

# ARDITO Mud-in-Plate

MIPA2R, MIPA2S, MIPA3R, MIPA3S, MIPA4R, MIPA4S

## CEILING CUTOUT

**Note:** For square trims, it is strongly recommended to use the cardboard drilling template included.

### Cutting Diameter:

2-1/2" Round Trims:  $\varnothing$  3-3/16" (81 mm)

3-1/2" Round Trims:  $\varnothing$  3-3/4" (95 mm)

4" Round Trims:  $\varnothing$  4-1/4" (108 mm)

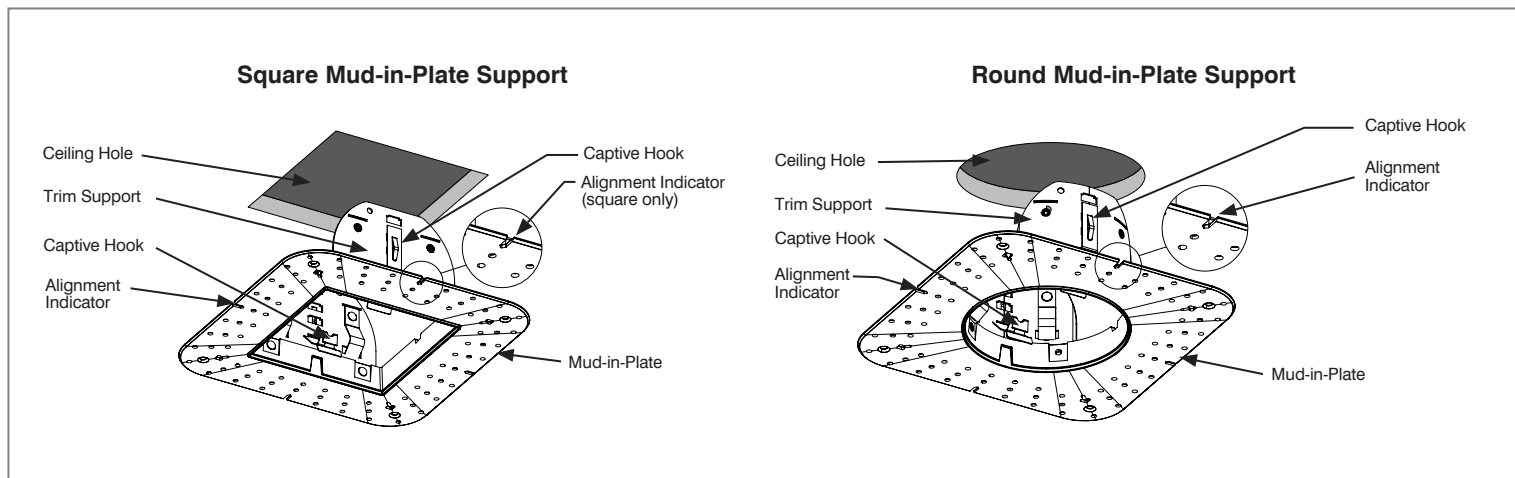
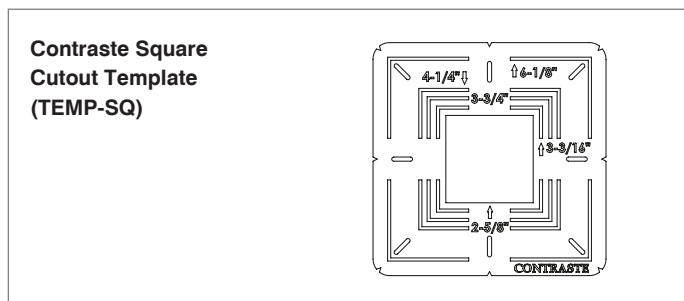
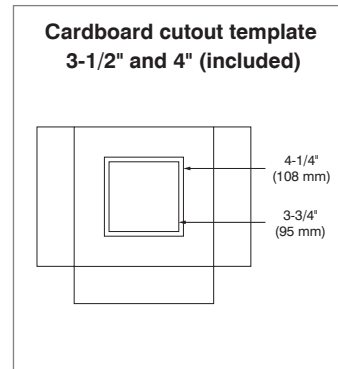
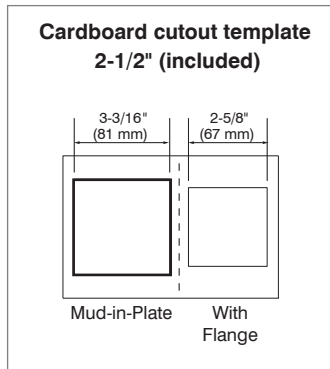
2-1/2" Square Trims: 3-3/16" x 3-3/16" (81 mm x 81 mm)

3-1/2" Square Trims: 3-3/4" x 3-3/4" (95 mm x 95 mm)

4" Square Trims: 4-1/4" x 4-1/4" (108 mm x 108 mm)

### Contraste Square Cutout Template (optional)

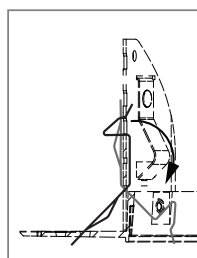
This steel cutout template is designed for all square size ceiling cutouts of Contraste trims.



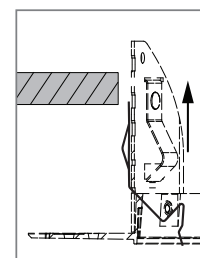
## MUD-IN-PLATE INSTALLATION

1. Unlock the upper part of the captive hooks on the mud-in-plate to release the hooks. Use the various adjustment holes on each side of the mud-in-plate and adjust the position of the captive hooks according to the thickness of the ceiling.

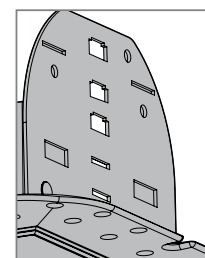
**Note:** Captive hooks are preinstalled for 1/2" (13 mm) ceiling thickness. Adjustment possibility up to 1-1/2" (38 mm) ceiling thickness.



Release the captive hook



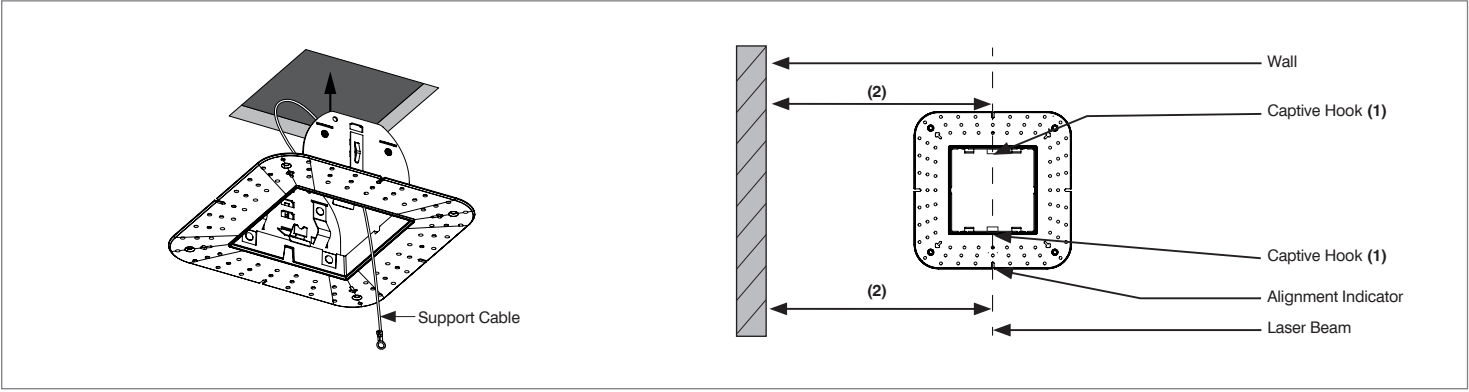
Captive hook insertion position



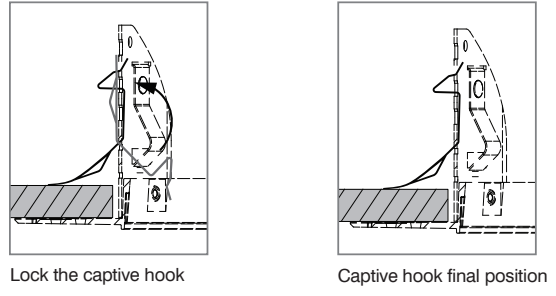
Captive hooks adjustment holes

- 2. Insert the trim support in the ceiling hole. Make sure the support cable stags accessible.

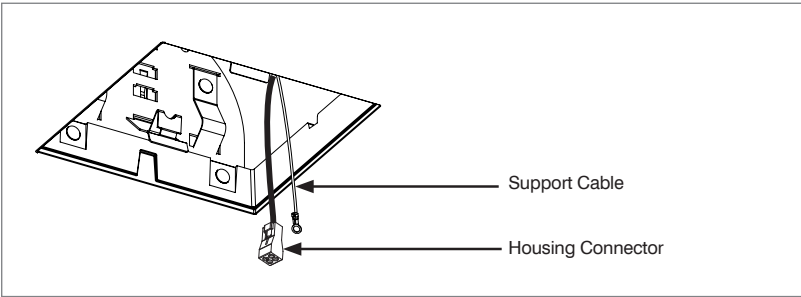
**IMPORTANT:** For square or round mud-in-plate support, make sure to install the captive hooks (1) perpendicularly to the wall (2).



- 3. Lock the captive hooks and make sure they apply a pressure against the ceiling to maintain the mud-in-plate firmly in place.



- 4. Plaster and paint the ceiling.
- 5. Pull the housing connector and the support cable out.



Please keep these instructions for future reference.



<p><b>WARNING</b> The use of other company's (non-Contraste) products or components (ex. trims) in conjunction with Contrast Lighting M.L. Inc. products may not be covered by UL approvals, and could be hazardous. Such use automatically voids all Contrast Lighting M.L. Inc. warranty and responsibility of these products.</p> <p><b>Due to constant evolution of dimmers we must test them regularly. We invite you to frequently visit our Web site to find our dimmer compatibility list: <a href="http://www.contrastlighting.com">www.contrastlighting.com</a></b></p>	<p><b>WARNING: RISK OF FIRE</b> Most dwellings built before 1985 have supply wires rated 60° C. Consult a qualified electrician before installing.</p> <p><b>It is very important not to exceed the lamp's indicated wattage.</b></p>
---	---

**WARRANTY:** CONTRAST LIGHTING M. L. INC. guarantees the components against manufacturing defects for a period of one (1) year, under normal use with proof of purchase. The obligation of the manufacturer consists in the cost of the components and does not cover the cost of labor and transport for replacement. For all claims, please contact your local supplier. See our Web site for additional warranty details. **Note:** 5-years warranty on driver and LED module.

**CONTRASTE**

1009, rue du Parc Industriel  
Lévis (Québec) G6Z 1C5 Canada  
Tel.: 1-888-839-4624  
Fax: 1-877-839-7057  
[contrastlighting.com](http://contrastlighting.com)  
[info@contrastlighting.com](mailto:info@contrastlighting.com)

© 2016 Contrast Lighting M.L. Inc.  
All rights reserved

EC691  
104242

Contrast Lighting M.L. Inc. reserves the right to make changes in specifications and/or to discontinue any product at any time without notice or obligation and will not be liable for any consequences resulting from the use of this publication.