

SPECIFICATION SHEET

Ardito LED - A2RFR

2-1/2" Series

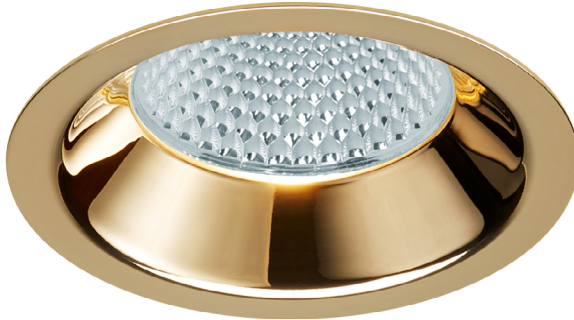
Ultra-Thin Profile Round Regressed Trim

Project _____

Notes _____

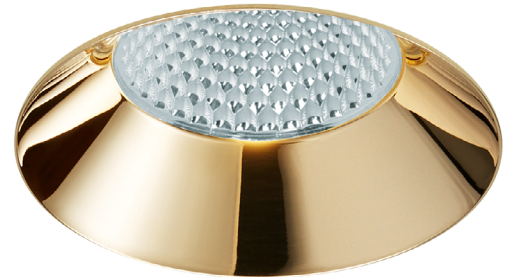
Fixture Type _____

Date _____



WITH FLANGE

A2RFR-03XXX (illustrated)



FLANGELESS TRIM

A2RFR-TR03XXX (illustrated)

Ultra-Thin Profile Downlight Round Regressed Trim, 2-1/2" high-efficiency dimmable LED. Offered in Remodel NON-IC (with optional mounting plate), new construction NON-IC and new construction IC configurations.



SPECIFICATIONS

TRIM DETAILS

Requires a 5" (127 mm) clearance beyond the ceiling level when used with remodel or new construction NON-IC housings.

When used with a flangeless configuration, the clearance beyond the ceiling level is 7" (178 mm).

Each part of the housing should be at LEAST 3" (76 mm) from insulation (non-IC configurations)

Can fit in ceiling from 1/2" (12 mm) to 1-3/8" (35 mm) thick

Accessible from below the ceiling for ease of maintenance.

HEAT SINK

High-quality injection molded aluminum heat sink ensuring maximum heat dissipation for optimal performance.

CEILING CUTOUT

ø 2-5/8" (67 mm) — Flanged Trim
ø 3-3/16" (81 mm) — Flangeless Trim

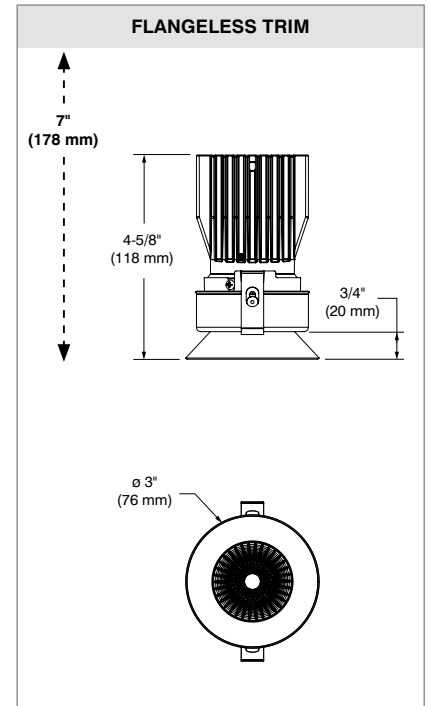
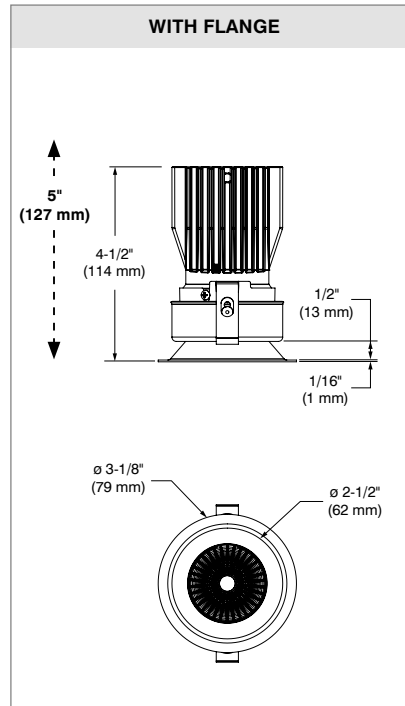
CERTIFICATION

- cULus **E343977** for damp locations
- Certified under California Energy Commission according to reference joint Appendix 8 (JA8-2016)
- Certified Air Tight ASTM E283

WARRANTY

1 year on components against manufacturing defects
 5 years on LED arrays and drivers

↑ Clearance beyond the ceiling level ↓



SPECIFICATION SHEET

Ardito LED - A2RFR

2-1/2" Series

Ultra-Thin Profile Round Regressed Trim

SPECIFICATIONS (CONT'D)

COMPATIBLE HOUSINGS

	Remodel Housing	New Construction Housing	Insulated Air Tight Housing (Title 24)
Performance 1 (14W)	REA2V1	NWA2RV1	ICAT0R2-ARV1

For dimming, please visit our Web site frequently to find our suggested compatible dimmers: www.contrastlighting.com

LIGHT ENGINE

STANDARD (SOLID WHITE)

Lumileds Luxeon CoB 1203 GEN3.

L₇₀ @ 50,000 hours of operation.

3-Step MacAdam ellipse (3 SDCM)

Color Temperatures: 2,700K - 3,000K - 3,500K - 4,000K

CRI: 90+

R9: >50

Delivered Lumens: Performance 1 (14W) up to 1,375 lumens (95 lm/W)

Power Supply: 120V / 277V (universal input)

One driver available in performance 1 (14W) and offering 2 dimming options within the same unit:

ELV: 120V only

0-10V: 120V / 277V

Consult housing specification sheet for more details.

OPTIC SYSTEM

Interchangeable optional optical reflectors and lenses available to customize your lighting.

**Choice of available lenses:
(also sold separately)****Clear (C)** **Frosted (F)****Honeycomb (H):** the honeycomb louver reduces glare**Linear (L):** the linear lens directs the lamp beam to create a strip of light**Prismatic (P):** the prismatic lens diffuses and spreads the light in an even overall pattern**Solite (S):** the solite lens softens the light in an even overall pattern**Optical reflectors available:** Spot, Narrow Flood, Flood and Wide Flood**Standard**

Spot (S)	15°
Narrow Flood (M)	24°
Flood (L)	36°
Wide Flood (V)	60°

Average beams shown. Consult .ies files on our Web site for more details.**CONTRASTE**2018-03
Revision 1

PRINTED IN CANADA

1009, rue du Parc Industriel
Lévis (Québec) G6Z 1C5 Canada
Tel.: 1-888-839-4624
Fax.: 1-877-839-7057
contrastlighting.com
info@contrastlighting.com© 2018 Contraste Lighting M.L. Inc.
All rights reserved

Contrast Lighting M.L. Inc. reserves the right to make changes in specifications and/or to discontinue any product at any time without notice or obligation and will not be liable for any consequences resulting from the use of this publication.

SPECIFICATION SHEET

Ardito LED - A2RFR**2-1/2" Series****Ultra-Thin Profile Round Regressed Trim**

SPECIFICATIONS (CONT'D)

FLANGE AND REFLECTOR FINISHES Powder coat painted or plated die formed steel.

Different finishes available:

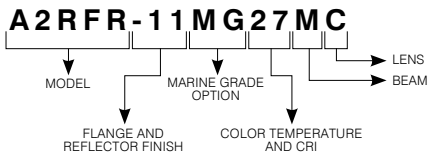
24K Gold Plated **(-03)**, Chrome **(-04)**, Brushed Chrome **(-04BR)**, Matte White **(-11)**, Brushed Nickel **(-12BR)**, Satin Nickel **(-13)**, Matte Black **(-22)** and Polar Grey **(-25)**

FLANGELESS TRIMS (OPTION) Perforated aluminum plate for flangeless product, allowing you to plaster up to the edge of the opening of the Ardito luminaire.
Mud-in-plate sold separately.

Ordering code: MIPA2R

Consult housing specification sheet for more details.

TRIM WITH FLANGE CODIFICATION EXAMPLE

TRIM WITH FLANGE ORDERING CODES **A2RFR**

MODEL	FLANGE AND REFLECTOR FINISHES	MARINE GRADE	COLOR TEMPERATURES AND CRI	BEAMS	LENSES
A2RFR					
A2RFR	-03 24K Gold Plated	MG (optional)	27 2,700K (90+ CRI)	S Spot (15°)	C Clear
	-04 Chrome	May be applied	30 3,000K (90+ CRI)	M Narrow Flood (24°)	F Frosted
	-04BR Brushed Chrome	on finishes:	35 3,500K (90+ CRI)	L Flood (36°)	H Honeycomb
	-11 Matte White	11, 22 and 25	40 4,000K (90+ CRI)	V Wide Flood (60°)	L Linear
	-12BR Brushed Nickel				P Prismatic
	-13 Satin Nickel				S Solite
	-22 Matte Black				
	-25 Polar Grey				

MARINE GRADE

2-year warranty on finish

This option increases the painted finishes resistance by reducing and delaying apparition and propagation of oxidation (ex: rust and others).

MARINE GRADE treatment is recommended for damp to wet locations.

Unless otherwise indicated, trims are for interior use. Also suitable for cold and exterior locations, as in soffits, where fixtures are not subject to direct rain or snow exposure.

WARNING – This option is not suitable for salt environments and/or highly corrosive areas such as soffits in coastal regions and natatoriums. Such usage would void warranty on the product.

CONTRASTE2018-03
Revision 1

PRINTED IN CANADA

1009, rue du Parc Industriel
Lévis (Québec) G6Z 1C5 Canada
Tel.: 1-888-839-4624
Fax.: 1-877-839-7057
contrastelighting.com
info@contrastelighting.com

© 2018 Contraste Lighting M.L. Inc.
All rights reserved

Contrast Lighting M.L. Inc. reserves the right to make changes in specifications and/or to discontinue any product at any time without notice or obligation and will not be liable for any consequences resulting from the use of this publication.

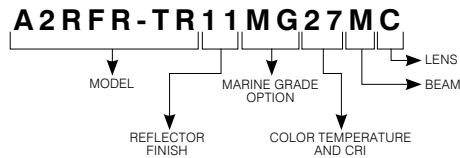
SPECIFICATION SHEET

Ardito LED - A2RFR

2-1/2" Series

Ultra-Thin Profile Round Regressed Trim

FLANGELESS TRIM OPTION — CODIFICATION EXAMPLE



Mud-in-plate required for use of flangeless trim
 (see ordering code below)

FLANGELESS TRIM OPTION — ORDERING CODES **A2RFR-TR**

MODEL	REFLECTOR FINISHES	MARINE GRADE	COLOR TEMPERATURES AND CRI	BEAMS	LENSES
A2RFR-TR					
A2RFR-TR	03 24K Gold Plated	MG (optional)	27 2,700K (90+ CRI)	S Spot (15°)	C Clear
	04 Chrome	May be applied	30 3,000K (90+ CRI)	M Narrow Flood (24°)	F Frosted
	04BR Brushed Chrome	on finishes:	35 3,500K (90+ CRI)	L Flood (36°)	H Honeycomb
	11 Matte White	11, 22 and 25	40 4,000K (90+ CRI)	V Wide Flood (60°)	L Linear
	12BR Brushed Nickel				P Prismatic
	13 Satin Nickel				S Solite
	22 Matte Black				
	25 Polar Grey				

MARINE GRADE

2-year warranty on finish

This option increases the painted finishes resistance by reducing and delaying apparition and propagation of oxidation (ex: rust and others).

MARINE GRADE treatment is recommended for damp to wet locations.

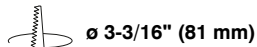
Unless otherwise indicated, trims are for interior use. Also suitable for cold and exterior locations, as in soffits, where fixtures are not subject to direct rain or snow exposure.

WARNING – This option is not suitable for salt environments and/or highly corrosive areas such as soffits in coastal regions and natatoriums. Such usage would void warranty on the product.

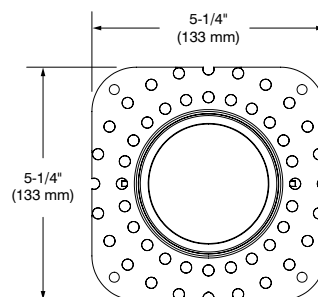
MUD-IN-PLATE

Required with the use of flangeless trims.

Consult housing specification sheet for more details.



Code: MIPA2R

**CONTRASTE**2018-03
Revision 1

PRINTED IN CANADA

1009, rue du Parc Industriel
 Lévis (Québec) G6Z 1C5 Canada
 Tel.: 1-888-839-4624
 Fax.: 1-877-839-7057
 contrastelighting.com
 info@contrastelighting.com

© 2018 Contraste Lighting M.L. Inc.
 All rights reserved

Contrast Lighting M.L. Inc. reserves the right to make changes in specifications and/or to discontinue any product at any time without notice or obligation and will not be liable for any consequences resulting from the use of this publication.

Ardito LED - A2RFR

2-1/2" Series

Ultra-Thin Profile Round Regressed Trim



ORDERING CODES

for replacement lenses and reflectors

For future on-site modifications of the light distribution.

Lenses (to modify light diffusion)

Clear (C): **103584**

Frosted (F): **316228**

Honeycomb (H): **103089**

Linear (L): **103092**

Prismatic (P): **103095**

Solite (S): **103098**

Reflectors (to modify the beam angle)

For a Spot (15°): **104419**

For a Narrow Flood (24°): **104420**

For a Flood (36°): **104421**

For a Wide Flood (60°): **104422**

PHOTOMETRIC DATA

In order to obtain the accurate photometric data, multiply the lumens relative to your product selection by the applicable factor(s). Take note these factors also need to be implemented in the .ies files available on our website.

	Spot (15°)		Narrow Flood (24°)		Flood (36°)		Wide Flood (60°)	
2,700K with 90+ CRI	1,225 lm	85.1 lm/W	1,080 lm	75 lm/W	1,075 lm	74.6 lm/W	1,070 lm	74.3 lm/W
3,000K with 90+ CRI	1,270 lm	88.2 lm/W	1,115 lm	77.4 lm/W	1,110 lm	77.1 lm/W	1,105 lm	76.7 lm/W
3,500K with 90+ CRI	1,340 lm	93.1 lm/W	1,180 lm	81.9 lm/W	1,175 lm	81.6 lm/W	1,170 lm	81.3 lm/W
4,000K with 90+ CRI	1,375 lm	95.5 lm/W	1,210 lm	84 lm/W	1,205 lm	83.7 lm/W	1,200 lm	83.3 lm/W

Lens Factors	
C	1
F	0.71
H	0.57

CONTRASTE

2018-03
Revision 1

PRINTED IN CANADA

1009, rue du Parc Industriel
Lévis (Québec) G6Z 1C5 Canada
Tel.: 1-888-839-4624
Fax.: 1-877-839-7057
contrastelighting.com
info@contrastelighting.com

© 2018 Contraste Lighting M.L. Inc.
All rights reserved

Contrast Lighting M.L. Inc. reserves the right to make changes in specifications and/or to discontinue any product at any time without notice or obligation and will not be liable for any consequences resulting from the use of this publication.

Ardito LED - A2RFR

2-1/2" Series

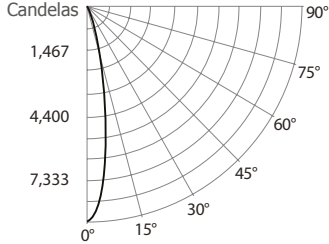
Ultra-Thin Profile Round Regressed Trim

PHOTOMETRIC DATA



3,000K, 90+ CRI, Spot, performance 1

CANDLEPOWER DISTRIBUTION



LIGHT CONE

Distance	FC	DIA
06'	242.1	1.7'
08'	136.2	2.3'
10'	87.2	2.8'
12'	60.5	3.4'
14'	44.5	4.0'
16'	34.0	4.5'

Beam: 16°
Beam Edge defined as 50% of Maximum Nadir Candle-power.

LUMINAIRE

Performance 1 LED	3,000K	Spot
CBCP / Lumens	8,715	/ 1,267.3
Watts	120V	277V
	14.4W	14.9W
Operating AMPS	0.12A	0.054A
Lumen Maintenance	L70 @ 50,000 Hrs	
CRI	90+	
Lumens/Watt	88	
Spacing Criteria	0.07	

COEFFICIENT OF UTILIZATION - %

Ceiling Reflect %	80	50	30
Wall Reflect %	50	30	50 30 50 30
RCR	0	119 119	111 111 106 106
	2	108 105	103 101 100 99
	4	100 96	97 94 95 92
	6	93 89	91 88 90 87
	8	87 83	86 83 85 82
	10	83 79	82 78 81 78

Zonal Cavity Method
Effective Floor Cavity Reflectance 20%

ZONAL LUMEN SUMMARY

ZONE	LUMENS	%LUMINAIRE
0-30	1,114.8	94.8%
0-40	1,176.1	100%
0-60	1,176.1	100%
60-90	0.0	0%
0-180	1,176.1	100%

MULTIPLE UNIT DATA - (RCR 2)

SPACING ON CENTER	INITIAL FOOTCANDLES	WATTS/SQ. FT.
5'	59	0.64
6'	33	0.36
7'	23	0.25
8'	23	0.25
9'	15	0.16

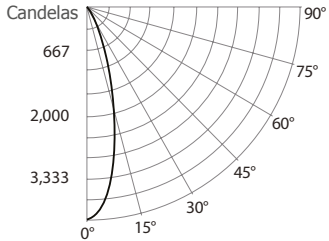
38' x 38' x 10' Room. Workplan located 2-1/2' (30").
Reflectance factor 80%/50%/30%

CANDELAS DISTRIBUTION

DEGREES/VERTICAL	CANDELAS	DEGREES/VERTICAL	CANDELAS
0	8,715	40	0
5	6,473	50	0
10	3,037	60	0
15	1,150	70	0
20	724	80	0
25	535	90	0
30	328		

3,000K, 90+ CRI, Narrow Flood, performance 1

CANDLEPOWER DISTRIBUTION



LIGHT CONE

Distance	FC	DIA
06'	111	2.9'
08'	62.5	3.9'
10'	39.9	4.8'
12'	27.8	5.8'
14'	20.4	6.7'
16'	15.6	7.7'

Beam: 27°
Beam Edge defined as 50% of Maximum Nadir Candle-power.

LUMINAIRE

Performance 1 LED	3,000K	Narrow Flood
CBCP / Lumens	3,997	/ 1,133.8
Watts	120V	277V
	14.4W	14.9W
Operating AMPS	0.12A	0.054A
Lumen Maintenance	L70 @ 50,000 Hrs	
CRI	90+	
Lumens/Watt	78.7	
Spacing Criteria	0.12	

COEFFICIENT OF UTILIZATION - %

Ceiling Reflect %	80	50	30
Wall Reflect %	50	30	50 30 50 30
RCR	0	119 119	111 111 106 106
	2	107 104	102 100 99 97
	4	97 93	94 91 92 90
	6	90 85	87 84 86 83
	8	83 79	82 78 81 77
	10	77 73	76 73 76 72

Zonal Cavity Method
Effective Floor Cavity Reflectance 20%

ZONAL LUMEN SUMMARY

ZONE	LUMENS	%LUMINAIRE
0-30	1,055.6	93.1%
0-40	1,130.2	99.7%
0-60	1,133.8	100%
60-90	0.0	0%
0-90	1,133.8	100%

MULTIPLE UNIT DATA - (RCR 2)

SPACING ON CENTER	INITIAL FOOTCANDLES	WATTS/SQ. FT.
5'	56	0.64
6'	32	0.36
7'	22	0.25
8'	22	0.25
9'	14	0.16

38' x 38' x 10' Room. Workplan located 2-1/2' (30").
Reflectance factor 80%/50%/30%

CANDELAS DISTRIBUTION

DEGREES/VERTICAL	CANDELAS	DEGREES/VERTICAL	CANDELAS
0	3,997	40	14
5	3,654	50	1
10	2,742	60	0
15	1,699	70	0
20	944	80	0
25	570	90	0
30	337		

Ardito LED - A2RFR

2-1/2" Series

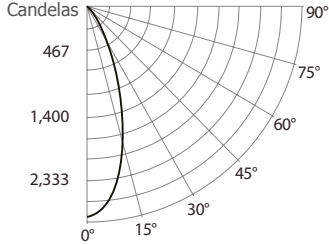
Ultra-Thin Profile Round Regressed Trim

PHOTOMETRIC DATA



3,000K, 90+ CRI, Flood performance 1

CANDLEPOWER DISTRIBUTION



LIGHT CONE

Distance	FC	DIA
06'	76.3	3.7'
08'	42.9	5.0'
10'	27.5	6.2'
12'	19.1	7.5'
14'	14	8.7'
16'	10.7	10'

Beam: 35°
Beam Edge defined as 50% of Maximum Nadir Candle-power.

LUMINAIRE

Performance 1 LED	3,000K Flood
CBCP / Lumens	2,745 / 1,084.3
Watts	120V 277V 14.4W 14.9W
Operating AMPS	0.12A 0.054A
Lumen Maintenance	L70 @ 50,000 Hrs
CRI	90+
Lumens/Watt	75.3
Spacing Criteria	0.15

COEFFICIENT OF UTILIZATION - %

Ceiling Reflect %	80		50		30		
Wall Reflect %	50	30	50	30	50	30	
RCR	0	119	119	111	111	106	106
	2	106	103	101	99	98	96
	4	96	91	93	89	91	88
	6	87	83	85	81	84	80
	8	80	75	79	75	78	74
	10	74	70	73	69	72	69

Zonal Cavity Method
Effective Floor Cavity Reflectance 20%

ZONAL LUMEN SUMMARY

ZONE	LUMENS	%LUMINAIRE
0-30	997.4	92%
0-40	1065.6	98.3%
0-60	1081.4	99.7%
60-90	2.9	0.3%
0-180	1084.3	100%

MULTIPLE UNIT DATA - (RCR 2)

SPACING ON CENTER	INITIAL FOOTCANDLES	WATTS/SQ. FT.
5'	54	0.64
6'	30	0.36
7'	21	0.25
8'	21	0.25
9'	13	0.16

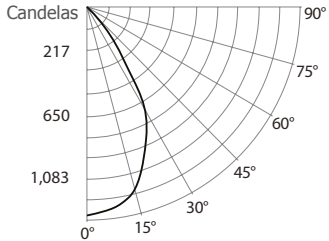
38' x 38' x 10' Room. Workplan located 2-1/2' (30").
Reflectance factor 80%/50%/30%

CANDELAS DISTRIBUTION

DEGREES/VERTICAL	CANDELAS	DEGREES/VERTICAL	CANDELAS
0	2,745	40	22
5	2,612	50	8
10	2,246	60	5
15	1,659	70	1
20	1,083	80	0
25	677	90	0
30	338		

3,000K, 90+ CRI, Wide Flood, performance 1

CANDLEPOWER DISTRIBUTION



LIGHT CONE

Distance	FC	DIA
06'	35.7	7.1'
08'	20.1	9.5'
10'	12.9	11.9'
12'	8.9	14.2'
14'	6.6	16.6'
16'	5.0	19.0'

Beam: 61°
Beam Edge defined as 50% of Maximum Nadir Candle-power.

LUMINAIRE

Performance 1 LED	3,000K Wide Flood
CBCP / Lumens	1,285 / 1,211.5
Watts	120V 277V 14.4W 14.9W
Operating AMPS	0.12A 0.054A
Lumen Maintenance	L70 @ 50,000 Hrs
CRI	90+
Lumens/Watt	84.1
Spacing Criteria	0.25

COEFFICIENT OF UTILIZATION - %

Ceiling Reflect %	80		50		30		
Wall Reflect %	50	30	50	30	50	30	
RCR	0	119	119	111	111	106	106
	2	103	98	98	95	95	92
	4	89	83	85	81	83	80
	6	78	71	75	70	74	69
	8	68	62	67	61	66	61
	10	61	55	60	54	59	54

Zonal Cavity Method
Effective Floor Cavity Reflectance 20%

ZONAL LUMEN SUMMARY

ZONE	LUMENS	%LUMINAIRE
0-30	829.0	68.4%
0-40	1,070.9	88.4%
0-60	1,206.8	99.6%
60-90	4.7	0.4%
0-90	1,211.5	100%

MULTIPLE UNIT DATA - (RCR 2)

SPACING ON CENTER	INITIAL FOOTCANDLES	WATTS/SQ. FT.
5'	58	0.64
6'	33	0.36
7'	23	0.25
8'	23	0.25
9'	15	0.16

38' x 38' x 10' Room. Workplan located 2-1/2' (30").
Reflectance factor 80%/50%/30%

CANDELAS DISTRIBUTION

DEGREES/VERTICAL	CANDELAS	DEGREES/VERTICAL	CANDELAS
0	1,285	40	208
5	1,275	50	71
10	1,239	60	9
15	1,135	70	1
20	992	80	0
25	864	90	0
30	685		