

# Ardito LED - A2SFR

2-1/2" Series

## Ultra-Thin Profile Square Regressed Trim

Project \_\_\_\_\_

Notes \_\_\_\_\_

Fixture Type \_\_\_\_\_

Date \_\_\_\_\_



**WITH FLANGE**  
A2SFR-13 (illustrated)



**FLANGELESS TRIM**  
A2SFR-13TR (illustrated)

Ultra-Thin Profile Square Downlight Regressed Trim, 2-1/2" high efficiency dimmable LED. Offered in Remodel configuration (NON-IC), with optional mounting plate for a new construction configuration (NON-IC) and new construction (IC).

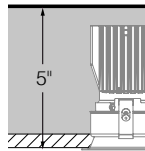


### SPÉCIFICATIONS

COLOR TEMPERATURE	2,700K - 3,000K - 3,500K - 4,000K
CRI	90+

POWER SUPPLY	120V - 277V One driver available in performance 1 (14W) and offering 2 dimming options within the same unit: ELV: 120V (14W) (120V only) 0-10V: 120V (14W) (120V/277V) Consult housing specification sheet for more details.
--------------	--

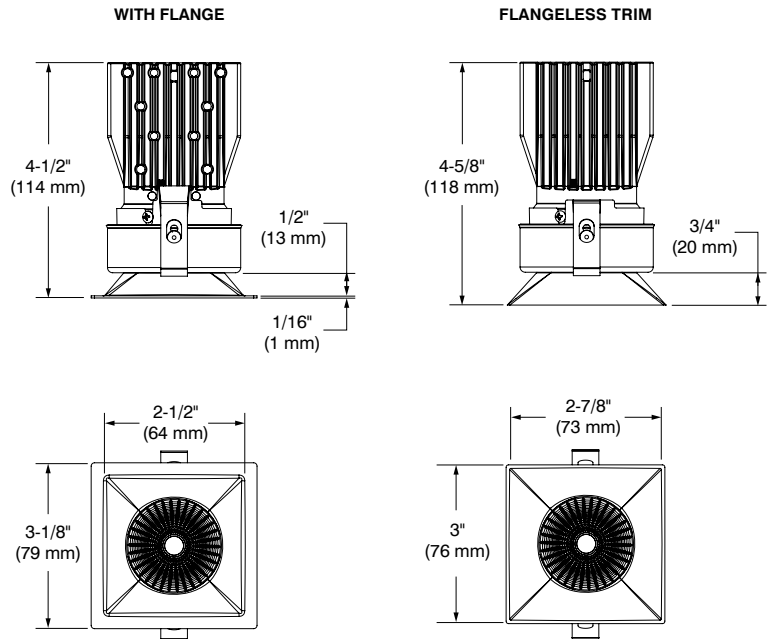
Requires a 5" (127 mm) clearance beyond the ceiling level when used with remodel housing.



Each part of the housing should be at LEAST 3" (76 mm) from insulation (Non-IC configurations).

### HOUSING DETAILS

Can fit in ceiling from 1/2" (12 mm) to 1-3/8" (35 mm) thick.  
Accessible from below the ceiling for ease of maintenance.



# Ardito LED - A2SFR

**2-1/2" Series****Ultra-Thin Profile Square Regressed Trim**

## SPECIFICATIONS (CONT'D)

	Remodel Housing	Insulated Air Tight Housing (Title 24)
COMPATIBLE HOUSINGS	<b>Performance 1 (14W)</b>	ICAT0S2-ARV1
	REA2V1	
	For dimming, please visit our Web site frequently to find our suggested compatible dimmers: <b>www.contrastlighting.com</b>	
MUD-IN-PLATE	<b>MIPA2S</b> (sold separately) Required with the use of flangeless trims	
DELIVERED LUMENS	<b>Performance 1 (14W):</b> 1,037 lumens @ 3,000K, 78,5 lm/W	
LED ARRAY	Lumileds Luxeon CoB 1203 delivers a lumen maintenance greater than 70% after 50,000 hours of operation (L <sub>70</sub> ) and provides a high quality true color and a clean white light without hot spots. Color binning within 3 steps on MacAdam ellipse which surpasses ANSI binning requirements.	
	Powder coated paint or plated die formed steel.	
TRIM FINISHES	<b>Different finishes available:</b> 24K Gold Plated <b>(-03)</b> , Brushed Chrome <b>(-04BR)</b> , Matte White <b>(-11)</b> , Brushed Nickel <b>(-12BR)</b> , Satin Nickel <b>(-13)</b> , Matte Black <b>(-22)</b> and Natural Anodized Aluminum <b>(-AN)</b>	
	Interchangeable optional optical reflectors and lenses available to customize your lighting. <b>Choice of available lenses:</b> Clear <b>(C)</b> (included) <b>Accessories (sold separately):</b> Frosted <b>(F)</b> , Honeycomb <b>(H)</b> , Linear <b>(L)</b> , Prismatic <b>(P)</b> and Solite <b>(S)</b>	
OPTIC SYSTEM	<b>Optical reflectors available:</b>	
	<b>Beams</b>	
	Narrow Flood <b>(M)</b>	24°
	Flood <b>(W)</b>	45°
	<b>Average beams shown. Consult .ies files on our Web site for more details.</b>	

# CONTRASTE

1009, rue du Parc Industriel  
Lévis (Québec) G6Z 1C5 Canada  
Tel.: 1-888-839-4624  
Fax.: 1-877-839-7057  
contrastlighting.com  
info@contrastlighting.com

© 2017 Contrast Lighting M.L. Inc.  
All rights reserved

Contrast Lighting M.L. Inc. reserves the right to make changes in specifications and/or to discontinue any product at any time without notice or obligation and will not be liable for any consequences resulting from the use of this publication.

## SPECIFICATION SHEET

**Ardito LED - A2SFR**

2-1/2" Series

**Ultra-Thin Profile Square Regressed Trim**

## SPECIFICATIONS (CONT'D)

HEAT SINK High quality aluminum injected heat sink ensuring maximum heat dissipation

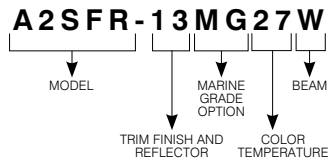
CEILING CUTOUT **2-5/8" x 2-5/8" (67 mm x 67 mm) — Flanged Trim**  
**3-3/16" x 3-3/16" (81 mm x 81 mm) — Flangless Trim**

**Included:** Cardboard cutout template  
**Optional:** Reusable steel cutout template for square trim (**TEMP-SQ**)

CERTIFICATION • cULus **E343977** for damp locations  
 • Air Tight when used with ICAT Housing

WARRANTY 1 year on components against manufacturing defects  
 5 years on LED arrays and drivers

## TRIM WITH FLANGE CODIFICATION EXAMPLE

TRIM WITH FLANGE ORDERING CODES **A2SFR**

MODEL	TRIM AND REFLECTOR FINISHES	MARINE GRADE	COLOR TEMPERATURES	BEAMS
<b>A2SFR</b>				
<b>A2SFR</b>	<b>-03</b> 24K Gold Plated	<b>MG</b> (optional)	<b>27</b> 2,700K (90 of CRI)	<b>M</b> Narrow Flood (24°)
	<b>-04BR</b> Brushed Chrome	May be applied	<b>30</b> 3,000K (90 of CRI)	<b>W</b> Flood (45°)
	<b>-11</b> Matte White	on finishes:	<b>35</b> 3,500K (90 of CRI)	
	<b>-12BR</b> Brushed Nickel	-11, -22 and -AN	<b>40</b> 4,000K (90 of CRI)	
	<b>-13</b> Satin Nickel			
	<b>-22</b> Matte Black			
	<b>-AN</b> Natural Anodized Aluminum			

**CONTRASTE**

1009, rue du Parc Industriel  
 Lévis (Québec) G6Z 1C5 Canada  
 Tel.: 1-888-839-4624  
 Fax.: 1-877-839-7057  
 contrastlighting.com  
 info@contrastlighting.com

© 2017 Contrast Lighting M.L. Inc.  
 All rights reserved

Contrast Lighting M.L. Inc. reserves the right to make changes in specifications and/or to discontinue any product at any time without notice or obligation and will not be liable for any consequences resulting from the use of this publication.

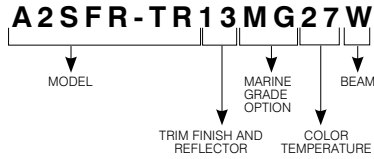
# Ardito LED - A2SFR

2-1/2" Series

## Ultra-Thin Profile Square Regressed Trim



FLANGELESS TRIM OPTION  
CODIFICATION EXAMPLE



Mud-in-plate required for use of flangeless trim (see ordering code below)

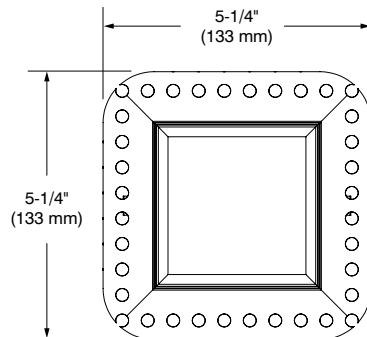
### FLANGELESS TRIM OPTION ORDERING CODES **A2SFR-TR**

MODEL	REFLECTOR FINISHES	MARINE GRADE	COLOR TEMPERATURES	BEAMS
<b>A2SFR-TR</b>				
<b>A2SFR-TR</b>	<b>03</b> 24k Gold Plated	<b>MG</b> (optional)	<b>27</b> 2,700K (90 of CRI)	<b>M</b> Narrow Flood (24°)
	<b>04BR</b> Brushed Chrome	May be applied	<b>30</b> 3,000K (90 of CRI)	<b>W</b> Flood (45°)
	<b>11</b> Matte White	on finishes:	<b>35</b> 3,500K (90 of CRI)	
	<b>12BR</b> Brushed Nickel	11, 22 and AN	<b>40</b> 4,000K (90 of CRI)	
	<b>13</b> Satin Nickel			
	<b>22</b> Matte Black			
	<b>AN</b> Natural Anodized Aluminum			

### MUD-IN-PLATE

Required with the use of flangeless trims.

Code: MIPA2S



# Ardito LED - A2SFR

2-1/2" Series

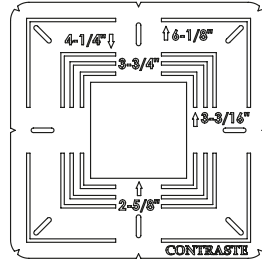
## Ultra-Thin Profile Square Regressed Trim



### REUSABLE TEMPLATE OPTION

Reusable steel cutout template for square trim

Code: **TEMP-SQ**



### ORDERING CODES for replacement lenses and reflectors

For future on-site modifications of the light distribution.

#### Lenses (to modify light diffusion)

Clear: **103584** (included)

Frosted: **316228**

Linear: **103092**

Solite: **104038**

Prismatic: **103095**

Honeycomb: **103089**

#### Reflectors (to modify the beam angle)

For a Narrow Flood (24°): **103901**

For a Flood (45°): **103902**

# CONTRASTE

1009, rue du Parc Industriel  
Lévis (Québec) G6Z 1C5 Canada  
Tel.: 1-888-839-4624  
Fax.: 1-877-839-7057  
contrastlighting.com  
info@contrastlighting.com

© 2017 Contrast Lighting M.L. Inc.  
All rights reserved

Contrast Lighting M.L. Inc. reserves the right to make changes in specifications and/or to discontinue any product at any time without notice or obligation and will not be liable for any consequences resulting from the use of this publication.

# Ardito LED - A2SFR

2-1/2" Series

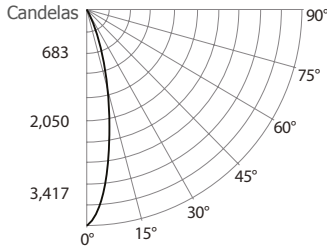
Ultra-Thin Profile Square Regressed Trim

PHOTOMETRIC DATA



### 3,000K, 90+ CRI, Narrow Flood, performance 1

#### CANDLEPOWER DISTRIBUTION



#### LIGHT CONE

Distance	FC	DIA
06'	113	2.5
08'	63.6	3.4
10'	40.7	4.2
12'	28.3	5.1
14'	20.8	5.9
16'	15.9	6.7

Beam: 24°  
Beam Edge defined as 50% of Maximum Nadir Candle-power.

#### LUMINAIRE

<b>Performance 1 LED</b>	3,000K	Narrow Flood
<b>CBCP / Lumens</b>	4,068	/ 1,037
<b>Watts</b>	<b>120V</b>	<b>277V</b>
	13.2W	13.7W
<b>Operating AMPS</b>	0.11A	0.049A
<b>Lumen Maintenance</b>	L70 @ 50,000 Hrs	
<b>CRI</b>	90+	
<b>Lumens/Watt</b>	78.5	
<b>Spacing Criteria</b>	0.77	

#### COEFFICIENT OF UTILIZATION - %

Ceiling Reflect %	80			50			30			
Wall Reflect %	50	30	50	30	50	30	50	30	50	30
<b>RCR</b>	0	119	119	111	111	106	106	106	106	106
	2	107	104	102	100	99	98	98	98	98
	4	98	94	95	91	93	90	90	90	90
	6	90	86	88	84	87	84	84	84	84
	8	84	79	82	79	81	78	78	78	78
	10	78	74	77	74	77	73	73	73	73

Zonal Cavity Method  
Effective Floor Cavity Reflectance 20%

#### ZONAL LUMEN SUMMARY

ZONE	LUMENS	%LUMINAIRE
0-30	976.3	94.1%
0-40	1,036.4	99.9%
0-60	1,036.9	100%
60-90	0.0	0%
0-180	1,037	100%

#### MULTIPLE UNIT DATA - (RCR 2)

SPACING ON CENTER	INITIAL FOOTCANDLES	WATTS/ SQ. FT.
5'	49	0.59
6'	28	0.33
7'	19	0.23
8'	19	0.23
9'	12	0.15

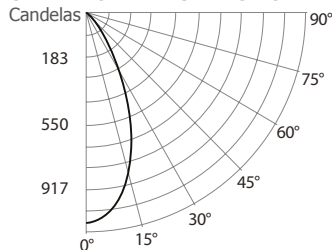
38' x 38' x 10' Room. Workplan located 2-1/2' (30").  
Reflectance factor 80%/50%/30%

#### CANDELAS DISTRIBUTION

DEGREES/ VERTICAL	CANDELAS	DEGREES/ VERTICAL	CANDELAS
0	4,068	40	1
5	3,507	50	0
10	2,422	60	0
15	1,397	70	0
20	783	80	0
25	494	90	0
30	255		

### 3,000K, 90+ CRI, Flood, performance 1

#### CANDLEPOWER DISTRIBUTION



#### LIGHT CONE

Distance	FC	DIA
06'	50.9	5.0
08'	28.6	6.7
10'	18.3	8.3
12'	12.7	10.0
14'	9.3	11.7
16'	7.2	13.4

Beam: 45°  
Beam Edge defined as 50% of Maximum Nadir Candle-power.

#### LUMINAIRE

<b>Performance 1 LED</b>	3,000K	Flood
<b>CBCP / Lumens</b>	1,832	/ 976
<b>Watts</b>	<b>120V</b>	<b>277V</b>
	14.2W	14.7W
<b>Operating AMPS</b>	0.12A	0.053A
<b>Lumen Maintenance</b>	L70 @ 50,000 Hrs	
<b>CRI</b>	90+	
<b>Lumens/Watt</b>	68.7	
<b>Spacing Criteria</b>	0.99	

#### COEFFICIENT OF UTILIZATION - %

Ceiling Reflect %	80			50			30			
Wall Reflect %	50	30	50	30	50	30	50	30	50	30
<b>RCR</b>	0	119	119	111	111	106	106	106	106	106
	2	106	102	101	98	98	98	96	98	96
	4	95	90	92	88	90	87	87	87	87
	6	86	81	84	80	82	79	79	82	79
	8	78	73	77	72	76	72	72	76	72
	10	72	674	71	66	70	66	66	70	66

Zonal Cavity Method  
Effective Floor Cavity Reflectance 20%

#### ZONAL LUMEN SUMMARY

ZONE	LUMENS	%LUMINAIRE
0-30	889.2	91.1%
0-40	972.2	99.9%
0-60	975.6	100%
60-90	0.4	0%
0-90	976	100%

#### MULTIPLE UNIT DATA - (RCR 2)

SPACING ON CENTER	INITIAL FOOTCANDLES	WATTS/ SQ. FT.
5'	46	0.63
6'	26	0.35
7'	18	0.25
8'	18	0.25
9'	11	0.16

38' x 38' x 10' Room. Workplan located 2-1/2' (30").  
Reflectance factor 80%/50%/30%

#### CANDELAS DISTRIBUTION

DEGREES/ VERTICAL	CANDELAS	DEGREES/ VERTICAL	CANDELAS
0	1,832	40	14
5	1,793	50	1
10	1,666	60	0
15	1,440	70	0
20	1,119	80	0
25	737	90	0
30	370		

# CONTRASTE

1009, rue du Parc Industriel  
Lévis (Québec) G6Z 1C5 Canada  
Tel.: 1-888-839-4624  
Fax.: 1-877-839-7057  
contrastlighting.com  
info@contrastlighting.com

© 2017 Contrast Lighting M.L. Inc.  
All rights reserved

Contrast Lighting M.L. Inc. reserves the right to make changes in specifications and/or to discontinue any product at any time without notice or obligation and will not be liable for any consequences resulting from the use of this publication.