

# Ardito LED - A3RSF

3-1/2" Series

Project \_\_\_\_\_

Notes \_\_\_\_\_

Fixture Type \_\_\_\_\_

Date \_\_\_\_\_

## Ultra-Thin Profile Round Regressed Shower Trim



**WITH FLANGE**

A3RSF-1111 - XXX (illustrated)



**FLANGELESS TRIM**

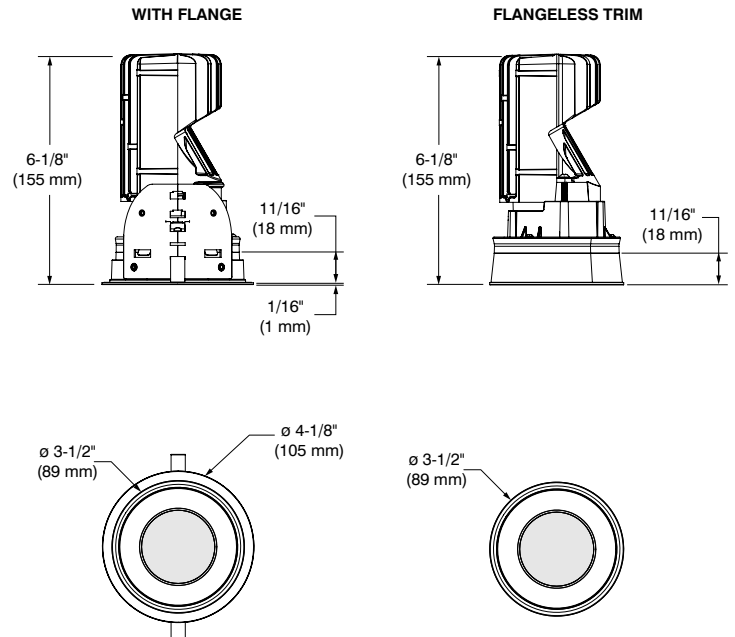
A3RSF-TR11 - XXX (illustrated)

Aluminum round, 3-1/2" high efficiency regressed shower dimmable LED downlight trim. May be installed with a low profile ultra-thin flange or flangeless trim in configuration for insulated, non-insulated and remodel (non-IC) ceilings.



### SPECIFICATIONS

|                |  |
|----------------|--|
| TRIM DETAILS   | <p>Requires a 6-1/2" (165 mm) clearance beyond the ceiling level.</p> <p>Perfect fit into ceiling</p> <p>Each part of the housing should be at LEAST 3" (76 mm) from insulation (non-IC configurations)</p> <p>Can fit in ceilings up to 1-1/2" (38 mm) thick</p> <p>Junction box is accessible from below the ceiling for ease of maintenance</p> |
| HEAT SINK      | High quality injection molded aluminum heat sink ensuring maximum heat dissipation for optimal performance.  |
| CEILING CUTOUT | <b>ø 3-3/4" (95 mm)</b>  |
| CERTIFICATION  | <ul style="list-style-type: none"> <li>cULus <b>E343977</b> for wet locations</li> <li>Certified under California Energy Commission according to reference joint Appendix 8 (JA8-2016)</li> <li>Certified Air Tight ASTM E283</li> </ul>   |
| WARRANTY       | <p>1 year on components against manufacturing defects</p> <p>5 years on LED arrays and drivers</p>   |



# Ardito LED - A3RSF

3-1/2" Series

## Ultra-Thin Profile Round Regressed Shower Trim



### SPECIFICATIONS (CONT'D)

COMPATIBLE HOUSINGS

|                            | Remodel Housing | New Construction Housing | Insulated Housing | Insulated Air Tight Housing (Title 24) |  | Ceiling thickness suggested for insulated housing as a using standard.                        |
|----------------------------|-----------------|--------------------------|-------------------|--|--|---|
| <b>Performance 1 (14W)</b> | REA3V1          | NWA3RV1                  | *ISA3RV1          | *ICAT6R3-ARV1                          |  | * Ceiling thickness must be at least 1/4" (6.4 mm) for insulated housing as a using standard. |
| <b>Performance 2 (23W)</b> | REA3V2          | NWA3RV2                  | *ISA3RV2          | *ICAT6R3-ARV2                          |  |   |

For dimming, please visit our Web site frequently to find suggested compatible dimmer list: [www.contrastlighting.com](http://www.contrastlighting.com)

### LIGHT ENGINE

**STANDARD (SOLID WHITE)**

Lumileds Luxeon CoB 1205 GEN3.

L<sub>70</sub> @ 50,000 hours of operation.

3-Step MacAdam ellipse (3 SDCM)

Color Temperatures: 2,700K - 3,000K - 3,500K - 4,000K

CRI: 90+ (93 typical)

R9: >50

|  |                       |
|--|-----------------------|
| Delivered Lumens: Performance 1 (14W) - 1,257 lumens @ 3,000K, 89.8 lm/W | } <b>Clear lens</b>   |
| Performance 2 (23W) - 1,878 lumens @ 3,000K, 81.7 lm/W                   |                       |
| Performance 1 (14W) - 945 lumens @ 3,000K, 67.5 lm/W                     | } <b>Frosted lens</b> |
| Performance 2 (23W) - 1,392 lumens @ 3,000K, 60.5 lm/W                   |                       |

Power Supply: 120V / 277V (universal input)

One driver available in 2 performances (14W and 23W) and offering 2 dimming options within the same unit:

ELV: 120V only

0-10V: 120V / 277V

Consult housing specification sheet for more details.

### OPTIC SYSTEM

Interchangeable optional optical lenses available to customize your lighting.

**Choice of available lenses:**

**Clear (C)**

**Frosted (F)**

|   |     |
|---|-----|
| Flood (L) — with clear and frosted lens | 40° |
|---|-----|

\* Consult .ies files on our Website for more details.

SPECIFICATION SHEET

# Ardito LED - A3RSF

3-1/2" Series

## Ultra-Thin Profile Round Regressed Shower Trim



SPECIFICATIONS (CONT'D)

FLANGE FINISHES Powder coat painted or plated aluminum.

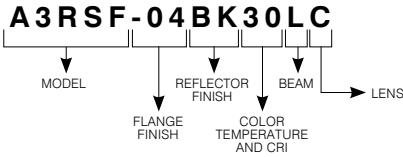
**Different finishes available:**

24K Gold Plated (-03), Chrome (-04), Brushed Chrome (-04BR), Matte White (-11), Brushed Nickel (-12BR), Satin Nickel (-13) and Matte Black (-22)

| REFLECTOR FINISHES | Specular   | Painted          |                                |
|--------------------|------------|------------------|--------------------------------|
|                    | Clear (CL) | Matte White (11) | Natural Anodized Aluminum (AN) |
|                    |            | Matte Black (22) | Black (BK)                     |

FLANGELESS TRIMS (OPTION) Perforated aluminum plate for flangeless product, allowing you to plaster up to the edge of the opening of the Ardito luminaire.  
Mud-in-plate sold separately.  
**Ordering code: MIPA3R**  
Consult housing specification sheet for more details.

TRIM WITH FLANGE CODIFICATION EXAMPLE



TRIM WITH FLANGE ORDERING CODES **A3RSF**

| MODEL        | FLANGE FINISHES             | REFLECTOR FINISHES                  | COLOR TEMPERATURE AND CRI  | BEAM  | LENSES           |
|--------------|-----------------------------|-------------------------------------|----------------------------|---|------------------|
| <b>A3RSF</b> |                             |                                     |                            | <b>L</b>  |                  |
| <b>A3RSF</b> | <b>-03</b> 24K Gold Plated  | <b>SPECULAR</b>                     | <b>27</b> 2,700K (90+ CRI) | <b>L</b> Flood beam for clear and frosted lens(40°) | <b>C</b> Clear   |
|              | <b>-04</b> Chrome           | <b>CL</b> Clear                     | <b>30</b> 3,000K (90+ CRI) |   | <b>F</b> Frosted |
|              | <b>-04BR</b> Brushed Chrome |                                     | <b>35</b> 3,500K (90+ CRI) |   |                  |
|              | <b>-11</b> Matte White      | <b>PAINTED</b>                      | <b>40</b> 4,000K (90+ CRI) |   |                  |
|              | <b>-12BR</b> Brushed Nickel | <b>11</b> Matte White               |                            |   |                  |
|              | <b>-13</b> Satin Nickel     | <b>22</b> Matte Black               |                            |   |                  |
|              | <b>-22</b> Matte Black      | <b>AN</b> Natural Anodized Aluminum |                            |   |                  |
|              |                             | <b>BK</b> Black                     |                            |   |                  |

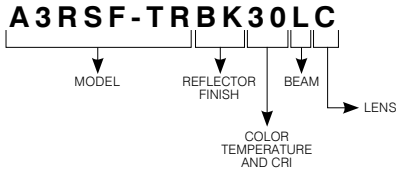
SPECIFICATION SHEET

# Ardito LED - A3RSF

3-1/2" Series

## Ultra-Thin Profile Round Regressed Shower Trim

FLANGELESS TRIM OPTION — CODIFICATION EXAMPLE



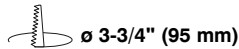
Mud-in-plate required for use of flangeless trim (see ordering code below)

FLANGELESS TRIM OPTION — ORDERING CODES **A3RSF-TR**

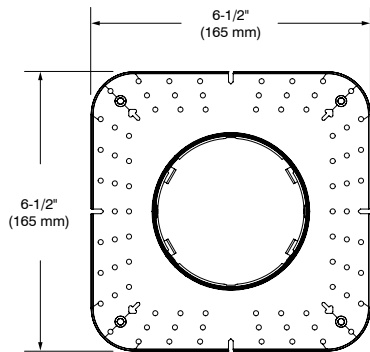
| MODEL           | REFLECTOR FINISHES                  | COLOR TEMPERATURE AND CRI  | BEAM   | LENSES           |
|-----------------|-------------------------------------|----------------------------|--|------------------|
| <b>A3RSF-TR</b> |                                     |                            | <b>L</b>   |                  |
| <b>A3RSF-TR</b> | <b>SPECULAR</b>                     | <b>27</b> 2,700K (90+ CRI) | <b>L</b> Flood beam for clear and frosted lens (40°) | <b>C</b> Clear   |
|                 | <b>CL</b> Clear                     | <b>30</b> 3,000K (90+ CRI) |  | <b>F</b> Frosted |
|                 | <b>PAINTED</b>                      | <b>35</b> 3,500K (90+ CRI) |  |                  |
|                 | <b>11</b> Matte White               | <b>40</b> 4,000K (90+ CRI) |  |                  |
|                 | <b>22</b> Matte Black               |                            |  |                  |
|                 | <b>AN</b> Natural Anodized Aluminum |                            |  |                  |
|                 | <b>BK</b> Black                     |                            |  |                  |

### MUD-IN-PLATE

Required with the use of flangeless trims. Consult housing specification sheet for more details.



Code: MIPA3R



### ORDERING CODES for replacement lenses

For future on-site modifications of the light distribution.

#### Lenses (to modify light diffusion)

Clear (C): **104036**  
 Frosted (F): **317240**

# Ardito LED - A3RSF

**3-1/2" Series****Ultra-Thin Profile Round Regressed Shower Trim**

PHOTOMETRIC DATA



In order to obtain the accurate photometric data, multiply the lumens relative to your product selection by the applicable factor(s). Take note these factors also need to be implemented in the .ies files available on our website.

**WITH PERFORMANCE 1 HOUSING (14W)**

|                            | Flood (40°) |           |
|----------------------------|-------------|-----------|
| <b>2,700K with 90+ CRI</b> | 1,214 lm    | 86.7 lm/W |
| <b>3,000K with 90+ CRI</b> | 1,258 lm    | 89.9 lm/W |
| <b>3,500K with 90+ CRI</b> | 1,319 lm    | 94.2 lm/W |
| <b>4,000K with 90+ CRI</b> | 1,353 lm    | 96.6 lm/W |

**WITH PERFORMANCE 2 HOUSING (23W)**

|                            | Flood (40°) |           |
|----------------------------|-------------|-----------|
| <b>2,700K with 90+ CRI</b> | 1,812 lm    | 78.8 lm/W |
| <b>3,000K with 90+ CRI</b> | 1,878 lm    | 81.7 lm/W |
| <b>3,500K with 90+ CRI</b> | 1,969 lm    | 85.6 lm/W |
| <b>4,000K with 90+ CRI</b> | 2,019 lm    | 87.8 lm/W |

| Lens Factors |      |
|--------------|------|
| <b>C</b>     | 1    |
| <b>F</b>     | 0.71 |

# CONTRASTE

2018-03  
Revision 1

PRINTED IN CANADA

1009, rue du Parc Industriel  
Lévis (Québec) G6Z 1C5 Canada  
Tel.: 1-888-839-4624  
Fax.: 1-877-839-7057  
contrastelighting.com  
info@contrastelighting.com

© 2018 Contraste Lighting M.L. Inc.  
All rights reserved

Contrast Lighting M.L. Inc. reserves the right to make changes in specifications and/or to discontinue any product at any time without notice or obligation and will not be liable for any consequences resulting from the use of this publication.

# Ardito LED - A3RSF

3-1/2" Series

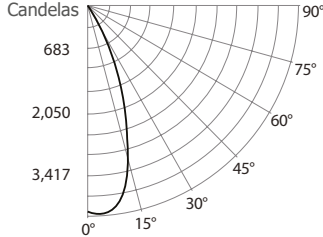
Ultra-Thin Profile Round Regressed Shower Trim

PHOTOMETRIC DATA



## 3,000K, 90+ CRI, Flood, Performance 1 — WITH CLEAR LENS

### CANDLEPOWER DISTRIBUTION



### LIGHT CONE

| Distance | FC   | DIA   |
|----------|------|-------|
| 06'      | 74.8 | 4.3'  |
| 08'      | 42.1 | 5.7'  |
| 10'      | 26.9 | 7.1'  |
| 12'      | 18.7 | 8.5'  |
| 14'      | 13.7 | 10.0' |
| 16'      | 10.5 | 11.4' |

Beam: 40°  
Beam Edge defined as 50% of Maximum Nadir Candle-power.

### LUMINAIRE

|                   |                  |        |
|-------------------|------------------|--------|
| Performance 1 LED | 3,000K Flood     |        |
| CBCP / Lumens     | 2,692 / 1,257.3  |        |
| Watts             | 120V             | 277V   |
|                   | 14W              | 14.5W  |
| Operating AMPS    | 0.12A            | 0.052A |
| Lumen Maintenance | L70 @ 50,000 Hrs |        |
| CRI               | 90+              |        |
| Lumens/Watt       | 89.9             |        |
| Spacing Criteria  | 0.68             |        |

### COEFFICIENT OF UTILIZATION - %

| Ceiling Reflect % | 80 |     | 50  |     | 30  |     |     |
|-------------------|----|-----|-----|-----|-----|-----|-----|
| Wall Reflect %    | 50 | 30  | 50  | 30  | 50  | 30  |     |
| RCR               | 0  | 119 | 119 | 111 | 111 | 106 | 106 |
|                   | 2  | 106 | 103 | 101 | 99  | 98  | 96  |
|                   | 4  | 96  | 91  | 93  | 89  | 91  | 88  |
|                   | 6  | 87  | 82  | 85  | 81  | 84  | 80  |
|                   | 8  | 80  | 75  | 78  | 74  | 78  | 74  |
|                   | 10 | 74  | 69  | 73  | 69  | 72  | 68  |

Zonal Cavity Method  
Effective Floor Cavity Reflectance 20%

### ZONAL LUMEN SUMMARY

| ZONE  | LUMENS  | %LUMINAIRE |
|-------|---------|------------|
| 0-30  | 1,170.6 | 93.1%      |
| 0-40  | 1,255.4 | 99.9%      |
| 0-60  | 1,257.3 | 100%       |
| 60-90 | 0.0     | 0%         |
| 0-90  | 1,257.3 | 100%       |

### MULTIPLE UNIT DATA - (RCR 2)

| SPACING ON CENTER | INITIAL FOOTCANDLES | WATTS/ SQ. FT. |
|-------------------|---------------------|----------------|
| 5'                | 62                  | 0.58           |
| 6'                | 35                  | 0.33           |
| 7'                | 24                  | 0.23           |
| 8'                | 24                  | 0.23           |
| 9'                | 16                  | 0.15           |

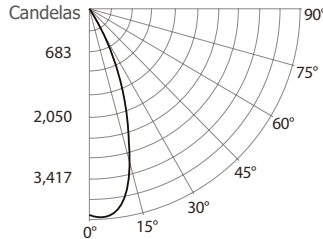
38' x 38' x 10' Room. Workplan located 2-1/2' (30").  
Reflectance factor 80%/50%/30%

### CANDELAS DISTRIBUTION

| DEGREES/ VERTICAL | CANDELAS | DEGREES/ VERTICAL | CANDELAS |
|-------------------|----------|-------------------|----------|
| 0                 | 2,692    | 40                | 11       |
| 5                 | 2,715    | 50                | 0        |
| 10                | 2,508    | 60                | 0        |
| 15                | 1,952    | 70                | 0        |
| 20                | 1,329    | 80                | 0        |
| 25                | 847      | 90                | 0        |
| 30                | 391      |                   |          |

## 3,000K, 90+ CRI, Flood, Performance 2 — WITH CLEAR LENS

### CANDLEPOWER DISTRIBUTION



### LIGHT CONE

| Distance | FC    | DIA   |
|----------|-------|-------|
| 06'      | 111.5 | 4.2'  |
| 08'      | 62.7  | 5.7'  |
| 10'      | 40.1  | 7.1'  |
| 12'      | 27.9  | 8.5'  |
| 14'      | 20.5  | 9.9'  |
| 16'      | 15.7  | 11.3' |

Beam: 40°  
Beam Edge defined as 50% of Maximum Nadir Candle-power.

### LUMINAIRE

|                   |                  |        |
|-------------------|------------------|--------|
| Performance 2 LED | 3,000K Flood     |        |
| CBCP / Lumens     | 4,012 / 1,878.2  |        |
| Watts             | 120V             | 277V   |
|                   | 23W              | 23.5W  |
| Operating AMPS    | 0.19A            | 0.085A |
| Lumen Maintenance | L70 @ 50,000 Hrs |        |
| CRI               | 90+              |        |
| Lumens/Watt       | 81.7             |        |
| Spacing Criteria  | 0.98             |        |

### COEFFICIENT OF UTILIZATION - %

| Ceiling Reflect % | 80 |     | 50  |     | 30  |     |     |
|-------------------|----|-----|-----|-----|-----|-----|-----|
| Wall Reflect %    | 50 | 30  | 50  | 30  | 50  | 30  |     |
| RCR               | 0  | 119 | 119 | 111 | 111 | 106 | 106 |
|                   | 2  | 106 | 103 | 101 | 99  | 98  | 96  |
|                   | 4  | 96  | 91  | 93  | 89  | 91  | 88  |
|                   | 6  | 87  | 82  | 85  | 81  | 84  | 80  |
|                   | 8  | 80  | 75  | 78  | 74  | 78  | 74  |
|                   | 10 | 74  | 69  | 73  | 69  | 72  | 68  |

Zonal Cavity Method  
Effective Floor Cavity Reflectance 20%

### ZONAL LUMEN SUMMARY

| ZONE  | LUMENS  | %LUMINAIRE |
|-------|---------|------------|
| 0-30  | 1,747.1 | 93%        |
| 0-40  | 1,875.4 | 99.8%      |
| 0-60  | 1,878.2 | 100%       |
| 60-90 | 0.0     | 0%         |
| 0-90  | 1,878.2 | 100%       |

### MULTIPLE UNIT DATA - (RCR 2)

| SPACING ON CENTER | INITIAL FOOTCANDLES | WATTS/ SQ. FT. |
|-------------------|---------------------|----------------|
| 5'                | 93                  | 1.01           |
| 6'                | 52                  | 0.57           |
| 7'                | 36                  | 0.39           |
| 8'                | 36                  | 0.39           |
| 9'                | 23                  | 0.25           |

38' x 38' x 10' Room. Workplan located 2-1/2' (30").  
Reflectance factor 80%/50%/30%

### CANDELAS DISTRIBUTION

| DEGREES/ VERTICAL | CANDELAS | DEGREES/ VERTICAL | CANDELAS |
|-------------------|----------|-------------------|----------|
| 0                 | 4,012    | 40                | 19       |
| 5                 | 4,053    | 50                | 0        |
| 10                | 3,761    | 60                | 0        |
| 15                | 2,915    | 70                | 0        |
| 20                | 1,974    | 80                | 0        |
| 25                | 1,268    | 90                | 0        |
| 30                | 582      |                   |          |

# Ardito LED - A3RSF

3-1/2" Series

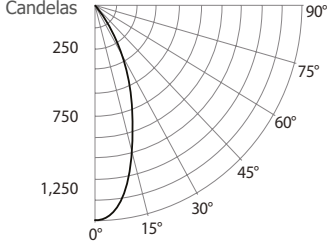
Ultra-Thin Profile Round Regressed Shower Trim

PHOTOMETRIC DATA



## 3,000K, 90+ CRI, Flood, Performance 1 — WITH FROSTED LENS

### CANDLEPOWER DISTRIBUTION



### LIGHT CONE

| Distance | FC   | DIA   |
|----------|------|-------|
| 06'      | 41.3 | 4.4'  |
| 08'      | 23.2 | 5.9'  |
| 10'      | 14.9 | 7.3'  |
| 12'      | 10.3 | 8.8'  |
| 14'      | 7.6  | 10.3' |
| 16'      | 5.8  | 11.8' |

Beam: 40°  
Beam Edge defined as 50% of Maximum Nadir Candle-power.

### LUMINAIRE

|                   |                 |        |
|-------------------|-----------------|--------|
| Performance 1 LED | 3,000K Flood    |        |
| CBCP / Lumens     | 1486 / 945,2    |        |
| Watts             | 120V            | 277V   |
|                   | 14W             | 14,5W  |
| Operating AMPS    | 0,12A           | 0,052A |
| Lumen Maintenance | L70 @ 50000 Hrs |        |
| CRI               | +90             |        |
| Lumens/Watt       | 67,5            |        |
| Spacing Criteria  | 0,68            |        |

### COEFFICIENT OF UTILIZATION - %

| Ceiling Reflect % | 80 |     | 50  |     | 30  |     |     |
|-------------------|----|-----|-----|-----|-----|-----|-----|
| Wall Reflect %    | 50 | 30  | 50  | 30  | 50  | 30  |     |
| RCR               | 0  | 119 | 119 | 111 | 111 | 106 | 106 |
|                   | 2  | 102 | 98  | 97  | 94  | 94  | 92  |
|                   | 4  | 88  | 83  | 85  | 80  | 83  | 79  |
|                   | 6  | 77  | 71  | 75  | 70  | 74  | 69  |
|                   | 8  | 69  | 63  | 67  | 62  | 66  | 61  |
|                   | 10 | 62  | 56  | 61  | 56  | 60  | 55  |

Zonal Cavity Method  
Effective Floor Cavity Reflectance 20%

### ZONAL LUMEN SUMMARY

| ZONE  | LUMENS | %LUMINAIRE |
|-------|--------|------------|
| 0-30  | 645.9  | 68.3%      |
| 0-40  | 783.3  | 82.9%      |
| 0-60  | 919.3  | 97.3%      |
| 60-90 | 25.8   | 0.1%       |
| 0-90  | 945.2  | 100%       |

### MULTIPLE UNIT DATA - (RCR 2)

| SPACING ON CENTER | INITIAL FOOTCANDLES | WATTS/SQ. FT. |
|-------------------|---------------------|---------------|
| 5'                | 45                  | 0.53          |
| 6'                | 25                  | 0.30          |
| 7'                | 18                  | 0.21          |
| 8'                | 18                  | 0.21          |
| 9'                | 11                  | 0.13          |

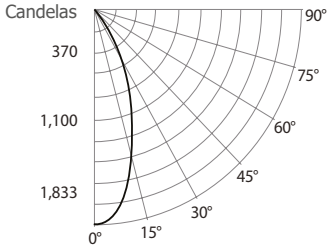
38' x 38' x 10' Room. Workplan located 2-1/2' (30").  
Reflectance factor 80%/50%/30%

### CANDELAS DISTRIBUTION

| DEGREES/VERTICAL | CANDELAS | DEGREES/VERTICAL | CANDELAS |
|------------------|----------|------------------|----------|
| 0                | 1486     | 40               | 145      |
| 5                | 1427     | 50               | 81       |
| 10               | 1257     | 60               | 42       |
| 15               | 1014     | 70               | 9        |
| 20               | 751      | 80               | 0        |
| 25               | 515      | 90               | 0        |
| 30               | 333      |                  |          |

## 3,000K, 90+ CRI, Flood, Performance 2 — WITH FROSTED LENS

### CANDLEPOWER DISTRIBUTION



### LIGHT CONE

| Distance | FC   | DIA   |
|----------|------|-------|
| 06'      | 60.8 | 4.4'  |
| 08'      | 34.2 | 5.9'  |
| 10'      | 21.9 | 7.3'  |
| 12'      | 15.2 | 8.8'  |
| 14'      | 11.2 | 10.3' |
| 16'      | 8.6  | 11.7' |

Beam: 40°  
Beam Edge defined as 50% of Maximum Nadir Candle-power.

### LUMINAIRE

|                   |                 |        |
|-------------------|-----------------|--------|
| Performance 1 LED | 3,000K Flood    |        |
| CBCP / Lumens     | 2188 / 1392,3   |        |
| Watts             | 120V            | 277V   |
|                   | 23W             | 23,5W  |
| Operating AMPS    | 0,19A           | 0,085A |
| Lumen Maintenance | L70 @ 50000 Hrs |        |
| CRI               | +90             |        |
| Lumens/Watt       | 60,5            |        |
| Spacing Criteria  | 0,68            |        |

### COEFFICIENT OF UTILIZATION - %

| Ceiling Reflect % | 80 |     | 50  |     | 30  |     |     |
|-------------------|----|-----|-----|-----|-----|-----|-----|
| Wall Reflect %    | 50 | 30  | 50  | 30  | 50  | 30  |     |
| RCR               | 0  | 119 | 119 | 111 | 111 | 106 | 106 |
|                   | 2  | 102 | 98  | 97  | 94  | 94  | 91  |
|                   | 4  | 88  | 83  | 85  | 80  | 83  | 79  |
|                   | 6  | 77  | 71  | 75  | 70  | 74  | 69  |
|                   | 8  | 69  | 63  | 67  | 62  | 66  | 61  |
|                   | 10 | 62  | 56  | 61  | 56  | 60  | 55  |

Zonal Cavity Method  
Effective Floor Cavity Reflectance 20%

### ZONAL LUMEN SUMMARY

| ZONE  | LUMENS | %LUMINAIRE |
|-------|--------|------------|
| 0-30  | 950.8  | 68.3%      |
| 0-40  | 1153.5 | 82.9%      |
| 0-60  | 1354   | 97.2%      |
| 60-90 | 38.3   | 2.8%       |
| 0-90  | 1392.3 | 100%       |

### MULTIPLE UNIT DATA - (RCR 2)

| SPACING ON CENTER | INITIAL FOOTCANDLES | WATTS/SQ. FT. |
|-------------------|---------------------|---------------|
| 5'                | 66                  | 0.53          |
| 6'                | 37                  | 0.30          |
| 7'                | 26                  | 0.21          |
| 8'                | 26                  | 0.21          |
| 9'                | 17                  | 0.13          |

38' x 38' x 10' Room. Workplan located 2-1/2' (30").  
Reflectance factor 80%/50%/30%

### CANDELAS DISTRIBUTION

| DEGREES/VERTICAL | CANDELAS | DEGREES/VERTICAL | CANDELAS |
|------------------|----------|------------------|----------|
| 0                | 2188     | 40               | 214      |
| 5                | 2100     | 50               | 119      |
| 10               | 1850     | 60               | 61       |
| 15               | 1493     | 70               | 13       |
| 20               | 1106     | 80               | 0        |
| 25               | 758      | 90               | 0        |
| 30               | 491      |                  |          |