

## SPECIFICATION SHEET

**Ardito LED - A4RWW****4" Series****Ultra-Thin Profile Round Wall Wash Trim**

Project \_\_\_\_\_

Notes \_\_\_\_\_

Fixture Type \_\_\_\_\_

Date \_\_\_\_\_

**WITH FLANGE**

A4RWW-2222 - XXX (illustrated)

**FLANGELESS TRIM**

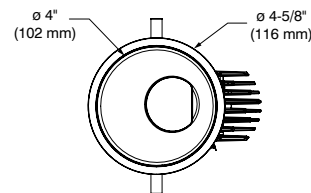
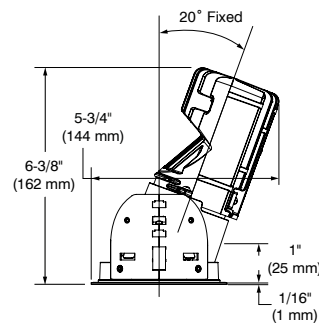
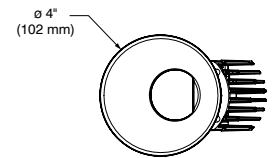
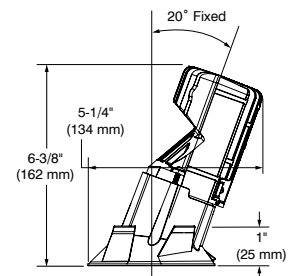
A4RWW-TR22 - XXX (illustrated)

Aluminum Round, 4" high efficiency wall wash dimmable LED. May be installed with a low profile ultra-thin flange or flangeless trim in configuration for insulated, non-insulated and remodel (non-IC) ceilings.



## SPECIFICATIONS

TRIM DETAILS	<p>Requires a 6-1/2" (165 mm) clearance beyond the ceiling level for standard using and 7" (178 mm) for Lumenetix option using.</p> <p>Perfect fit into ceiling</p> <p>Each part of the housing should be at LEAST 3" (76 mm) from insulation (non-IC configurations)</p> <p>Can fit in ceilings up to 1-1/2" (38 mm) thick</p> <p>Junction box is accessible from below the ceiling for ease of maintenance</p>
HEAT SINK	High quality injection molded aluminum heat sink ensuring maximum heat dissipation for optimal performance.
CEILING CUTOUT	<b>ø 4-1/4" (108 mm)</b>
CERTIFICATION	<ul style="list-style-type: none"> <li>cULus <b>E343977</b> for damp locations</li> <li>Certified Air Tight ASTM E283</li> </ul>
WARRANTY	<p>1 year on components against manufacturing defects</p> <p>5 years on LED arrays and drivers</p>

**WITH FLANGE****FLANGELESS TRIM****CONTRASTE**2018-03  
Revision 1

PRINTED IN CANADA

1009, rue du Parc Industriel  
Lévis (Québec) G6Z 1C5 Canada  
Tel.: 1-888-839-4624  
Fax.: 1-877-839-7057  
contrastlighting.com  
info@contrastlighting.com

© 2018 Contraste Lighting M.L. Inc.  
All rights reserved

Contrast Lighting M.L. Inc. reserves the right to make changes in specifications and/or to discontinue any product at any time without notice or obligation and will not be liable for any consequences resulting from the use of this publication.

**Ardito LED - A4RWW**

4" Series

**Ultra-Thin Profile Round Wall Wash Trim**

## SPECIFICATIONS (CONT'D)

## LIGHT ENGINE

**STANDARD (SOLID WHITE)**

Lumileds Luxeon CoB 1205 GEN3 for Narrow Flood and Flood beams. Lumileds Luxeon CoB 1203 GEN3 for Spot beam.

$L_{70}$  @ 50,000 hours of operation. 3-Step MacAdam ellipse (3 SDCM)

Color Temperatures: 2,700K - 3,000K - 3,500K - 4,000K

CRI: 90+ (93 typical)

R9: >50

Delivered Lumens: Performance 1 (14W) - 442.8 lumens @ 3,000K, 32.5 lm/W  
Performance 2 (23W) - 629.3 lumens @ 3,000K, 46.2 lm/W

Power Supply: 120V / 277V (universal input)

One driver available in 2 performances (14W and 23W) and offering 2 dimming options within the same unit:

ELV: 120V only     0-10V: 120V / 277V

Consult housing specification sheet for more details.

**WARM DIMMING (WD)**

Lumenetix Araya DDM1 Dynamic Dimming Module. Delivers dimmable (100% - 1%) white light that warms as it dims, reproducing dimming conditions of a halogen lamp. It allows the user to change the color temperature from 3,050K to 1,800K at minimum intensity all this while ensuring a 90+ CRI over the full dimming range.

$L_{70}$  @ 50,000 hours of operation. 2-Step MacAdam ellipse (2 SDCM)

Color Temperatures: 3,050K to 1,800K

CRI: 90+ (over the entire dimming range)

Delivered Lumens: Performance L (12.5W) - up to 700 lumens

Power Supply: 120V - 277V (universal input)

One driver available in one performance (12.5W) and offering one dimming option:

0-10V: 120V / 277V

Consult Lumenetix Website ([www.lumenetix.com](http://www.lumenetix.com)) and refer to the documentation for the DDM119 module for more information.

**COLOR TUNING (CT)**

Lumenetix Araya CTM1 Color Tuning Module. Delivers tunable and dimmable (100% - 1%) white light from 1,650K to 4,000K as well as millions of colors.

$L_{70}$  @ 50,000 hours of operation. 2-Step MacAdam ellipse (2 SDCM)

Color Temperatures: 1,650K to 4,000K (adjustable)

CRI: 90+ (for all solid white)

Delivered Lumens: Performance L (12.5W) - up to 700 lumens

Power Supply: 120V - 277V (universal input)

One driver available in one performance (12.5W) and offering different control options:

DMX512-A: 4 channels - DIM (dim level)                      - CCT (correlated color temperature)  
   - SAT (saturation level)                      - HUE (color)

0-10V: One dimmer per channel (ex.: DIM and CCT)

"Araya 5" iOS App. (free): Allows programming of up to 5 scenes. The App. can be used to override the cabled system.

Consult Lumenetix Website ([www.lumenetix.com](http://www.lumenetix.com)) and refer to the documentation for the CTM119 module for more information.

## SPECIFICATION SHEET

**Ardito LED - A4RWW****4" Series****Ultra-Thin Profile Round Wall Wash Trim**

## SPECIFICATIONS (CONT'D)

## COMPATIBLE HOUSINGS

	Remodel Housing	New Construction Housing	Insulated Housing	Insulated Air Tight Housing (Title 24)	Ceiling thickness suggested for insulated housing as a using standard and Lumenetix option
<b>Performance 1 (14W)</b>	REA4V1	NWA4RV1	*ISA4RV1	*ICAT6R4-ARV1	* Ceiling thickness must be at least 1/2" (13 mm) for insulated housing as a using standard.
<b>Performance 2 (23W)</b>	REA4V2	NWA4RV2	*ISA4RV2	*ICAT6R4-ARV2	
<b>Lumenetix (12.5W)</b>	REA4VL	NWA4RVL	**ISA4RVL		** Ceiling thickness must be at least 1" (25 mm) for insulated housing with Lumenetix option.

For dimming, please visit our Web site frequently to find our suggested compatible dimmers: [www.contrastlighting.com](http://www.contrastlighting.com)

## OPTIC SYSTEM

**Choice of available lense:****Frosted/Frosted (F)****Standard**

Flood (L)	54°
-----------	-----

\* Average beam shown. Consult .ies files on our Website for more details.

## FLANGE FINISHES

Powder coat painted or plated aluminum.

**Different finishes available:**

24K Gold Plated (-03), Chrome (-04), Brushed Chrome (-04BR), Matte White (-11), Brushed Nickel (-12BR), Satin Nickel (-13) and Matte Black (-22)

## REFLECTOR FINISHES

**Painted**

Matte White (11)

\*Matte black (22)

Natural Anodized Aluminum (AN)

\* Recommended for optimum Wall Wash result

## FLANGELESS TRIMS

Perforated aluminum plate for borderless product, allowing you to plaster up to the edge of the opening of the Ardito luminaire.

Mud-in-plate sold separately.

**Ordering code: MIPA4R**

Consult housing specification sheet for more details.

**CONTRASTE**2018-03  
Revision 1

PRINTED IN CANADA

1009, rue du Parc Industriel  
Lévis (Québec) G6Z 1C5 Canada  
Tel.: 1-888-839-4624  
Fax.: 1-877-839-7057  
contrastlighting.com  
info@contrastlighting.com

© 2018 Contraste Lighting M.L. Inc.  
All rights reserved

Contrast Lighting M.L. Inc. reserves the right to make changes in specifications and/or to discontinue any product at any time without notice or obligation and will not be liable for any consequences resulting from the use of this publication.

SPECIFICATION SHEET

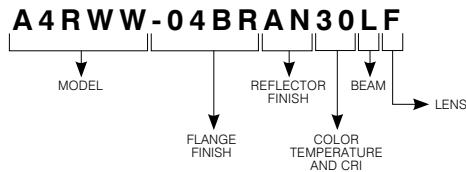
# Ardito LED - A4RWW

4" Series

## Ultra-Thin Profile Round Wall Wash Trim



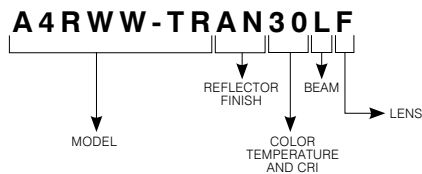
TRIM WITH FLANGE CODIFICATION EXAMPLE



TRIM WITH FLANGE ORDERING CODES **A4RWW**

MODEL	FLANGE FINISHES	REFLECTOR FINISHES	COLOR TEMPERATURES AND CRI	BEAM	LENS
<b>A4RWW</b>				<b>L</b>	<b>F</b>
<b>A4RWW</b>	<b>-03</b> 24K Gold Plated	<b>PAINTED</b>	<b>27</b> 2,700K (90+ CRI)	<b>L</b> Flood (54°)	<b>F</b> Frosted/Frosted
	<b>-04</b> Chrome	<b>AN</b> Natural Anodized Aluminum	<b>30</b> 3,000K (90+ CRI)		
	<b>-04BR</b> Brushed Chrome	<b>11</b> Matte White	<b>35</b> 3,500K (90+ CRI)		
	<b>-11</b> Matte White	<b>22*</b> Matte Black	<b>40</b> 4,000K (90+ CRI)		
	<b>-12BR</b> Brushed Nickel	<b>*(Recommended for optimum Wall Wash results)</b>	<b>CT</b> 1,650K to 4,000K (90+ CRI)		
	<b>-13</b> Satin Nickel		<b>WD</b> 3,050K to 1,800K (90+ CRI)		
	<b>-22</b> Matte Black				

FLANGELESS TRIM CODIFICATION EXAMPLE



Mud-in-plate required for use of flangeless trim (see ordering code below)

FLANGELESS TRIM ORDERING CODES **A4RWW-TR**

MODEL	REFLECTOR FINISHES	COLOR TEMPERATURES AND CRI	BEAM	LENS
<b>A4RWW-TR</b>			<b>L</b>	<b>F</b>
<b>A4RWW-TR</b>	<b>PAINTED</b>	<b>27</b> 2,700K (90+ CRI)	<b>L</b> Flood (54°)	<b>F</b> Frosted/Frosted
	<b>AN</b> Natural Anodized Aluminum	<b>30</b> 3,000K (90+ CRI)		
	<b>11</b> Matte White	<b>35</b> 3,500K (90+ CRI)		
	<b>22*</b> Matte Black	<b>40</b> 4,000K (90+ CRI)		
	<b>*(Recommended for optimum Wall Wash results)</b>	<b>CT</b> 1,650K to 4,000K (90+ CRI)		
		<b>WD</b> 3,050K to 1,800K (90+ CRI)		

# CONTRASTE

SPECIFICATION SHEET

# Ardito LED - A4RWW

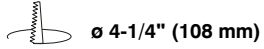
4" Series

## Ultra-Thin Profile Round Wall Wash Trim

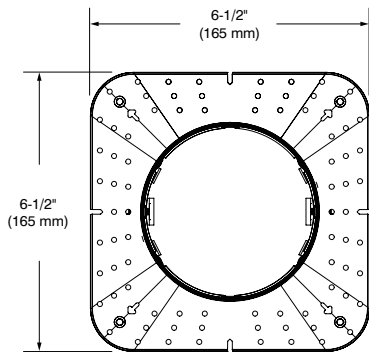


### MUD-IN-PLATE

Required with the use of flangeless trims.  
Consult housing specification sheet for more details.



Code: MIPA4R



### ORDERING CODES for replacement lenses

Frosted/ Frosted (F): **317285**

# Ardito LED - A4RWW

4" Series

Ultra-Thin Profile Round Wall Wash Trim

PHOTOMETRIC DATA



In order to obtain the accurate photometric data, multiply the lumens relative to your product selection by the applicable factor(s). Take note these factors also need to be implemented in the .ies files available on our website.

WITH PERFORMANCE 1 HOUSING (14W)

	Flood (54°)	
<b>2,700K with 90+ CRI</b>	455 lm	32.5 lm/W
<b>3,000K with 90+ CRI</b>	471 lm	33.6 lm/W
<b>3,500K with 90+ CRI</b>	493 lm	35.2 lm/W
<b>4,000K with 90+ CRI</b>	506 lm	36.1 lm/W

WITH PERFORMANCE 2 HOUSING (23W)

	Flood (54°)	
<b>2,700K with 90+ CRI</b>	648 lm	28.2 lm/W
<b>3,000K with 90+ CRI</b>	671 lm	29.2 lm/W
<b>3,500K with 90+ CRI</b>	701 lm	30.5 lm/W
<b>4,000K with 90+ CRI</b>	719 lm	31.3 lm/W

WITH PERFORMANCE L HOUSING (12.5W)

	Flood (54°)	
<b>Warm Dimming (WD) with 90+ CRI</b>	234 lm	18.7 lm/W
<b>Color Tuning (CT) with 90+ CRI</b>	245 lm	19.6 lm/W

# CONTRASTE

2018-03  
Revision 1

PRINTED IN CANADA

1009, rue du Parc Industriel  
Lévis (Québec) G6Z 1C5 Canada  
Tel.: 1-888-839-4624  
Fax.: 1-877-839-7057  
contrastelighting.com  
info@contrastelighting.com

© 2018 Contraste Lighting M.L. Inc.  
All rights reserved

Contrast Lighting M.L. Inc. reserves the right to make changes in specifications and/or to discontinue any product at any time without notice or obligation and will not be liable for any consequences resulting from the use of this publication.

# Ardito LED - A4RWW

4" Series

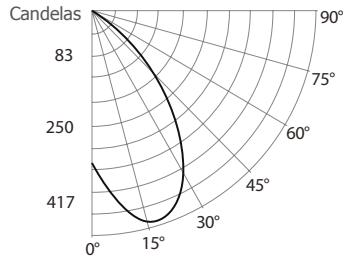
Ultra-Thin Profile Round Wall Wash Trim

PHOTOMETRIC DATA



**3,000K, 90+ CRI, Flood, Performance 1**

**CANDLEPOWER DISTRIBUTION**



**LIGHT CONE**

Distance	FC	DIA
04'	21.5	4.0'
08'	5.4	8.1'
12'	2.4	12.1'
16'	1.3	16.2'

**Beam: 54°**  
Beam Edge defined as 50% of Maximum Nadir Candle-power.

**LUMINAIRE**

<b>Performance 1 LED</b>	3,000K Flood	
<b>CBCP / Lumens</b>	343	/ 442.8
<b>Watts</b>	<b>120V</b>	<b>277V</b>
	14W	14.5W
<b>Operating AMPS</b>	0.12A	0,052A
<b>Lumen Maintenance</b>	L70 @ 50,000 Hrs	
<b>CRI</b>	90+	
<b>Lumens/Watt</b>	31.6	
<b>Spacing Criteria</b>	0,91	

**COEFFICIENT OF UTILIZATION - %**

Ceiling Reflect %	80		50		30		
Wall Reflect %	50	30	50	30	50	30	
<b>RCR</b>	0	112	112	105	105	100	100
	2	94	90	89	86	86	84
	4	79	73	76	71	74	70
	6	67	61	65	59	63	59
	8	58	51	56	51	55	50
	10	50	44	49	44	48	43

Zonal Cavity Method  
Effective Floor Cavity Reflectance 20%

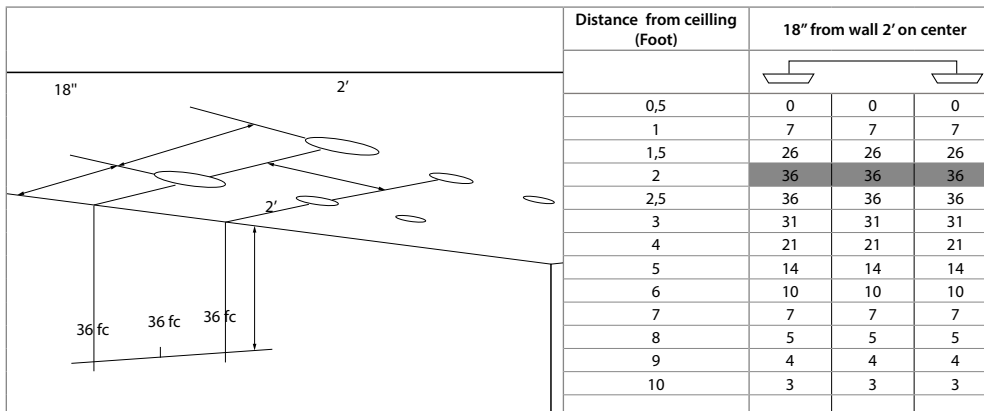
**ZONAL LUMEN SUMMARY**

ZONE	LUMENS	%LUMINAIRE
0-30	230.1	52%
0-40	333.2	75.2%
0-60	434.8	98.2%
60-90	8.0	1.8%
0-180	442.8	100%

**CANDELAS DISTRIBUTION**

DEGREES/ VERTICAL	CANDELAS	DEGREES/ VERTICAL	CANDELAS
0	343	40	278
5	404	50	125
10	458	60	46
15	487	70	3
20	486	80	0
25	461	90	0
30	413		

**Footcandles On Wall - Performance 1**



Note: Footcandles Data

# Ardito LED - A4RWW

4" Series

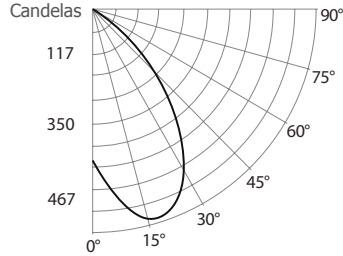
Ultra-Thin Profile Round Wall Wash Trim

PHOTOMETRIC DATA



**3,000K, 90+ CRI, Flood, Performance 2**

**CANDLEPOWER DISTRIBUTION**



**LIGHT CONE**

Distance	FC	DIA
04'	29.4	4.10'
08'	7.4	8.2'
12'	3.3	12.3'
16'	1.8	16.3'

**Beam: 54°**  
Beam Edge defined as 50% of Maximum Nadir Candle-power.

**LUMINAIRE**

<b>Performance 2 LED</b>	3,000K Flood	
<b>CBCP / Lumens</b>	471	/ 629.9
<b>Watts</b>	<b>120V</b>	<b>277V</b>
	23W	23,5W
<b>Operating AMPS</b>	0.19A	0.085A
<b>Lumen Maintenance</b>	L70 @ 50,000 Hrs	
<b>CRI</b>	90+	
<b>Lumens/Watt</b>	27.4	
<b>Spacing Criteria</b>	0.91	

**COEFFICIENT OF UTILIZATION - %**

Ceiling Reflect %	80		50		30		
Wall Reflect %	50	30	50	30	50	30	
<b>RCR</b>	0	112	112	104	104	100	100
	2	94	89	89	86	86	83
	4	79	72	75	70	73	69
	6	67	60	64	59	63	58
	8	57	51	55	50	54	49
	10	50	44	49	43	48	43

Zonal Cavity Method  
Effective Floor Cavity Reflectance 20%

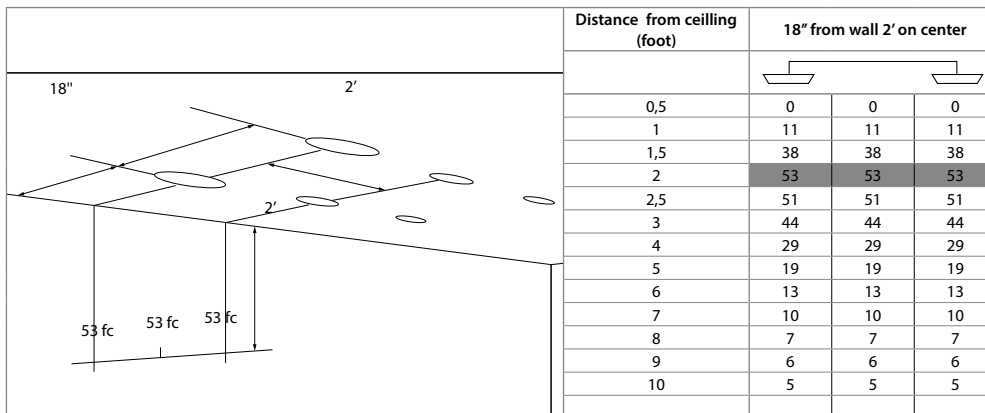
**ZONAL LUMEN SUMMARY**

ZONE	LUMENS	%LUMINAIRE
0-30	319.9	50.8%
0-40	468	74.3%
0-60	618.1	98.1%
60-90	11.8	1.9%
0-90	629.9	100%

**CANDELAS DISTRIBUTION**

DEGREES/ VERTICAL	CANDELAS	DEGREES/ VERTICAL	CANDELAS
0	471	40	398
5	555	50	188
10	633	60	68
15	679	70	3
20	683	80	0
25	651	90	0
30	584		

**Footcandles On Wall - Performance 2**



Note: Footcandles Data