

SPECIFICATION SHEET

Ardito LED - A3RFD

3-1/2" Series

Ultra-Thin Profile Round Trim with Frosted Glass Tube

Project _____

Notes _____

Fixture Type _____

Date _____



WITH FLANGE
A3RFD-12BRXX (illustrated)



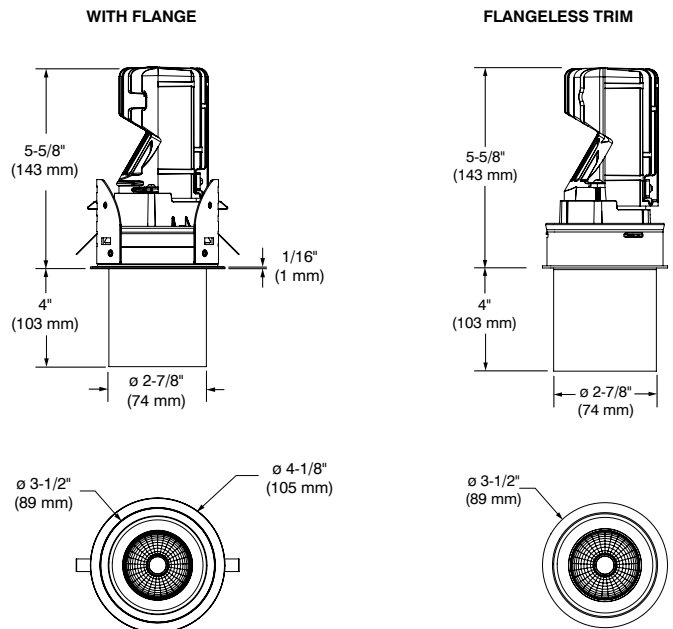
FLANGELESS TRIM
A3RFD-TR12BRXX (illustrated)

Aluminum Round, 3-1/2" high efficiency decorative dimmable LED downlight trim. May be installed with a low profile ultra-thin flange or flangeless trim in configuration for insulated, non-insulated and remodel (non-IC) ceilings.



SPECIFICATIONS

TRIM DETAILS	<p>Requires a 6" (152 mm) clearance beyond the ceiling level for standard using and 6-1/2" (165 mm) for Lumenetix option using.</p> <p>Perfect fit into ceiling</p> <p>Each part of the housing should be at LEAST 3" (76 mm) from insulation (non-IC configurations)</p> <p>Can fit in ceilings up to 1-1/2" (38 mm) thick</p> <p>Junction box is accessible from below the ceiling for ease of maintenance</p>
HEAT SINK	High quality injection molded aluminum heat sink ensuring maximum heat dissipation for optimal performance.
CEILING CUTOUT	ø 3-3/4" (95 mm)
CERTIFICATION	<ul style="list-style-type: none"> cULus E343977 for damp locations Certified Air Tight ASTM E283
WARRANTY	<p>1 year on components against manufacturing defects</p> <p>5 years on LED arrays and drivers</p>



SPECIFICATION SHEET

Ardito LED - A3RFD

3-1/2" Series

Ultra-Thin Profile Round Trim with Frosted Glass Tube

SPECIFICATIONS (CONT'D)

COMPATIBLE HOUSINGS

	Remodel Housing	New Construction Housing	Insulated Housing	Insulated Air Tight Housing (Title 24)	Ceiling thickness suggested for insulated housing as a using standard and Lumenetix option
Performance 1 (14W)	REA3V1	NWA3RV1	*ISA3RV1	ICAT6R3-ARV1	* Ceiling thickness must be at least 1/4" (6.4 mm) for insulated housing as a using standard.
Performance 2 (23W)	REA3V2	NWA3RV2	*ISA3RV2	ICAT6R3-ARV2	** Ceiling thickness must be at least 3/4" (19 mm) for insulated housing with Lumenetix option.
Lumenetix (12.5W)	REA3VL	NWA3RVL	**ISA3RVL		

For dimming, please visit our Web site frequently to find our suggested compatible dimmers: www.contrastlighting.com

OPTIC SYSTEM

Interchangeable optional lenses available to customize your lighting.

Choice of available lenses:

Stackable (up to 2) (also sold separately)

Clear (C)

Frosted (F)

Standard

Medium Spot (S)	19°
-----------------	-----

* Average beam shown. Consult .ies files on our Website for more details.

FLANGE AND LIGHT ENGINE FINISHES

Powder coat painted or plated aluminum.

Different finishes available:

24K Gold Plated (-03), Chrome (-04), Brushed Chrome (-04BR), Matte White (-11), Brushed Nickel (-12BR), Satin Nickel (-13) and Matte Black (-22)

FLANGELESS TRIMS (OPTION)

Perforated aluminum plate for borderless product, allowing you to plaster up to the edge of the opening of the Ardito luminaire.

Mud-in-plate sold separately.

Ordering code: MIPA3R

Consult housing specification sheet for more details.

CONTRASTE2018-03
Revision 1

PRINTED IN CANADA

1009, rue du Parc Industriel
Lévis (Québec) G6Z 1C5 Canada
Tel.: 1-888-839-4624
Fax.: 1-877-839-7057
contrastlighting.com
info@contrastlighting.com

© 2018 Contraste Lighting M.L. Inc.
All rights reserved

Contrast Lighting M.L. Inc. reserves the right to make changes in specifications and/or to discontinue any product at any time without notice or obligation and will not be liable for any consequences resulting from the use of this publication.

SPECIFICATION SHEET

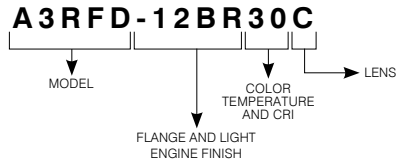
Ardito LED - A3RFD

3-1/2" Series

Ultra-Thin Profile Round Trim with Frosted Glass Tube



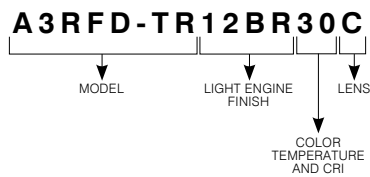
TRIM WITH FLANGE CODIFICATION EXAMPLE



TRIM WITH FLANGE ORDERING CODES **A3RFD**

MODEL	TRIM AND LIGHT ENGINE FINISHES	COLOR TEMPERATURES AND CRI	LENSES
A3RFD			
A3RFD	-03 24K Gold Plated	27 2,700K (90+ CRI)	C Clear
	-04 Chrome	30 3,000K (90+ CRI)	F Frosted
	-04BR Brushed Chrome	35 3,500K (90+ CRI)	
	-11 Matte White	40 4,000K (90+ CRI)	
	-12BR Brushed Nickel	CT 1,650K to 4,000K (90+ CRI)	
	-13 Satin Nickel	WD 3,050K to 1,800K (90+ CRI)	
	-22 Matte Black		

FLANGELESS TRIM OPTION — CODIFICATION EXAMPLE



Mud-in-plate required for use of flangeless trim (see ordering code on next page)

FLANGELESS TRIM OPTION — ORDERING CODES **A3RFD-TR**

MODEL	LIGHT ENGINE FINISHES	COLOR TEMPERATURES AND CRI	LENSES
A3RFD-TR			
A3RFD-TR	03 24K Gold Plated	27 2,700K (90+ CRI)	C Clear
	04 Chrome	30 3,000K (90+ CRI)	F Frosted
	04BR Brushed Chrome	35 3,500K (90+ CRI)	
	11 Matte White	40 4,000K (90+ CRI)	
	12BR Brushed Nickel	CT 1,650K to 4,000K (90+ CRI)	
	13 Satin Nickel	WD 3,050K to 1,800K (90+ CRI)	
	22 Matte Black		

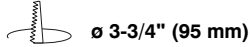
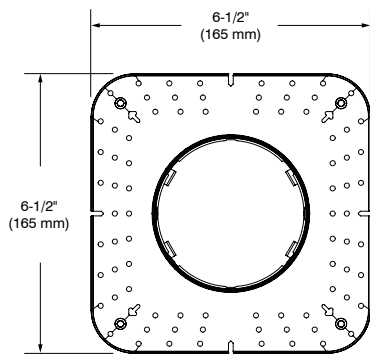
CONTRASTE

SPECIFICATION SHEET

Ardito LED - A3RFD**3-1/2" Series****Ultra-Thin Profile Round Trim with Frosted Glass Tube**

MUD-IN-PLATE

Required with the use of flangeless trims.
Consult housing specification sheet for more details.

**Code: MIPA3R**

ORDERING CODES

for replacement lenses

For future on-site modifications of the light distribution.

Lenses (to modify light diffusion)**Stackable (up to 2)**Clear (C): **104036**Frosted (F): **317240****CONTRASTE**2018-03
Revision 1

PRINTED IN CANADA

1009, rue du Parc Industriel
Lévis (Québec) G6Z 1C5 Canada
Tel.: 1-888-839-4624
Fax.: 1-877-839-7057
contrastelighting.com
info@contrastelighting.com

© 2018 Contraste Lighting M.L. Inc.
All rights reserved

Contrast Lighting M.L. Inc. reserves the right to make changes in specifications and/or to discontinue any product at any time without notice or obligation and will not be liable for any consequences resulting from the use of this publication.

Ardito LED - A3RFD

3-1/2" Series**Ultra-Thin Profile Round Trim with Frosted Glass Tube**

PHOTOMETRIC DATA



In order to obtain the accurate photometric data, multiply the lumens relative to your product selection by the applicable factor(s). Take note these factors also need to be implemented in the .ies files available on our website.

WITH PERFORMANCE 1 HOUSING (14W)

	Medium Spot (19°)	
2,700K with 90+ CRI	771 lm	55.1 lm/W
3,000K with 90+ CRI	799 lm	57.1 lm/W
3,500K with 90+ CRI	838 lm	59.9 lm/W
4,000K with 90+ CRI	859 lm	61.4 lm/W

WITH PERFORMANCE 2 HOUSING (23W)

	Medium Spot (19°)	
2,700K with 90+ CRI	1,118 lm	48.6 lm/W
3,000K with 90+ CRI	1,159 lm	50.4 lm/W
3,500K with 90+ CRI	1,215 lm	52.8 lm/W
4,000K with 90+ CRI	1,246 lm	54.2 lm/W

WITH PERFORMANCE L HOUSING (12.5W)

	Medium Spot (19°)	
Warm Dimming (WD) with 90+ CRI	394 lm	31.5 lm/W
Color Tuning (CT) with 90+ CRI	413 lm	33 lm/W

Lens Factors	
C	1
F	0.71

CONTRASTE

Ardito LED - A3RFD

3-1/2" Series

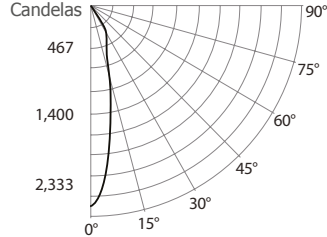
Ultra-Thin Profile Round Trim with Frosted Glass Tube

PHOTOMETRIC DATA



3,000K, 90+ CRI, Medium Spot, Performance 1

CANDLEPOWER DISTRIBUTION



LIGHT CONE

Distance	FC	DIA
06'	72.2	2.2'
08'	40.6	3.0'
10'	26.0	3.7'
12'	18.1	4.5'
14'	13.3	5.2'
16'	10.2	5.9'

Beam: 19°
Beam Edge defined as 50% of Maximum Nadir Candle-power.

LUMINAIRE

Performance 1 LED	3,000K Flood
CBCP / Lumens	2 600 / 797,5
Watts	120V 277V 14W 14.5W
Operating AMPS	0.12A 0.052A
Lumen Maintenance	L70 @ 50,000 Hrs
CRI	90+
Lumens/Watt	56.9
Spacing Criteria	0.33

COEFFICIENT OF UTILIZATION - %

Ceiling Reflect %	80		50		30		
Wall Reflect %	50	30	50	30	50	30	
RCR	0	119	119	111	111	106	106
	2	100	95	95	91	91	88
	4	87	80	83	78	81	77
	6	77	71	75	70	73	69
	8	70	64	68	63	67	63
	10	65	59	63	58	63	58

Zonal Cavity Method

Effective Floor Cavity Reflectance 20%

ZONAL LUMEN SUMMARY

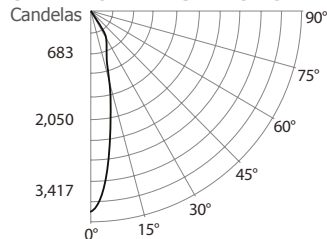
ZONE	LUMENS	%LUMINAIRE
0-30	537.8	67.3%
0-40	595.9	74.6%
0-60	709.1	88.8%
60-90	88.5	11.1%
0-90	797.5	100%

CANDELAS DISTRIBUTION

DEGREES/ VERTICAL	CANDELAS	DEGREES/ VERTICAL	CANDELAS
0	2,600	40	89
5	2,079	50	67
10	1,176	60	48
15	564	70	33
20	436	80	21
25	269	90	7
30	95		

3,000K, 90+ CRI, Medium Spot, Performance 2

CANDLEPOWER DISTRIBUTION



LIGHT CONE

Distance	FC	DIA
06'	107.02	2.2'
08'	60.2	3.0'
10'	38.5	3.7'
12'	26.8	4.5'
14'	19.7	5.2'
16'	15.1	6.0'

Beam: 19°
Beam Edge defined as 50% of Maximum Nadir Candle-power.

LUMINAIRE

Performance 2 LED	3,000K Flood
CBCP / Lumens	3,853 / 1,153.6
Watts	120V 277V 23W 23.5W
Operating AMPS	0.19A 0.085A
Lumen Maintenance	L70 @ 50,000 Hrs
CRI	90+
Lumens/Watt	82.4
Spacing Criteria	0.33

COEFFICIENT OF UTILIZATION - %

Ceiling Reflect %	80		50		30		
Wall Reflect %	50	30	50	30	50	30	
RCR	0	119	119	111	111	106	106
	2	100	95	95	92	92	89
	4	87	81	84	79	82	78
	6	78	72	76	71	74	70
	8	71	65	69	64	68	64
	10	66	60	64	59	64	59

Zonal Cavity Method

Effective Floor Cavity Reflectance 20%

ZONAL LUMEN SUMMARY

ZONE	LUMENS	%LUMINAIRE
0-30	797.0	69%
0-40	881.2	76.3%
0-60	1,040.7	90.1%
60-90	113.0	9.8%
0-90	1,153.6	100%

CANDELAS DISTRIBUTION

DEGREES/ VERTICAL	CANDELAS	DEGREES/ VERTICAL	CANDELAS
0	3,853	40	127
5	3,084	50	95
10	1,748	60	66
15	835	70	43
20	643	80	24
25	395	90	7
30	138		