

# NWLD300

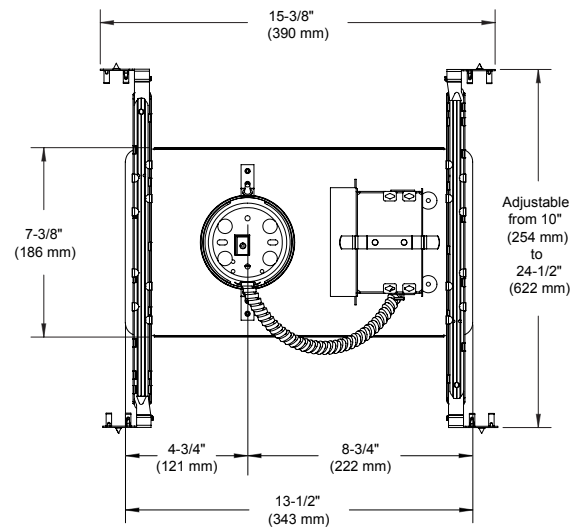
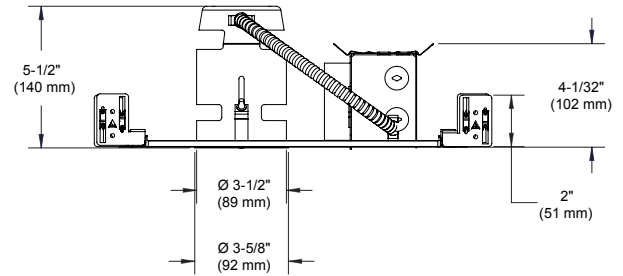
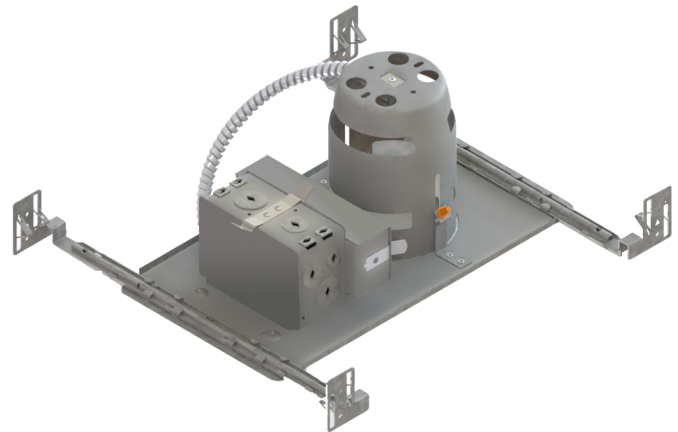
## 3-1/2" Series - Concerto LED

### New Construction Non-IC Housing

Project	
Notes	
Fixture Type	
Date	

#### SPECIFICATIONS

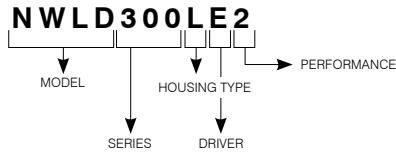
HOUSING DETAILS	Galvanized steel housing with a thickness up to 18 gauge (0,051" / 1,3 mm). Junction box can support up to 10 - 14 gauge wires or 8 - 12 gauge wires (90° wires). Below-ceiling accessible.																										
MOUNTING	<b>Cutout diameter: Ø 3-5/8" (92 mm)</b> Insulated material must be kept at least 3" (76 mm) away from the fixture. Can fit in ceilings up to 1-1/2" (38 mm) thick. Contrast hooks for ease of installation and a perfect fit to ceiling. No light leakage. Mounting bars extend from 10" (254 mm) to 24-1/2" (622 mm) to fit in most ceiling structures.																										
PERFORMANCE	<b>Performance 1:</b> 1,500 lumens (16W) <b>Performance 2:</b> 2,000 lumens (23W) <b>Performance 3:</b> 2,500 lumens (30W)																										
POWER	<b>ELV:</b> 120V only <b>0-10V and PWM:</b> Dual Voltage - 120V / 277V																										
DIMMING	3 types of dimming offered: <ul style="list-style-type: none"> <li>• Electronic Low Voltage (ELV)</li> <li>• 0-10V</li> <li>• Lutron Hi-Lume A-Series LED Driver with Eco System Control / 3-wire (PWM)</li> </ul> <p>Due to constant evolution of dimmers we must test them regularly. We invite you to consult frequently our Web site to find our dimmer compatibility list: <a href="http://www.contrastlighting.com">www.contrastlighting.com</a></p>																										
COMPATIBLE TRIMS	<b>NWLD300 E/D/A 1/2</b> <table border="1"> <tr> <td><b>Performance 1</b> <b>16W</b></td> <td><b>Performance 2</b> <b>23W</b></td> </tr> <tr> <td>LD3A</td> <td>LD3A</td> </tr> <tr> <td>LD3B</td> <td>LD3B</td> </tr> <tr> <td>LD3C</td> <td>LD3C</td> </tr> <tr> <td>LD3D</td> <td>LD3D</td> </tr> <tr> <td>LD3E</td> <td>LD3E</td> </tr> <tr> <td>LD3F</td> <td>LD3F</td> </tr> <tr> <td>LD3G</td> <td>LD3G</td> </tr> <tr> <td>LD3H</td> <td>LD3H</td> </tr> <tr> <td>LD3I</td> <td>LD3I</td> </tr> </table>	<b>Performance 1</b> <b>16W</b>	<b>Performance 2</b> <b>23W</b>	LD3A	LD3A	LD3B	LD3B	LD3C	LD3C	LD3D	LD3D	LD3E	LD3E	LD3F	LD3F	LD3G	LD3G	LD3H	LD3H	LD3I	LD3I	<b>NWLD300 D/A 3</b> <table border="1"> <tr> <td><b>Performance 3</b> <b>30W</b></td> </tr> <tr> <td>LD3D</td> </tr> <tr> <td>LD3E</td> </tr> <tr> <td>LD3F</td> </tr> </table>		<b>Performance 3</b> <b>30W</b>	LD3D	LD3E	LD3F
<b>Performance 1</b> <b>16W</b>	<b>Performance 2</b> <b>23W</b>																										
LD3A	LD3A																										
LD3B	LD3B																										
LD3C	LD3C																										
LD3D	LD3D																										
LD3E	LD3E																										
LD3F	LD3F																										
LD3G	LD3G																										
LD3H	LD3H																										
LD3I	LD3I																										
<b>Performance 3</b> <b>30W</b>																											
LD3D																											
LD3E																											
LD3F																											
THERMAL PROTECTION	Performance 1: TC 149°F (65°C) Performance 2: TC 176°F (80°C) Performance 3: TC 176°F (80°C)																										
CERTIFICATION	cULus <b>E343977</b> for damp and wet locations																										
WARRANTY	5 years on LED driver.																										



# NWLD300

3-1/2" Series - Concerto LED

## CODIFICATION EXAMPLE



## ORDERING CODES

MODEL	SERIES	HOUSING TYPE	DRIVER	PERFORMANCE
<b>NWLD</b>	<b>300</b>	<b>L</b>		
<b>NWLD</b> New Construction Non-IC Housing	<b>300</b> 300 Series	<b>L</b> Long	<b>*E</b> ELV - 120V Only <b>D</b> 0-10V - Dual Voltage (120V / 277V) <b>A</b> Lutron Hi-Lume A-Series Eco System / 3-wire (PWM) Dual Voltage (120V / 277V)	<b>1</b> 16W <b>2</b> 23W <b>3</b> 30W

\*(E available only in Performance 2)

Performance 1 and 2 housings are compatible with performance 2 trims.  
 Performance 3 housings are only compatible with performance 3 trims.

