

SPECIFICATION SHEET

# REA3V

3-1/2" Series - Ardito

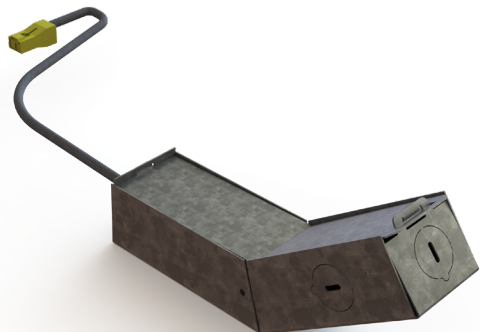
## Remodel Housing

Project \_\_\_\_\_

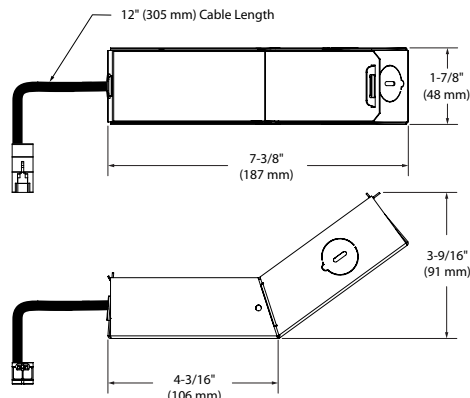
Notes \_\_\_\_\_

Fixture type \_\_\_\_\_

Date \_\_\_\_\_



REA3V (illustrated)



### SPECIFICATIONS

HOUSING DETAILS	Galvanized steel housing Junction box can support up to 10 - 14 gauge wires or 8 - 12 gauge wires (90° wires) Below-ceiling accessible
-----------------	--

MOUNTING AND SUPPORT	<p><b>Round Cutout: ø 3-3/4" (95 mm)</b>  <b>Square Cutout: 3-3/4" (95 mm) x 3-3/4" (95 mm)</b>  <b>Mud-in-Plate:</b> Required with the use of flangeless trim (<b>MIPA3R, MIPA3S</b>)  <b>Optional:</b> Reusable steel cutout template for square trim (<b>TEMP-SQ</b>)</p> <p>Consult trims specification sheets for plenum space requirements                  Insulation material must be kept at least 3" (76 mm) away from the fixture                  Can fit in ceiling up to 1-1/2" (38 mm) thick</p>
----------------------	---

POWER	120V - 277V
-------	-------------

DRIVER (OPTIONS)	<p><b>PERFORMANCE 1</b></p> <p>1,450 lumens (14W)                  For standard (solid white) light engines</p> <p><u>2 types of dimming offered:</u></p> <ul style="list-style-type: none"> <li>• Electronic Low Voltage (ELV) (120V only)</li> <li>• 0-10V (120V/277V)</li> </ul>	<p><b>PERFORMANCE 2</b></p> <p>2,050 lumens (23W)                  For standard (solid white) light engines</p> <p><u>2 types of dimming offered:</u></p> <ul style="list-style-type: none"> <li>• Electronic Low Voltage (ELV) (120V only)</li> <li>• 0-10V (120V/277V)</li> </ul>
------------------	---	---

Due to constant evolution of dimmers we must test them regularly.  
 We invite you to consult frequently our Web site to find our dimmer compatibility list: [www.contrastlighting.com](http://www.contrastlighting.com)

**PERFORMANCE L**  
 700 lumens (12.5W)  
 For **"WD" (Warm Dimming)** or **"CT" (Color Tuning)** light engines  
 Consult trims specification sheets for complete details.

**WD (Warm Dimming)**  
One driver available in one performance (12.5W) and offering one dimming option:

- 0-10V (120V/277V)

Consult Lumenetix Website ([www.lumenetix.com](http://www.lumenetix.com)) and refer to the documentation for the DDM119 module for more information.

**CT (Color Tuning)**  
One driver available in one performance (12.5W) and offering different control options:

- DMX512-A: 4 channels - DIM (dim level) - CCT (correlated color temperature) - SAT (saturation level) - HUE (color)
- 0-10V: One dimmer per channel (ex.: DIM and CCT)
- "Araya 5" iOS App. (free): Allows programmation of up to 5 scenes. The App. can be used to override the cabled system.

Consult Lumenetix Website ([www.lumenetix.com](http://www.lumenetix.com)) and refer to the documentation for the CTM119 module for more information.

# REA3V

3-1/2" Series - Ardito

## Remodel Housing



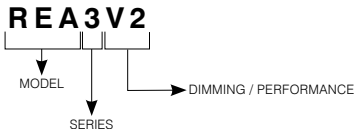
### SPECIFICATIONS (CONT'D)

COMPATIBLE TRIMS	ROUND APERTURE			SQUARE APERTURE		
	Performance 1 (14W)	Performance 2 (23W)	Performance L (12.5W)	Performance 1 (14W)	Performance 2 (23W)	Performance L (12.5W)
	A3RAF	A3RAF	A3RAF	A3SAR	A3SAR	A3SAR
	A3RAR	A3RAR	A3RAR	A3SFR	A3SFR	A3SFR
	A3RFD	A3RFD	A3RFD	A3SSF	A3SSF	A3SFW
	A3RFR	A3RFR	A3RFR	A3SFW	A3SFW	
	A3RSF	A3RSF	A3RWW			
	A3RWW	A3RWW				

CERTIFICATION cULus **E343977** for damp locations and wet locations with the shower trims

WARRANTY 5 years on LED driver

### CODIFICATION EXAMPLE



### ORDERING CODES

MODEL	SERIES	DIMMING / PERFORMANCE
<b>REA</b>	<b>3</b>	
<b>REA</b> Boîtier rénovateur Ardito	<b>3</b> 3-1/2" Series	<p><b>V1</b> 14W (1,450 lumens) 120V/277V 0-10V ELV (120V only)</p> <p><b>V2</b> 23W (2,050 lumens) 120V/277V 0-10V ELV (120V only)</p> <p><b>VL</b> 12.5W (700 lumens) 120V/277V To be used with "WD" or "CT" light engines</p> <p>WD: Warm Dimming CT: Color Tuning</p> <p>→ For more details, see page 1 (Driver (options))</p>

SPECIFICATION SHEET

# REA3V

3-1/2" Series - Ardito


## Remodel Housing



### MUD-IN-PLATE OPTION

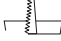
Required with the use of a flangeless trim (see installation instructions for more details)

#### ROUND

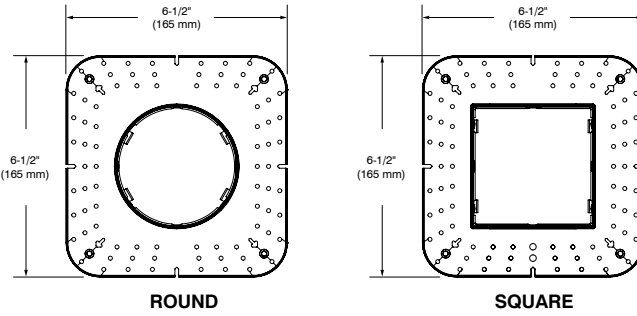
  $\varnothing$  3-3/4" (95 mm)

Code: MIPA3R

#### SQUARE

 3-3/4" (95 mm) x 3-3/4" (95 mm)

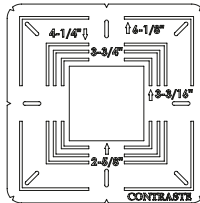
Code: MIPA3S



### REUSABLE TEMPLATE OPTION

Reusable steel cutout template for square trim

Code: TEMP-SQ



### MOUNTING PLATE OPTION

Code: PA3R<sup>NW</sup> (round)  
PA3S<sup>NW</sup> (square)

