

UR3C

3-1/2" Series Round Shower Trim



Project _____

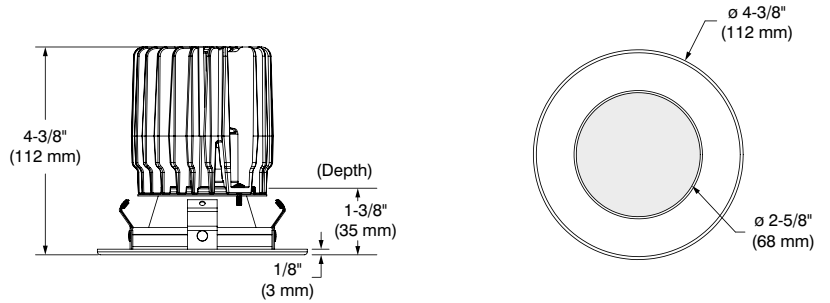
Notes _____

Fixture Type _____

Date _____



UR3CF-04BRAN (illustrated)



SPECIFICATIONS

LED MODULE

SOLID COLORS

Lumileds Luxeon CoB

2,700K - CRI: 80+

3,000K - CRI: 80+

2,700K - CRI: 90+

3,000K - CRI: 90+

3,500K - CRI: 90+

4,000K - CRI: 90+



Lumens Maintenance:

L_{70} @ 50,000 hours

Color Binning: 3 SDCM

LED MODULE (CONT'D)

WARM DIMMING (WD)

LED module mimicking the halogen lamp dimming conditions by lowering color temperature from 3,050K at full intensity down to 1,800K at low-end while ensuring 90+ CRI throughout the whole process.

Lumens Maintenance:

L_{70} @ 50,000 hours

Color Binning: 3 SDCM

DELIVERED LUMENS

Performance 1 (10W):

827 lumens @ 3,000K, 82.7 lms/W

Performance 2 (15W):

1,076 lumens @ 3,000K, 71.7 lms/W

Warm Dimming (WD)

527 lumens @ 3,000K, 35.1 lms/W

OPTIC SYSTEM*

Optical reflectors available:

Narrow Flood and Flood

Standard

Narrow Flood (M)	32°
Flood (L)	48°

* Average beams shown. Consult [ies files on our Website](#) for more details.

LENSES

Clear (C)

Frosted (F)

Frosted Clear Center (FC)

PAINTED REFLECTORS

Natural Anodized Aluminum (AN)

Matte White (11)

Matte Black (22)

POWER SUPPLY

(Determined by the choice of housing)

120V, 277V or 120V/277V

Several driver models available in two performances (10W and 15W)

and in two dimming options

(ELV and 0-10V).

See housing specification sheets for more details.

HEAT SINK

High quality aluminum injected heat sink ensuring maximum heat dissipation.

TRIM

Powder coat painted or plated die-formed steel. Double seals.

CEILING CUTOUT

ø 3-3/4" (95 mm)

UR3C

3-1/2" Series Round Shower Trim



SPECIFICATIONS (CONT'D)

COMPATIBLE HOUSINGS

	Remodel Housings	New Construction Housings	IC Housings
Performance 1 10W Warm Dimming not compatible	IC and Air Tight REUR3-120D1 REUR3-120E1 REUR3-277D1 REUR3-UV1	IC and Air Tight NWUR3-120D1 NWUR3-120E1 NWUR3-277D1 NWUR3-UV1 Emergency Driver Non-IC and Air Tight NWUR3-120D1-EM NWUR3-120E1-EM NWUR3-277D1-EM NWUR3-UV1-EM	Air Tight ISUR3-120D1 ISUR3-120E1 ISUR3-277D1 ISUR3-UV1 Chicago Plenum and Polyurethane Air Tight ISUR3-120D1P ISUR3-120E1P ISUR3-277D1P ISUR3-UV1P
Performance 2 15W MAX	Non-IC and Air Tight REUR3-120D2 REUR3-120E2 REUR3-120EB2 REUR3-2772 REUR3-277D2 REUR3-UV2	Non-IC and Air Tight NWUR3-120D2 NWUR3-120E2 NWUR3-120EB2 NWUR3-2772 NWUR3-277D2 NWUR3-UV2 Emergency Driver Non-IC and Air Tight NWUR3-120D2-EM NWUR3-120E2-EM NWUR3-120EB2-EM NWUR3-2772-EM NWUR3-277D2-EM NWUR3-UV2-EM	Air Tight ISUR3-120D2 ISUR3-120E2 ISUR3-120EB2 ISUR3-2772 ISUR3-277D2 ISUR3-UV2 Chicago Plenum Air Tight ISUR3-120D2P ISUR3-120E2P ISUR3-120EB2P ISUR3-2772P ISUR3-277D2P ISUR3-UV2P

For dimming, please visit our Web site frequently to find our suggested compatible dimmers list:

www.contrastlighting.com

Contraste suggests ordering
**EB2 (ELV (+Value)/15W),
D2 (0-10V/15W)**
or
UV2 (ELV/0-10V/15W)
dimming type and performance to use with Warm Dimming

COMPATIBLE HOUSINGS



	Remodel Housings	New Construction Housings	IC Housings
Performance 1 10W	IC and Air Tight REUR3-120D1	IC and Air Tight NWUR3-120D1	Air Tight ISUR3-120D1
Performance 2 15W	N/A	N/A	Air Tight ISUR3-120D2

CERTIFICATION

cULus **E343977** for wet locations
Certified under California Energy Commission according to reference Appendix JA8

WARRANTY

1 year on components against manufacturing defects
5 years on LED arrays and drivers

CONTRASTE

2018-01
Revision 1

PRINTED IN CANADA

1009, rue du Parc Industriel
Lévis (Québec) G6Z 1C5 Canada
Tel.: 1-888-839-4624
Fax.: 1-877-839-7057
contrastlighting.com
info@contrastlighting.com

© 2018 Contraste Lighting M.L. Inc.
All rights reserved

Contrast Lighting M.L. Inc. reserves the right to make changes in specifications and/or to discontinue any product at any time without notice or obligation and will not be liable for any consequences resulting from the use of this publication.

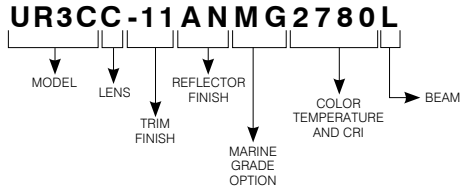
SPECIFICATION SHEET

UR3C

3-1/2" Series Round Shower Trim



CODIFICATION EXAMPLE



JA8 certified trim available with clear lens (C) and with 90+ CRI only. Not available with Warm Dimming

ORDERING CODES

MODEL	LENSES	TRIM FINISHES	REFLECTOR FINISHES	MARINE GRADE	COLOR TEMPERATURES AND CRI	BEAM
UR3C						
UR3C	C Clear	-01 White	PAINTED	MG (optional)	2780 2,700K (80+ CRI)	M Narrow Flood (32°)
	F Frosted	-03SA Satin Gold	AN Natural Anodized Aluminum 11 Matte White 22 Matte Black (Not available with -03SA finish)	May be applied on finishes: -01, -11, -22 and -25	3080 3,000K (80+ CRI)	L Flood (48°) Compatible with 15W drivers only (EB2, D2 and UV2)
	FC Frosted Clear Center	-04BR Brushed Chrome		3090 3,000K (90+ CRI)		
		-11 Matte White		3590 3,500K (90+ CRI)		
		-12BR Brushed Nickel		4090 4,000K (90+ CRI)		
		-13 Satin Nickel		WD90 Warm Dimming (90+ CRI)		
		-22 Matte Black				
		-25 Polar Grey				
		(-25 finish perfectly matches with AN reflector finish)				

GOOF RINGS

Goof rings will help you fix larger than necessary or damaged ceiling cutouts.

- Code:** **RR3-01** (White)
RR3-03SA (Satin Gold)
RR3-04BR (Brushed Chrome)
RR3-11 (Matte White)
RR3-12BR (Brushed Nickel)
RR3-13 (Satin Nickel)
RR3-22 (Matte Black)
RR3-25 (Polar Grey)

Outside diameter: ø 6-1/8" (156 mm)
 Inside diameter: ø 3-11/16" (94 mm)

MARINE GRADE

2-year warranty on finish

This option increases the painted finishes resistance by reducing and delaying apparition and propagation of oxidation (ex: rust and others).

MARINE GRADE treatment is recommended for damp to wet locations.

Unless otherwise indicated, trims are for interior use. Also suitable for cold and exterior locations, as in soffits, where fixtures are not subject to direct rain or snow exposure.

WARNING – This option is not suitable for salt environments and/or highly corrosive areas such as soffits in coastal regions and natatoriums. Such usage would void warranty on the product.

OPENING ADAPTOR

Can lip adaptor for 3-1/2" (89 mm) pot in a 4-1/4" (108 mm) opening.

Finish: Galvanized steel

Code: 312296

Outside diameter: ø 4-5/16" (110 mm)
 Inside diameter: ø 3-5/8" (92 mm)

UR3C

3-1/2" Series Round Shower Trim



PHOTOMETRIC DATA

In order to obtain the accurate photometric data, multiply the lumens relative to your product selection by the applicable factor(s) below tables. Take note these factors also need to be implemented in the .ies files available on our website.

With performance 1 housing

	Narrow Flood (32°)	
2,700K with 80+ CRI	807 lm	80.7 lm/W
3,000K with 80+ CRI	827 lm	82.7 lm/W
2,700K with 90+ CRI	670 lm	67 lm/W
3,000K with 90+ CRI	693 lm	69.3 lm/W
3,500K with 90+ CRI	731 lm	73.1 lm/W
4,000K with 90+ CRI	751 lm	75.1 lm/W
Warm Dimming with 90+ CRI	Not available With performance1 housings	

	Flood (48°)	
2,700K with 80+ CRI	807 lm	80.7 lm/W
3,000K with 80+ CRI	827 lm	82.7 lm/W
2,700K with 90+ CRI	670 lm	67 lm/W
3,000K with 90+ CRI	693 lm	69.3 lm/W
3,500K with 90+ CRI	731 lm	73.1 lm/W
4,000K with 90+ CRI	751 lm	75.1 lm/W
Warm Dimming with 90+ CRI	Not available With performance1 housings	



Performance 1 Housings Factors	
XXUR-120E1	0.90
XXUR-120D1 or XXUR-277D1	1

With performance 2 housing

	Narrow Flood (32°)	
2,700K with 80+ CRI	1,051 lm	70 lm/W
3,000K with 80+ CRI	1,076 lm	71.7 lm/W
2,700K with 90+ CRI	873 lm	58.2 lm/W
3,000K with 90+ CRI	902 lm	60.1 lm/W
3,500K with 90+ CRI	952 lm	63.4 lm/W
4,000K with 90+ CRI	978 lm	65.2 lm/W
Warm Dimming with 90+ CRI	527 lm	35.1 lm/W

	Flood (48°)	
2,700K with 80+ CRI	1,051 lm	70 lm/W
3,000K with 80+ CRI	1,076 lm	71.7 lm/W
2,700K with 90+ CRI	873 lm	58.2 lm/W
3,000K with 90+ CRI	902 lm	60.1 lm/W
3,500K with 90+ CRI	952 lm	63.4 lm/W
4,000K with 90+ CRI	978 lm	65.2 lm/W
Warm Dimming with 90+ CRI	527 lm	35.1 lm/W



Performance 2 Housings Factors	
XXUR-120E2	0.95
XXUR-120EB2, XXUR-120D2, XXUR-2772 or XXUR-277D2	1

Lens Factors	
C	1
F	0.69
FC	0.99

Reflectors Factors	
AN	0.99
11	1
22	0.97

UR3C

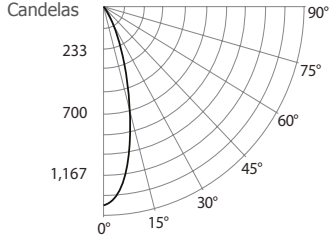
3-1/2" Series Round Shower Trim



PHOTOMETRIC DATA

3,000K, 90+ CRI, Narrow Flood, Performance 1 — WITH FROSTED LENS

CANDLEPOWER DISTRIBUTION



LIGHT CONE

Distance	FC	DIA
06'	36.9	3.5'
08'	20.8	4.7'
10'	13.3	5.9'
12'	9.2	7.1'
14'	6.8	8.3'
16'	5.2	9.5'

Beam: 33°
Beam Edge defined as 50% of Maximum Nadir Candle-power.

LUMINAIRE

Performance 1 LED	3,000K Narrow Flood	
CBCP / Lumens	1,328	/ 481.7
Watts	120V	277V
	10W	10W
Operating AMPS	0.083A	0.036A
Lumen Maintenance	L70 @ 50,000 Hrs	
CRI	90+	
Lumens/Watt	48.2	
Spacing Criteria	0.14	

COEFFICIENT OF UTILIZATION - %

Ceiling Reflect %	80			50			30		
Wall Reflect %	50	30	50	30	50	30	50	30	
RCR 0	119	119	111	111	106	106	106	106	
2	106	103	102	99	97	94	94	94	
4	96	92	93	90	87	84	84	84	
6	88	83	86	82	79	75	75	75	
8	81	76	80	76	72	68	68	68	
10	75	71	74	70	66	61	61	61	

Zonal Cavity Method
Effective Floor Cavity Reflectance 20%

ZONAL LUMEN SUMMARY

ZONE	LUMENS	%LUMINAIRE
0-30	444.4	92.3%
0-40	478.0	99.2%
0-60	481.7	100%
60-90	0.000	0%
0-90	481.7	100%

MULTIPLE UNIT DATA - (RCR 2)

SPACING ON CENTER	INITIAL FOOTCANDLES	WATTS/SQ. FT.
5'	24	0.44
6'	13	0.25
7'	9	0.17
8'	9	0.17
9'	6	0.11

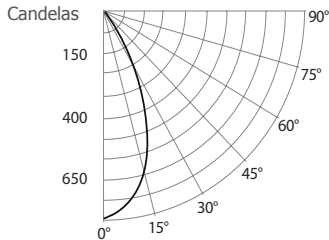
38' x 38' x 10' Room. Workplan located 2-1/2' (30").
Reflectance factor 80%/50%/30%

CANDELAS DISTRIBUTION

DEGREES/VERTICAL	CANDELAS
0	1,328
15	743
30	142
45	3
60	0
75	0
90	0

3,000K, 90+ CRI, Flood, Performance 1 — WITH FROSTED LENS

CANDLEPOWER DISTRIBUTION



LIGHT CONE

Distance	FC	DIA
06'	21.6	5.4'
08'	12.1	7.2'
10'	7.8	9.0'
12'	5.4	10.8'
14'	4.0	12.6'
16'	3.0	14.4'

Beam: 48°
Beam Edge defined as 50% of Maximum Nadir Candle-power.

LUMINAIRE

Performance 1 LED	3,000K Flood	
CBCP / Lumens	777	/ 490.1
Watts	120V	277V
	10W	10W
Operating AMPS	0.083A	0.036A
Lumen Maintenance	L70 @ 50,000 Hrs	
CRI	90+	
Lumens/Watt	49	
Spacing Criteria	0.20	

COEFFICIENT OF UTILIZATION - %

Ceiling Reflect %	80			50			30		
Wall Reflect %	50	30	50	30	50	30	50	30	
RCR 0	119	119	111	111	106	106	106	106	
2	105	101	100	97	97	94	94	94	
4	93	88	89	85	87	84	84	84	
6	83	77	81	76	79	75	75	75	
8	75	69	73	68	72	68	68	68	
10	68	62	66	62	66	61	61	61	

Zonal Cavity Method
Effective Floor Cavity Reflectance 20%

ZONAL LUMEN SUMMARY

ZONE	LUMENS	%LUMINAIRE
0-30	403.2	82.3%
0-40	472.4	96.4%
0-60	489.2	99.8%
60-90	0.9	0.2%
0-90	490.1	100%

MULTIPLE UNIT DATA - (RCR 2)

SPACING ON CENTER	INITIAL FOOTCANDLES	WATTS/SQ. FT.
5'	24	0.44
6'	13	0.25
7'	9	0.17
8'	9	0.17
9'	6	0.11

38' x 38' x 10' Room. Workplan located 2-1/2' (30").
Reflectance factor 80%/50%/30%

CANDELAS DISTRIBUTION

DEGREES/VERTICAL	CANDELAS
0	777
15	615
30	215
45	17
60	2
75	0
90	0

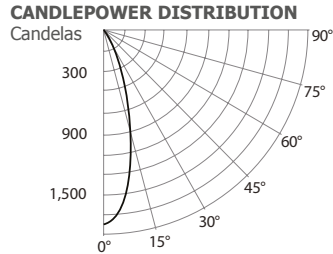
UR3C

3-1/2" Series Round Shower Trim



PHOTOMETRIC DATA

3,000K, 90+ CRI, Narrow Flood, Performance 2 — WITH FROSTED LENS



Distance	FC	DIA
06'	47.9	3.5'
08'	26.9	4.7'
10'	17.3	5.9'
12'	11.9	7.1'
14'	8.8	8.3'
16'	6.8	9.5'

Beam: 33°
Beam Edge defined as 50% of Maximum Nadir Candle-power.

LUMINAIRE	
Performance 2 LED	3,000K Narrow Flood
CBCP / Lumens	1,727 / 672
Watts	120V 277V 15W 15W
Operating AMPS	0.125A 0.054A
Lumen Maintenance	L70 @ 50,000 Hrs
CRI	90+
Lumens/Watt	41.8
Spacing Criteria	0.14

COEFFICIENT OF UTILIZATION - %					
Ceiling Reflect %	80		50		30
Wall Reflect %	50	30	50	30	50 30
RCR	0	119 119	111 111	106 106	106 106
	2	106 103	102 99	99 97	
	4	96 92	93 90	91 88	
	6	88 83	86 82	85 81	
	8	81 76	80 76	79 75	
	10	75 71	74 70	73 70	

Zonal Cavity Method
Effective Floor Cavity Reflectance 20%

ZONAL LUMEN SUMMARY

ZONE	LUMENS	%LUMINAIRE
0-30	578.3	92.2%
0-40	622.1	99.2%
0-60	627.0	100%
60-90	0.000	0%
0-90	627	100%

MULTIPLE UNIT DATA - (RCR 2)

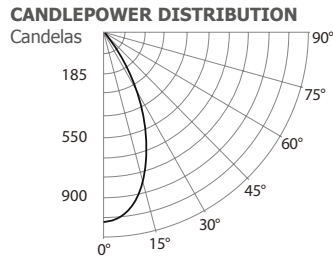
SPACING ON CENTER	INITIAL FOOTCANDLES	WATTS/ SQ. FT.
5'	31	0.66
6'	18	0.37
7'	12	0.26
8'	12	0.26
9'	8	0.17

Local 38' x 38' x 10'. Plan de travail situé à 2-1/2' (30 po).
Facteur de réflexion 80%/50%/30%

CANDELAS DISTRIBUTION

DEGREES/ VERTICAL	CANDELAS
0	1,727
15	966
30	185
45	4
60	0
75	0
90	0

3,000K, 90+ CRI, Flood, Performance 2 — WITH FROSTED LENS



Distance	FC	DIA
06'	28.1	5.4'
08'	15.8	7.2'
10'	10.1	9.0'
12'	7.0	10.8'
14'	5.2	12.6'
16'	4.0	14.4'

Beam: 48°
Beam Edge defined as 50% of Maximum Nadir Candle-power.

LUMINAIRE	
Performance 2 LED	3,000K Flood
CBCP / Lumens	1,012 / 638.1
Watts	120V 277V 15W 15W
Operating AMPS	0.125A 0.054A
Lumen Maintenance	L70 @ 50,000 Hrs
CRI	90+
Lumens/Watt	42.5
Spacing Criteria	0.20

COEFFICIENT OF UTILIZATION - %					
Ceiling Reflect %	80		50		30
Wall Reflect %	50	30	50	30	50 30
RCR	0	119 119	111 111	106 106	106 106
	2	105 101	100 97	97 94	
	4	93 88	89 85	87 84	
	6	83 77	81 76	79 75	
	8	75 69	73 68	72 68	
	10	68 62	66 62	66 61	

Zonal Cavity Method
Effective Floor Cavity Reflectance 20%

ZONAL LUMEN SUMMARY

ZONE	LUMENS	%LUMINAIRE
0-30	525	82.3%
0-40	615.2	96.4%
0-60	637.2	99.9%
60-90	0.9	0.1%
0-90	638.1	100%

MULTIPLE UNIT DATA - (RCR 2)

SPACING ON CENTER	INITIAL FOOTCANDLES	WATTS/ SQ. FT.
5'	31	0.66
6'	18	0.37
7'	12	0.26
8'	12	0.26
9'	8	0.17

Local 38' x 38' x 10'. Plan de travail situé à 2-1/2' (30 po).
Facteur de réflexion 80%/50%/30%

CANDELAS DISTRIBUTION

DEGREES/ VERTICAL	CANDELAS
0	1,012
15	800
30	279
45	23
60	2
75	0
90	0