

CARE INSTRUCTIONS

Use and care of your lamp.

You have just purchased an original handmade product by LZF. Your lamp is made out of FSC® certified natural wood with our patented veneer finish Timberlite®. This treatment both protects and safeguards the wood veneer against breakages.

Depending on the type of lamp use a feather duster, soft cleaning cloth or damp cloth for cleaning. On our more delicate shades, like those made from wood strips, a feather duster or an air blower is preferable. In our more solid shades a damp cloth may be used. Clean only the flat surface of the veneer with the cloth, and please avoid any moisture contact along the edge of the veneer.

Bulbs

We recommend using energy-saving light bulbs, like the CFL or LED bulbs. Please refer to the instruction manual or visit our website www.lzf-lamps.com to make sure you are using the right type of bulb.

You can buy bulbs directly from our company; check our catalogues for availability.

Precautions

Avoid direct sunlight, strong indirect sunlight and moisture on the lamp. Unplug the lamp before cleaning or changing the light bulb. Servicing of the electrical installation should only be performed by qualified electrical personnel by LZF.

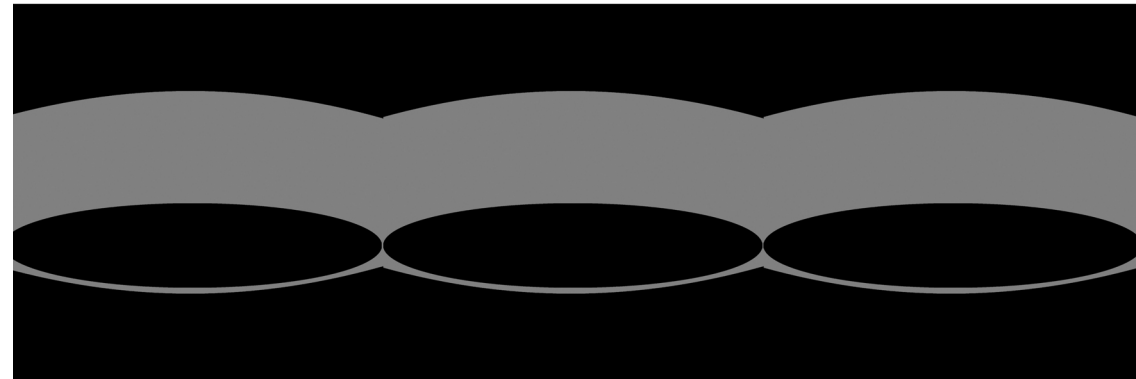


Cosmos



SET UP
USA & CANADA

COS PG E26 UL
COS PG GU24 UL

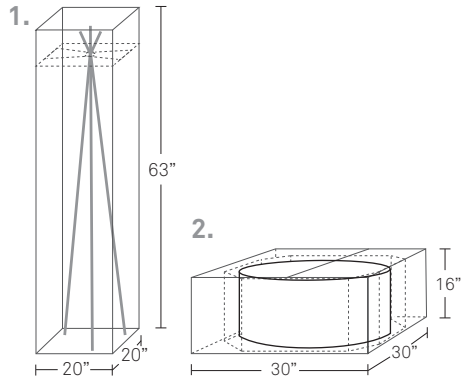


www.lzf-lamps.com
contacts@lzf-lamps.com

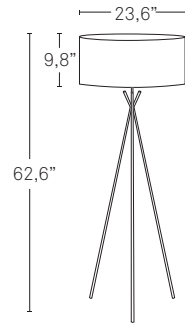
© Luziferlamps, S.L. Valencia, Spain. 2014. All rights reserved.

REV. 10-2014

Packing case



Shade Dimensions



Contains

Box 1 - Foot Shade

Box 2 - Shade

Recommended bulb

120V E26 Medium Base



CFL Globe or
3 x 26 w max.



LED Globe or
3 x 9,5 w max.



G-25 Incandescent
3 x 100 w max.

120V GU24



CFL Globe or
3 x 26 w max.



LED A19
3 x 10 w max.

Class II

Dry localitation only



Bulbs not included.

Weight

Gross 30,9 Lb

Net 12,9 Lb

Lamp mount

1. Unscrew the nut on top of the light bulb distributor. Figure A.

2. Screw the shade to the top of the distributor as shown in figures B and C and tighten hard.

