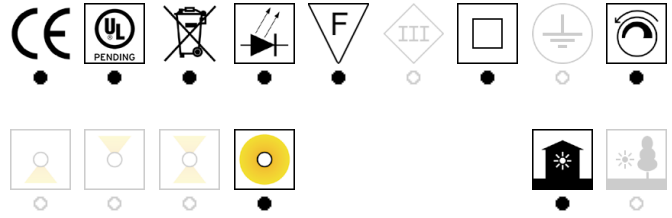


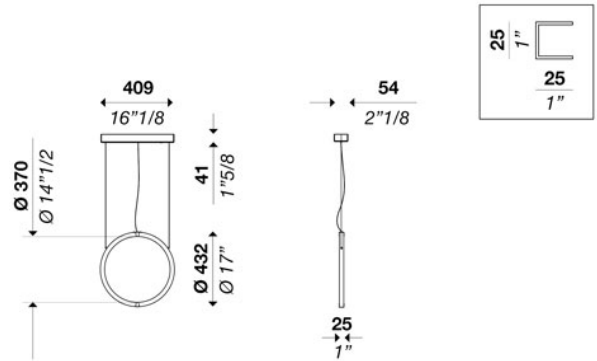
# LUNA S430 VERTICAL 0-10V 110V

ver. 20200404\_Rev\_0

year: **2021**  
code: **2670303A20000**  
type: **hanging lamp**  
application: **indoor**



**Technical drawing**  
Size ref. image mm - inch



**Technical data**

Light source	LED
Circuit structure	LED strip
Light emission direction	diffused
Power	32 W
Source lumens	4480 lm
Source efficacy	140 lm/W
Consumption	36 W
Delivered lumens	2069 lm
Luminaire efficacy	57 lm/W
Secondary	24 V
Colour temperature	3000 K / variants page 2
Colour rendering index	80 CRI / variants page 2
Standard Deviation of Colour Matching	3 SDCM
Energy class	A
Safety class	II
Degree of protection	IP 20
Direct mounting on normally flammable surfaces	●
Operating temperature	+10° / +40°
CE	●
UL	○
<b>Optional</b>	
Emergency mode	○
Motion sensor	○
Directional	○

**Packing**

Net weight	
Packaging 1	
Packaging 2	
Packaging 3	
Packaging 4	
Packaging 5	

**Structure**

Material	aluminium
Finish	white / variants page 2

**Diffuser**

Material	polymer stretch
Finish	opal / variants page 2

**Electronics / Driver**

Included	Yes
Quantity	1
Voltage	100-120V 60 Hz

**Dimmable**



**Hanging cables**

Stainless steel cables standard length (custom available)	2000 mm / 78" 3/4
Electric cable standard length (custom available)	2500 mm/100"

**Warranty**

Duration	2 years
----------	---------

# LUNA S430 VERTICAL 0-10V 110V

ver. 20200404\_Rev\_0

year: **2021**  
code: **2670303A20000**  
type: **hanging lamp**  
application: **indoor**

## Available variants

### Colour temperature

2700 k    3000 k    3500 k    4000 k    custom



### Colour rendering index

CRI 80    CRI 90    CRI 95    custom



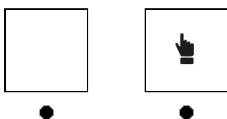
### Structure finish

gold / brass    matt white    matt black    embossed white    embossed black    custom



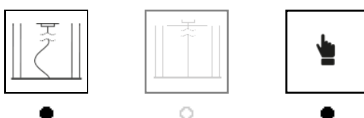
### Diffuser / Optical

opal    custom



### Ceiling Mount

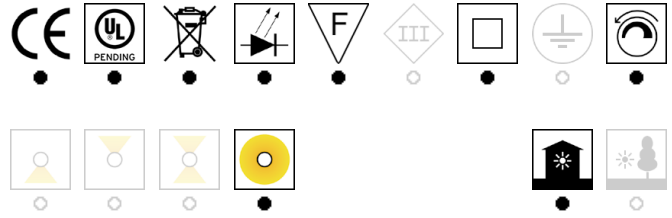
perpendicular    remote driver    custom



# LUNA S900 VERTICAL 0-10V 110V

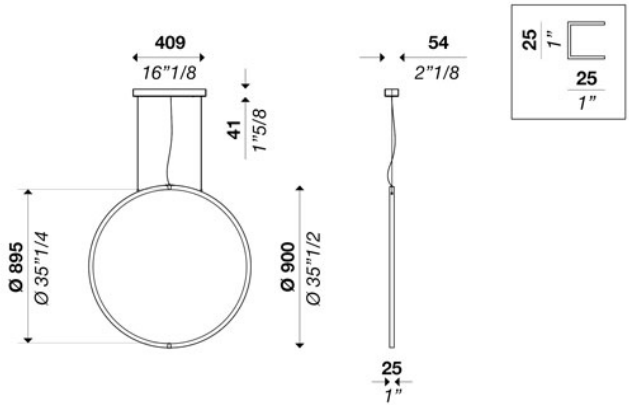
ver. 20200404\_Rev\_0

year: 2021  
code: 2670302A20000  
type: hanging lamp  
application: indoor



### Technical drawing

Size ref. image mm - inch



### Technical data

Light source	LED
Circuit structure	LED strip
Light emission direction	diffused
Power	69 W
Source lumens	9660 lm
Source efficacy	140 lm/W
Consumption	74 W
Delivered lumens	6166 lm
Luminaire efficacy	83 lm/W
Secondary	24 V
Colour temperature	3000 K / variants page 2
Colour rendering index	80 CRI / variants page 2
Standard Deviation of Colour Matching	3 SDCM
Energy class	A
Safety class	II
Degree of protection	IP 20
Direct mounting on normally flammable surfaces	●
Operating temperature	+10° / +40°
CE	●
UL	○
<b>Optional</b>	
Emergency mode	○
Motion sensor	○
Directional	○

### Packing

Net weight	
Packaging 1	
Packaging 2	
Packaging 3	
Packaging 4	
Packaging 5	

### Structure

Material	aluminium
Finish	white / variants page 2

### Diffuser

Material	polymer stretch
Finish	opal / variants page 2

### Electronics / Driver

Included	Yes
Quantity	1
Voltage	100-120V 60 Hz

### Dimmable



### Hanging cables

Stainless steel cables standard length (custom available)	2000 mm / 78" 3/4
Electric cable standard length (custom available)	2500 mm/100"

### Warranty

Duration	2 years
----------	---------

# LUNA S900 VERTICAL 0-10V 110V

ver. 20200404\_Rev\_0

year: **2021**  
code: **2670302A20000**  
type: **hanging lamp**  
application: **indoor**

## Available variants

### Colour temperature

2700 k    3000 k    3500 k    4000 k    custom



### Colour rendering index

CRI 80    CRI 90    CRI 95    custom



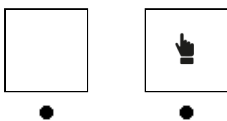
### Structure finish

gold / brass    matt white    matt black    embossed white    embossed black    custom



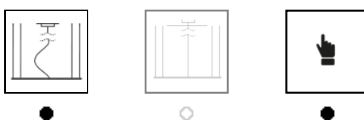
### Diffuser / Optical

opal    custom



### Ceiling Mount

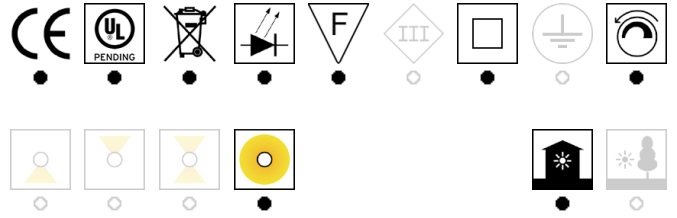
perpendicular    remote driver    custom



# LUNA S1250 VERTICAL 0-10V 110V

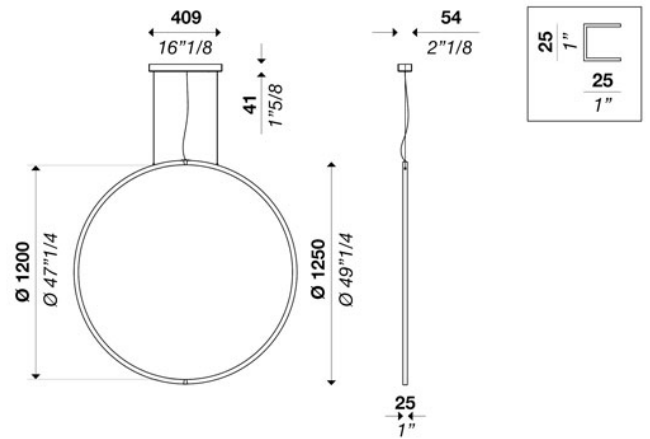
ver. 20200404\_Rev\_0

year: 2021  
code: 2670310A20000  
type: hanging lamp  
application: indoor



### Technical drawing

Size ref. image mm - inch



### Technical data

Light source	LED
Circuit structure	LED strip
Light emission direction	diffused
Power	78 W
Source lumens	10920 lm
Source efficacy	140 lm/W
Consumption	84 W
Delivered lumens	
Luminaire efficacy	lm/W
Secondary	24 V
Colour temperature	3000 K / variants page 2
Colour rendering index	80 CRI / variants page 2
Standard Deviation of Colour Matching	3 SDCM
Energy class	A
Safety class	II
Degree of protection	IP 20
Direct mounting on normally flammable surfaces	●
Operating temperature	+10° / +40°
CE	●
UL	○
<b>Optional</b>	
Emergency mode	○
Motion sensor	○
Directional	○

### Packing

Net weight	
Packaging 1	
Packaging 2	
Packaging 3	
Packaging 4	
Packaging 5	

### Structure

Material	aluminium
Finish	white / variants page 2

### Diffuser

Material	polymer stretch
Finish	opal / variants page 2

### Electronics / Driver

Included	Yes
Quantity	1
Voltage	100-120V 60 Hz

### Dimmable



### Hanging cables

Stainless steel cables standard length (custom available)	2000 mm / 78" 3/4
Electric cable standard length (custom available)	2500 mm/100"

### Warranty

Duration	2 years
----------	---------

# LUNA S1250 VERTICAL 0-10V 110V

ver. 20200404\_Rev\_0

year: **2021**  
code: **2670310A20000**  
type: **hanging lamp**  
application: **indoor**

## Available variants

### Colour temperature

2700 k    3000 k    3500 k    4000 k    custom



### Colour rendering index

CRI 80    CRI 90    CRI 95    custom



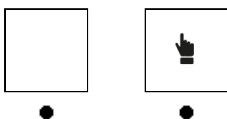
### Structure finish

gold / brass    matt white    matt black    embossed white    embossed black    custom



### Diffuser / Optical

opal    custom



### Ceiling Mount

perpendicular    remote driver    custom

