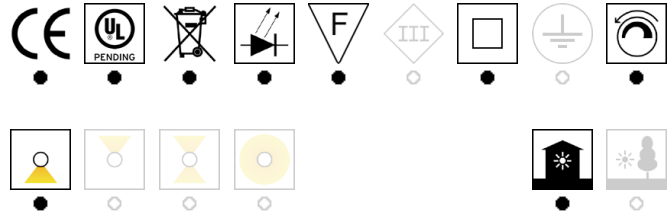


LUNA S430 HORIZONTAL DOWNWARD 0-10V 110V

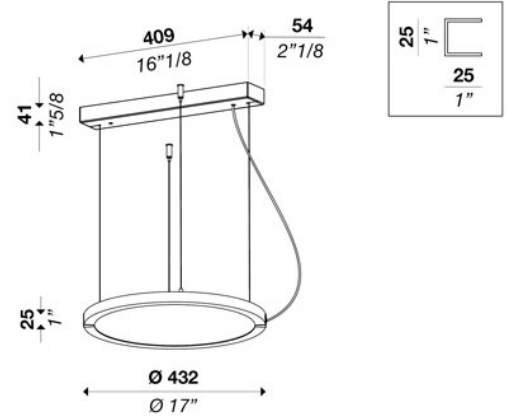
ver. 20200404_Rev_0

year: 2021
code: 2670304A20000
type: hanging lamp
application: indoor



Technical drawing

Size ref. image mm - inch



Technical data

Light source	LED
Circuit structure	LED strip
Light emission direction	direct
Power	32 W
Source lumens	4480 lm
Source efficacy	140 lm/W
Consumption	36 W
Delivered lumens	2023 lm
Luminaire efficacy	56 lm/W
Secondary	24 V
Colour temperature	3000 K / variants page 2
Colour rendering index	80 CRI / variants page 2
Standard Deviation of Colour Matching	3 SDCM
Energy class	A
Safety class	II
Degree of protection	IP 20
Direct mounting on normally flammable surfaces	●
Operating temperature	+10° / +40°
CE	●
UL	○
Optional	
Emergency mode	○
Motion sensor	○
Directional	○

Packing

Net weight	
Packaging 1	
Packaging 2	
Packaging 3	
Packaging 4	
Packaging 5	

Structure

Material	aluminium
Finish	white / variants page 2

Diffuser

Material	polymer stretch
Finish	opal / variants page 2

Electronics / Driver

Included	Yes
Quantity	1
Voltage	100-120V 60 Hz

Dimmable



Hanging cables

Stainless steel cables standard length (custom available)	2000 mm / 78" 3/4
Electric cable standard length (custom available)	2500 mm/100"

Warranty

Duration	2 years
----------	---------

LUNA S430 HORIZONTAL DOWNWARD 0-10V 110V

ver. 20200404_Rev_0

year: **2021**
code: **2670304A20000**
type: **hanging lamp**
application: **indoor**

Available variants

Colour temperature

2700 k 3000 k 3500 k 4000 k custom



Colour rendering index

CRI 80 CRI 90 CRI 95 custom



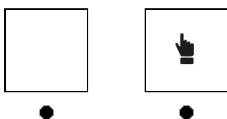
Structure finish

gold / brass matt white matt black embossed white embossed black custom



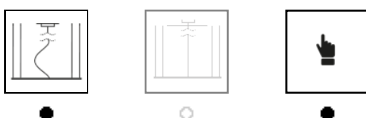
Diffuser / Optical

opal custom



Ceiling Mount

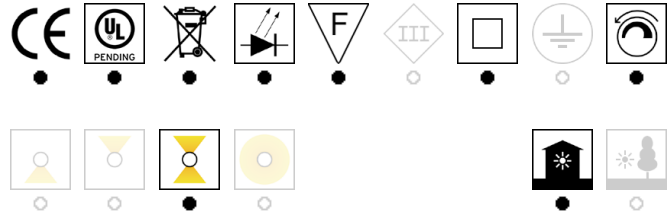
perpendicular remote driver custom



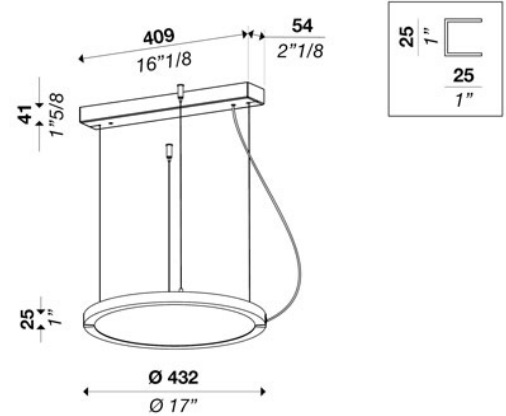
LUNA S430 HORIZONTAL UP-DOWN 0-10V 110V

ver. 20200404_Rev_0

year: 2021
code: 2670305A20000
type: hanging lamp
application: indoor



Technical drawing
Size ref. image mm - inch



Technical data

Light source	LED
Circuit structure	LED strip
Light emission direction	direct and indirect
Power	32 W
Source lumens	4480 lm
Source efficacy	140 lm/W
Consumption	36 W
Delivered lumens	2069 lm
Luminaire efficacy	57 lm/W
Secondary	24 V
Colour temperature	3000 K / variants page 2
Colour rendering index	80 CRI / variants page 2
Standard Deviation of Colour Matching	3 SDCM
Energy class	A
Safety class	II
Degree of protection	IP 20
Direct mounting on normally flammable surfaces	●
Operating temperature	+10° / +40°
CE	●
UL	○
Optional	
Emergency mode	○
Motion sensor	○
Directional	○

Packing

Net weight	
Packaging 1	
Packaging 2	
Packaging 3	
Packaging 4	
Packaging 5	

Structure

Material	aluminium
Finish	white / variants page 2

Diffuser

Material	polymer stretch
Finish	opal / variants page 2

Electronics / Driver

Included	Yes
Quantity	1
Voltage	100-120V 60 Hz

Dimmable



Hanging cables

Stainless steel cables standard length (custom available)	2000 mm / 78" 3/4
Electric cable standard length (custom available)	2500 mm/100"

Warranty

Duration	2 years
----------	---------

LUNA S430 HORIZONTAL UP-DOWN 0-10V 110V

ver. 20200404_Rev_0

year: **2021**
code: **2670305A20000**
type: **hanging lamp**
application: **indoor**

Available variants

Colour temperature

2700 k 3000 k 3500 k 4000 k custom



Colour rendering index

CRI 80 CRI 90 CRI 95 custom



Structure finish

gold / brass matt white matt black embossed white embossed black custom



Diffuser / Optical

opal custom



Ceiling Mount

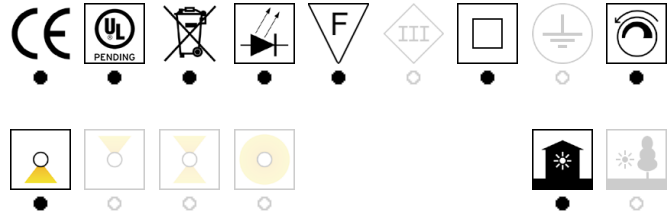
perpendicular remote driver custom



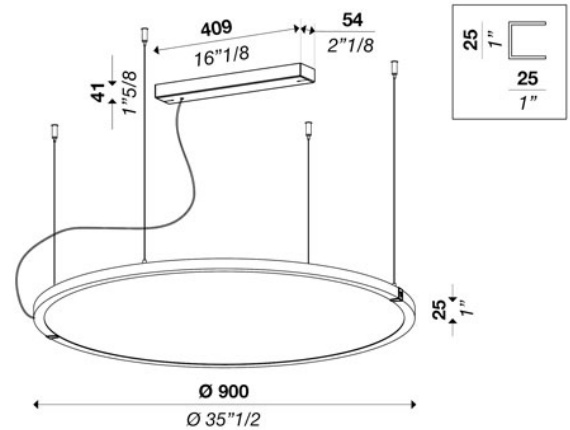
LUNA S900 HORIZONTAL DOWNWARD 0-10V 110V

ver. 20200404_Rev_0

year: **2021**
code: **2670301A20000**
type: **hanging lamp**
application: **indoor**



Technical drawing
Size ref. image mm - inch



Technical data

Light source	LED
Circuit structure	LED strip
Light emission direction	direct
Power	69 W
Source lumens	9660 lm
Source efficacy	140 lm/W
Consumption	74 W
Delivered lumens	6406 lm
Luminaire efficacy	87 lm/W
Secondary	24 V
Colour temperature	3000 K / variants page 2
Colour rendering index	80 CRI / variants page 2
Standard Deviation of Colour Matching	3 SDCM
Energy class	A
Safety class	II
Degree of protection	IP 20
Direct mounting on normally flammable surfaces	●
Operating temperature	+10° / +40°
CE	●
UL	○
Optional	
Emergency mode	○
Motion sensor	○
Directional	○

Packing

Net weight	
Packaging 1	
Packaging 2	
Packaging 3	
Packaging 4	
Packaging 5	

Structure

Material	aluminium
Finish	white / variants page 2

Diffuser

Material	polymer stretch
Finish	opal / variants page 2

Electronics / Driver

Included	Yes
Quantity	1
Voltage	100-120V 60 Hz

Dimmable



Hanging cables

Stainless steel cables standard length (custom available)	2000 mm / 78" 3/4
Electric cable standard length (custom available)	2500 mm/100"

Warranty

Duration	2 years
----------	---------

LUNA S900 HORIZONTAL DOWNWARD 0-10V 110V

ver. 20200404_Rev_0

year: **2021**
code: **2670301A20000**
type: **hanging lamp**
application: **indoor**

Available variants

Colour temperature

2700 k 3000 k 3500 k 4000 k custom



Colour rendering index

CRI 80 CRI 90 CRI 95 custom



Structure finish

gold / brass matt white matt black embossed white embossed black custom



Diffuser / Optical

opal custom



Ceiling Mount

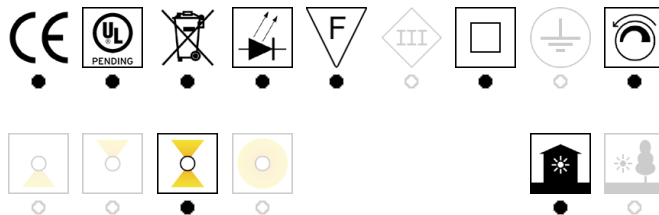
perpendicular remote driver custom



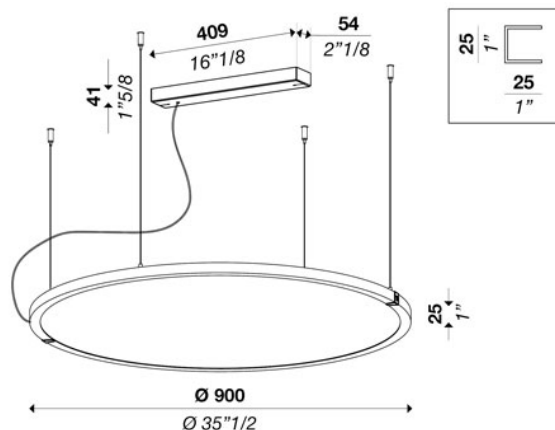
LUNA S900 HORIZONTAL UP-DOWN 0-10V 110V

ver. 20200404_Rev_0

year: 2021
code: 2670307A20000
type: hanging lamp
application: indoor



Technical drawing
Size _____ ref. image mm - inch



Technical data

Light source	LED
Circuit structure	LED strip
Light emission direction	direct and indirect
Power	69 W
Source lumens	9660 lm
Source efficacy	140 lm/W
Consumption	74 W
Delivered lumens	6166 lm
Luminaire efficacy	83 lm/W
Secondary	24 V
Colour temperature	3000 K / variants page 2
Colour rendering index	80 CRI / variants page 2
Standard Deviation of Colour Matching	3 SDCM
Energy class	A
Safety class	II
Degree of protection	IP 20
Direct mounting on normally flammable surfaces	●
Operating temperature	+10° / +40°
CE	●
UL	○
Optional	
Emergency mode	○
Motion sensor	○
Directional	○

Packing

Net weight	
Packaging 1	
Packaging 2	
Packaging 3	
Packaging 4	
Packaging 5	

Structure

Material	aluminium
Finish	white / variants page 2

Diffuser

Material	polymer stretch
Finish	opal / variants page 2

Electronics / Driver

Included	Yes
Quantity	1
Voltage	100-120V 60 Hz

Dimmable



Hanging cables

Stainless steel cables standard length (custom available)	2000 mm / 78" 3/4
Electric cable standard length (custom available)	2500 mm/100"

Warranty

Duration	2 years
----------	---------

LUNA S900 HORIZONTAL UP-DOWN 0-10V 110V

ver. 20200404_Rev_0

year: **2021**
code: **2670307A20000**
type: **hanging lamp**
application: **indoor**

Available variants

Colour temperature

2700 k 3000 k 3500 k 4000 k custom



Colour rendering index

CRI 80 CRI 90 CRI 95 custom



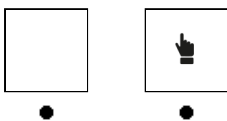
Structure finish

gold / brass matt white matt black embossed white embossed black custom



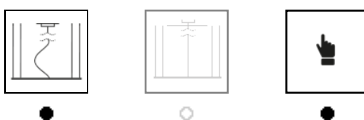
Diffuser / Optical

opal custom



Ceiling Mount

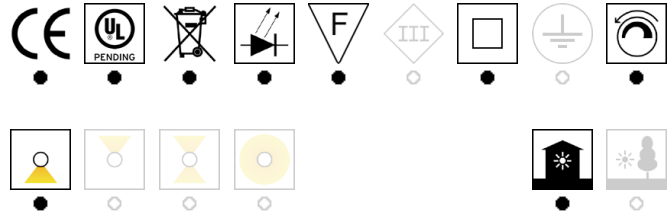
perpendicular remote driver custom



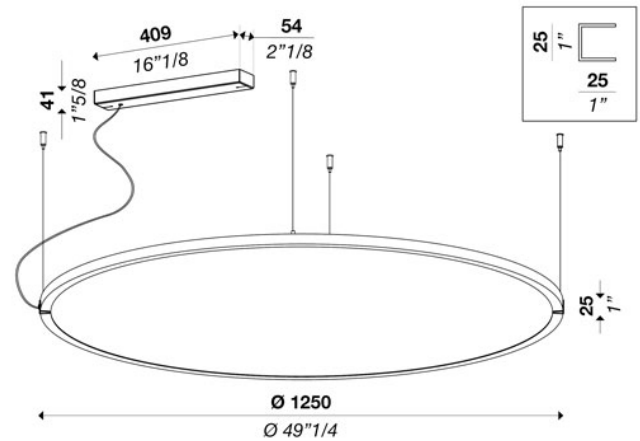
LUNA S1250 HORIZONTAL DOWNWARD 0-10V 110V

ver. 20200404_Rev_0

year: **2021**
code: **2670311A20000**
type: **hanging lamp**
application: **indoor**



Technical drawing
Size ref. image mm - inch



Technical data

Light source	LED
Circuit structure	LED strip
Light emission direction	direct
Power	78 W
Source lumens	10920 lm
Source efficacy	140 lm/W
Consumption	84 W
Delivered lumens	8935 lm
Luminaire efficacy	106 lm/W
Secondary	24 V
Colour temperature	3000 K / variants page 2
Colour rendering index	80 CRI / variants page 2
Standard Deviation of Colour Matching	3 SDCM
Energy class	A
Safety class	II
Degree of protection	IP 20
Direct mounting on normally flammable surfaces	●
Operating temperature	+10° / +40°
CE	●
UL	○
Optional	
Emergency mode	○
Motion sensor	○
Directional	○

Packing

Net weight	
Packaging 1	
Packaging 2	
Packaging 3	
Packaging 4	
Packaging 5	

Structure

Material	aluminium
Finish	white / variants page 2

Diffuser

Material	polymer stretch
Finish	opal / variants page 2

Electronics / Driver

Included	Yes
Quantity	1
Voltage	100-120V 60 Hz

Dimmable



Hanging cables

Stainless steel cables standard length (custom available)	2000 mm / 78" 3/4
Electric cable standard length (custom available)	2500 mm/100"

Warranty

Duration	2 years
----------	---------

LUNA S1250 HORIZONTAL DOWNWARD 0-10V 110V

ver. 20200404_Rev_0

year: **2021**
code: **2670311A20000**
type: **hanging lamp**
application: **indoor**

Available variants

Colour temperature

2700 k 3000 k 3500 k 4000 k custom



Colour rendering index

CRI 80 CRI 90 CRI 95 custom



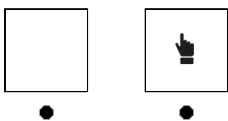
Structure finish

gold / brass matt white matt black embossed white embossed black custom



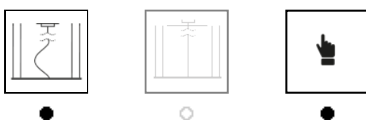
Diffuser / Optical

opal custom



Ceiling Mount

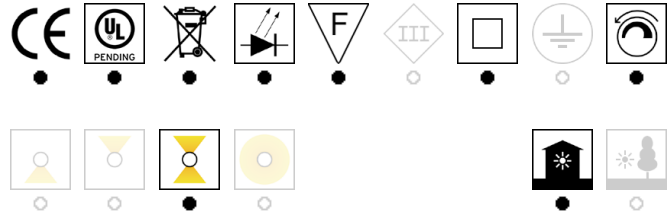
perpendicular remote driver custom



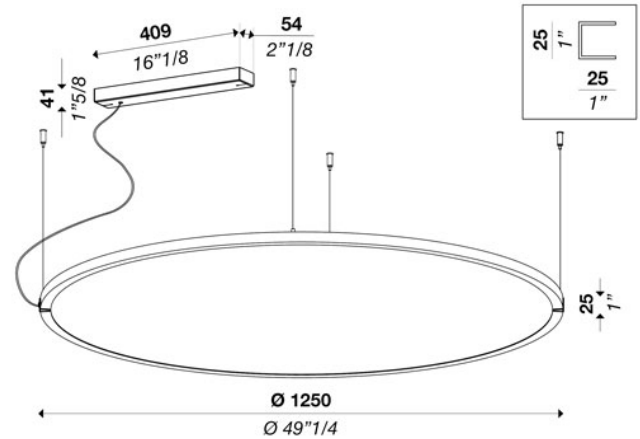
LUNA S1250 HORIZONTAL UP-DOWN 0-10V 110V

ver. 20200404_Rev_0

year: 2021
code: 2670309A20000
type: hanging lamp
application: indoor



Technical drawing
Size ref. image mm - inch



Technical data

Light source	LED
Circuit structure	LED strip
Light emission direction	direct and indirect
Power	78 W
Source lumens	10920 lm
Source efficacy	140 lm/W
Consumption	84 W
Delivered lumens	
Luminaire efficacy	lm/W
Secondary	24 V
Colour temperature	3000 K / variants page 2
Colour rendering index	80 CRI / variants page 2
Standard Deviation of Colour Matching	3 SDCM
Energy class	A
Safety class	II
Degree of protection	IP 20
Direct mounting on normally flammable surfaces	●
Operating temperature	+10° / +40°
CE	●
UL	○
Optional	
Emergency mode	○
Motion sensor	○
Directional	○

Packing

Net weight	
Packaging 1	
Packaging 2	
Packaging 3	
Packaging 4	
Packaging 5	

Structure

Material	aluminium
Finish	white / variants page 2

Diffuser

Material	polymer stretch
Finish	opal / variants page 2

Electronics / Driver

Included	Yes
Quantity	1
Voltage	100-120V 60 Hz

Dimmable



Hanging cables

Stainless steel cables standard length (custom available)	2000 mm / 78" 3/4
Electric cable standard length (custom available)	2500 mm/100"

Warranty

Duration	2 years
----------	---------

LUNA S1250 HORIZONTAL UP-DOWN 0-10V 110V

ver. 20200404_Rev_0

year: **2021**
code: **2670309A20000**
type: **hanging lamp**
application: **indoor**

Available variants

Colour temperature

2700 k 3000 k 3500 k 4000 k custom



Colour rendering index

CRI 80 CRI 90 CRI 95 custom



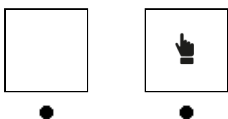
Structure finish

gold / brass matt white matt black embossed white embossed black custom



Diffuser / Optical

opal custom



Ceiling Mount

perpendicular remote driver custom

