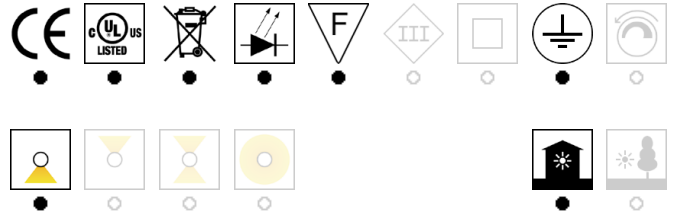


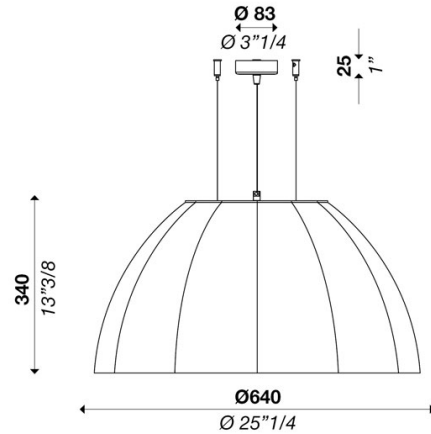
TESSA S640 E26 ON-OFF 110V

ver. 20200404_Rev_0

year: 2019
code: 2560301A04606
type: hanging lamp
application: indoor



Technical drawing ref. image mm - inch



Technical data

Light source	LED bulb
Circuit structure	LED bulb
Light emission direction	direct
Power	1x MAX 20W E26
Source lumens	-
Source efficacy	-
Consumption	-
Delivered lumens	-
Luminaire efficacy	-
Secondary	-
Colour temperature	-
Colour rendering index	-
Standard Deviation of Colour Matching	-
Energy class	A
Safety class	I
Degree of protection	IP 20
Direct mounting on normally flammable surfaces	●
Operating temperature	+10° / +40°
CE	●
UL	●
Optional	
Emergency mode	○
Motion sensor	○
Directional	○

Packing

Net weight	
Packaging 1	
Packaging 2	
Packaging 3	
Packaging 4	
Packaging 5	

Structure

Material	steel
Finish	titanium / variants page 2

Diffuser

Material	
Finish	

Canopy

Size	83 mm - 3" 1/4 inch
Height	25 mm - 1" inch
Ceiling mount	perpendicular / variants page 2

Lampshade

Material	pure new wool
Finish	grey / variants page 2

Electronics / Driver

Included	No
Quantity	
Voltage	100-120V 60 Hz

Dimmable



Hanging cables

Stainless steel cables standard length (custom available)	2000 mm / 78" 3/4
Electric cable standard length (custom available)	2500 mm/100" fabric-textile-tessile

Warranty

Duration	2 years
----------	---------

TESSA S640 E26 ON-OFF 110V

ver. 20200404_Rev_0

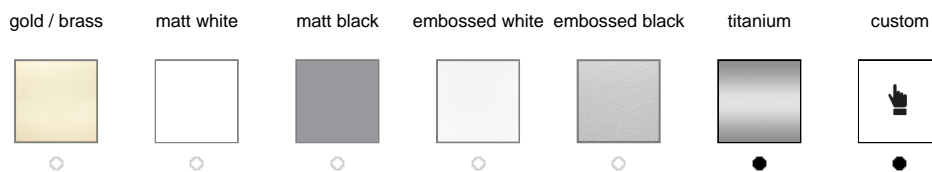
year: **2019**
code: **2560301A04606**
type: **hanging lamp**
application: **indoor**

Available variants

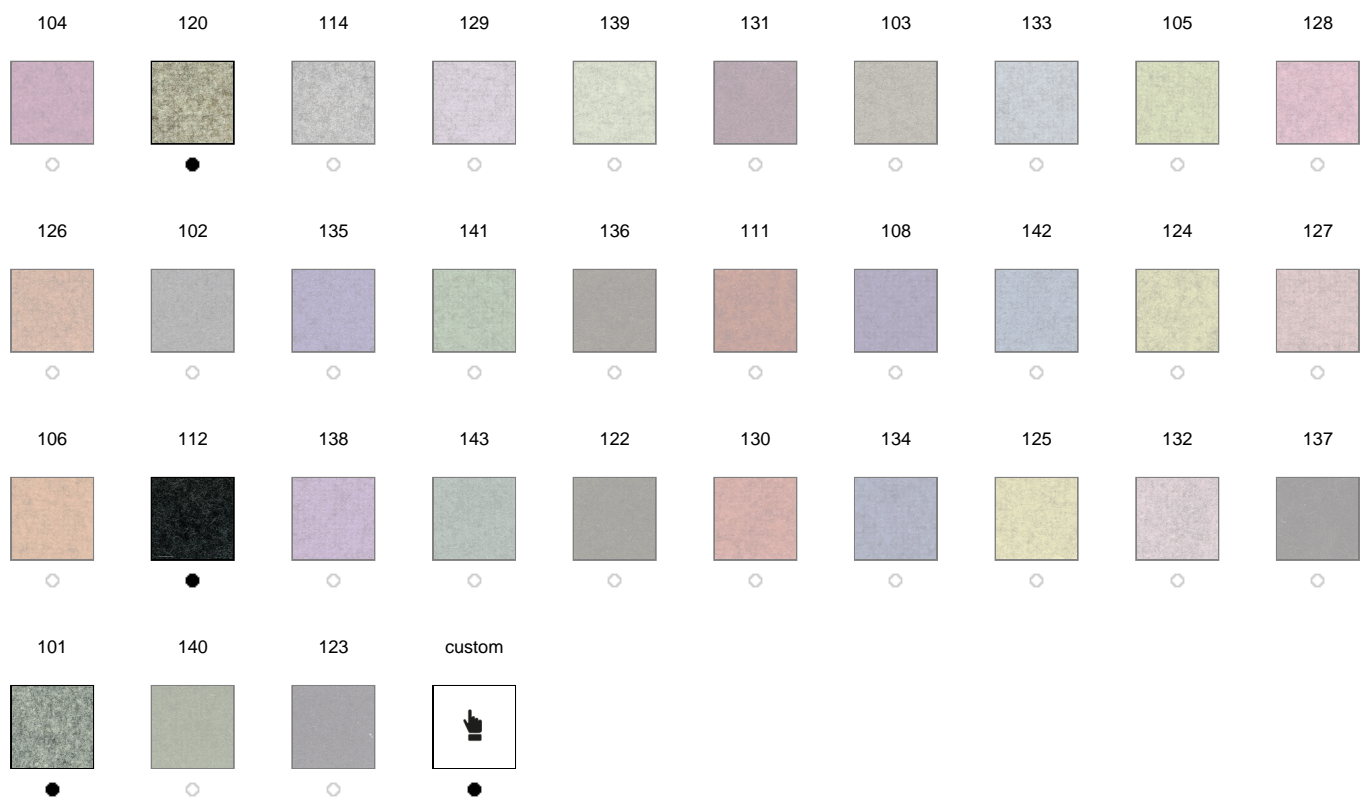
Colour temperature



Structure finish



Secondary finish



Ceiling Mount

perpendicular



conical



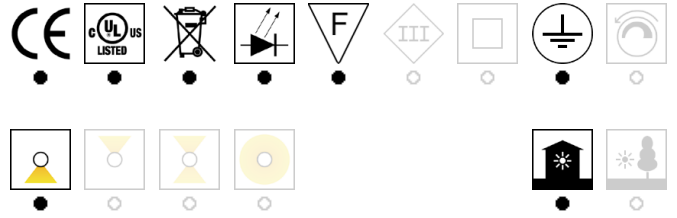
custom



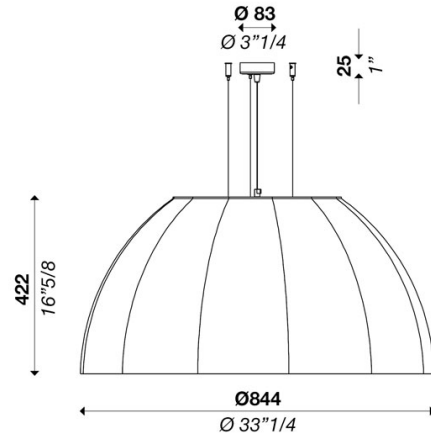
TESSA S840 E26 ON-OFF 110V

ver. 20200404_Rev_0

year: 2019
code: 2560302A04606
type: hanging lamp
application: indoor



Technical drawing
Size ref. image mm - inch



Technical data

Light source	LED bulb
Circuit structure	LED bulb
Light emission direction	direct
Power	1x MAX 20W E26
Source lumens	-
Source efficacy	-
Consumption	-
Delivered lumens	-
Luminaire efficacy	-
Secondary	-
Colour temperature	-
Colour rendering index	-
Standard Deviation of Colour Matching	-
Energy class	A
Safety class	I
Degree of protection	IP 20
Direct mounting on normally flammable surfaces	●
Operating temperature	+10° / +40°
CE	●
UL	●
Optional	
Emergency mode	○
Motion sensor	○
Directional	○

Packing

Net weight	
Packaging 1	
Packaging 2	
Packaging 3	
Packaging 4	
Packaging 5	

Structure

Material	steel
Finish	titanium / variants page 2

Diffuser

Material	polycarbonate
Finish	opal

Canopy

Size	83 mm - 3" 1/4 inch
Height	25 mm - 1" inch
Ceiling mount	perpendicular / variants page 2

Lampshade

Material	pure new wool
Finish	grey / variants page 2

Electronics / Driver

Included	No
Quantity	
Voltage	100-120V 60 Hz

Dimmable



Hanging cables

Stainless steel cables standard length (custom available)	2000 mm / 78" 3/4
Electric cable standard length (custom available)	2500 mm/100" fabric-textile-tessile

Warranty

Duration	2 years
----------	---------

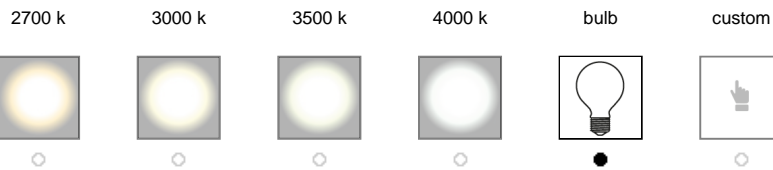
TESSA S840 E26 ON-OFF 110V

ver. 20200404_Rev_0

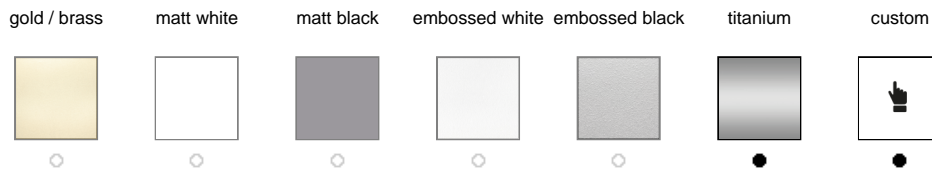
year: **2019**
code: **2560302A04606**
type: **hanging lamp**
application: **indoor**

Available variants

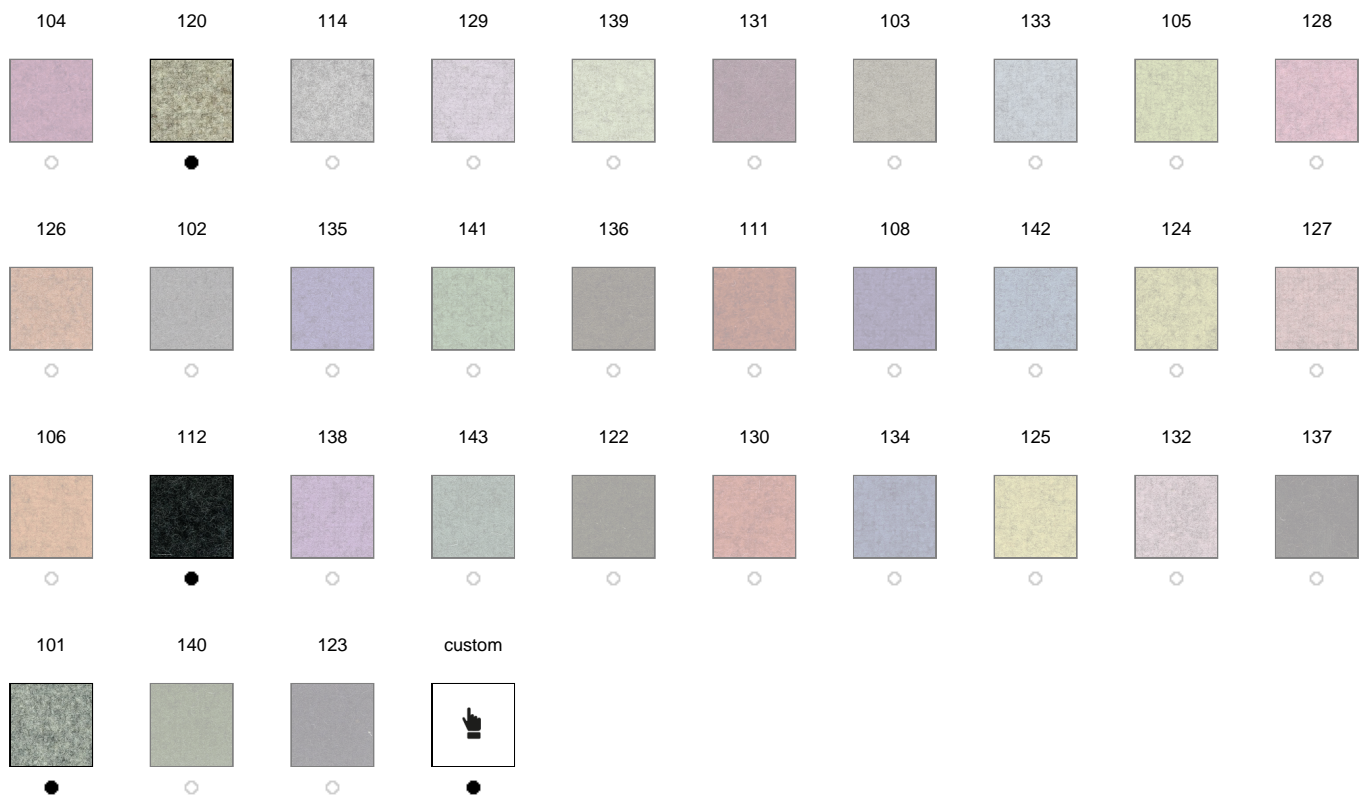
Colour temperature



Structure finish



Secondary finish



Ceiling Mount

perpendicular



conical



custom

