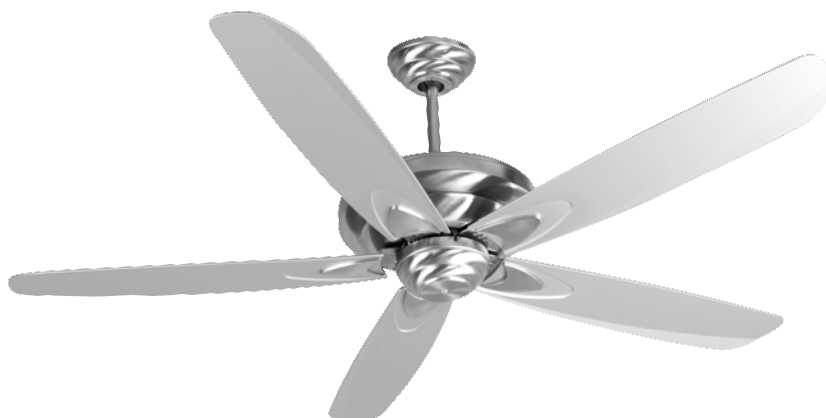


Craftmade

CEILING FANS

Est. 1985

READ THESE INSTRUCTIONS AND
SAVE THEM FOR FUTURE USE



Installation Guide

For Model:
ZE56, Zena

Table of Contents:

- Safety Tips. pg. 1
- Unpacking Your Fan. pg. 2
- Parts Inventory. pg. 2
- Installation Preparation. pg. 3
- Hanging Bracket Installation. pg. 3
- Fan Assembly. pgs. 4 - 5
- Wiring. pg. 5
- Canopy Assembly. pg. 6
- Blade Assembly. pg. 6
- Switch Housing Assembly. pg. 7
- Testing Your Fan. pg. 7
- Light Kit Assembly (optional). pg. 8
- Troubleshooting. pg. 9
- Parts Replacement. pg. 9
- Warranty. pg. 9



net weight of fan: 19.80 lb (9.00 kg)

PRINTED IN CHINA

SAFETY TIPS.

WARNING: To reduce the risk of electrical shock, turn off the electricity to the fan at the main fuse box or circuit panel before you begin the fan installation or before servicing the fan or installing accessories.

1. **READ ALL INSTRUCTIONS AND SAFETY INFORMATION CAREFULLY BEFORE INSTALLING YOUR FAN AND SAVE THESE INSTRUCTIONS.**

CAUTION: To avoid personal injury, the use of gloves may be necessary while handling fan parts with sharp edges.

2. Make sure all electrical connections comply with Local Codes or Ordinances, the National Electrical Code, and ANSI/NFPA 70-1999. If you are unfamiliar with electrical wiring or if the house/building wires are different colors than those referred to in the instructions, please use a qualified electrician.
3. Make sure you have a location selected for your fan that allows clear space for the blades to rotate, and at least seven (7) feet (2.13 meters) of clearance between the floor and the fan blade tips. The fan should be mounted so that the tips of the blades are at least thirty (30) inches (76 centimeters) from walls or other upright structures.
4. The outlet box and ceiling support joist used must be securely mounted, and capable of supporting at least 35 pounds (16 kilograms). The box must be supported directly by the building structure. Use only CUL (Canada) or UL (USA) listed outlet boxes marked "FOR FAN SUPPORT."

WARNING: To reduce the risk of fire, electrical shock, or personal injury, mount to the outlet box marked "Acceptable for Fan Support of 15.9 kg (35 lb) or less," and use the mounting screws provided with the outlet box. Most outlet boxes commonly used for the support of lighting fixtures are not acceptable for fan support and may need to be replaced. Consult a qualified electrician if in doubt.

WARNING: To reduce the risk of fire, electrical shock, or personal injury, wire connectors provided with this fan are designed to accept only one 12 gauge house wire and two lead wires from the fan. If your house wire is larger than 12 gauge or there is more than one house wire to connect to the corresponding fan lead wires, consult an electrician for the proper size wire connectors to use.

5. Electrical diagrams are for reference only. Light kits that are not packed with the fan must be CUL (Canada) or UL (USA) listed and marked suitable for use with the model fan you are installing. Switches must be CUL (Canada) or UL (USA) general use switches. Refer to the instructions packaged with the light kits and switches for proper assembly.
6. After installation is complete, check that all connections are absolutely secure.
7. After making electrical connections, spliced conductors should be turned upward and pushed carefully up into the outlet box. The wires should be spread apart with the grounded conductor and the equipment-grounding conductor on opposite sides of the outlet box.

WARNING: To reduce the risk of fire or electrical shock, do not use this fan with any solid state speed control device or control fan speed with a full range dimmer switch. [Using a full range dimmer switch to control fan speed will cause a loud humming noise from fan.] (**Note:** This fan *is* suitable for use with remote control.)

8. Do not operate the reverse switch until fan has come to a complete stop.
9. Do not insert anything between the fan blades while they are rotating.

WARNING: To reduce the risk of personal injury, do not bend the blade arms during assembly or after installation. Do not insert objects into the path of the blades.

WARNING: To avoid personal injury or damage to the fan and other items, be cautious when working around or cleaning the fan.

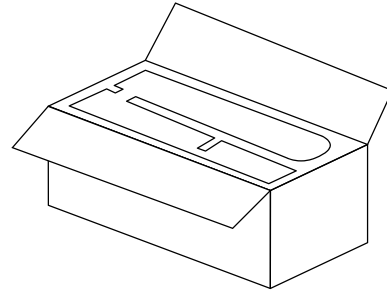
10. Do not use water or detergents when cleaning the fan or fan blades. A dry dust cloth or lightly dampened cloth will be suitable for most cleaning.

WARNING: To reduce the risk of personal injury, use **only** parts provided with this fan. **The use of parts OTHER than those provided with this fan will void the warranty.**

NOTE: The important safety precautions and instructions appearing in the manual are not meant to cover all possible conditions and situations that may occur. It must be understood that common sense and caution are necessary factors in the installation and operation of this fan.

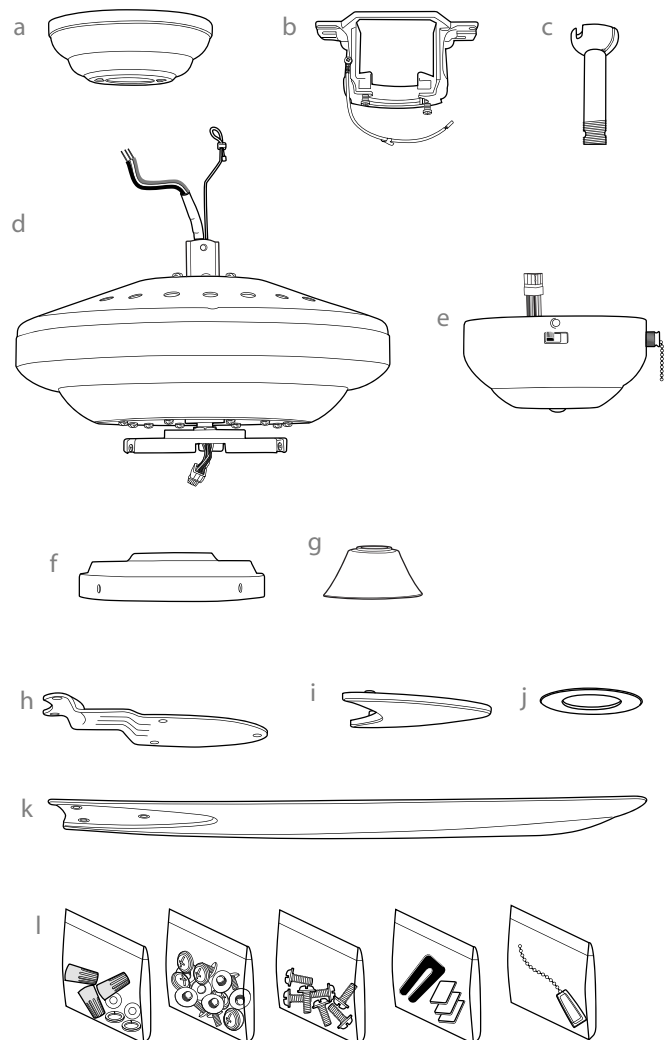
1. Unpacking Your Fan.

Carefully open the packaging. Remove items from Styrofoam inserts. Remove motor housing and place on carpet or Styrofoam to avoid damage to finish. Do not discard fan carton or Styrofoam inserts should this fan need to be returned for repairs. Check against parts inventory that all parts have been included.



2. Parts Inventory.

- a.** canopy. 1 piece
- b.** hanging bracket. 1 piece
- c.** downrod and hanging ball. 1 piece
- d.** motor housing. 1 piece
- e.** switch housing. 1 piece
- f.** switch housing plate. 1 piece
- g.** yoke cover. 1 piece
- h.** blade arm. 5 pieces
- i.** blade plate. 5 pieces
- j.** canopy cover (in hardware pack). 1 piece
- k.** blade. 5 pieces
- l.** hardware packs



⚠ IMPORTANT REMINDER: You must use the parts provided with this fan for proper installation and safety. **⚠**

3. Installation Preparation.

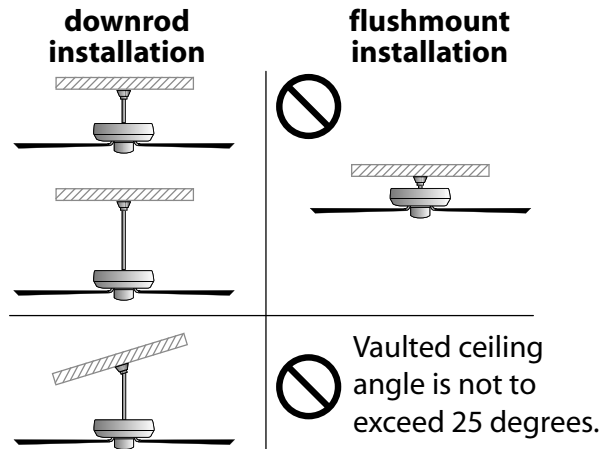
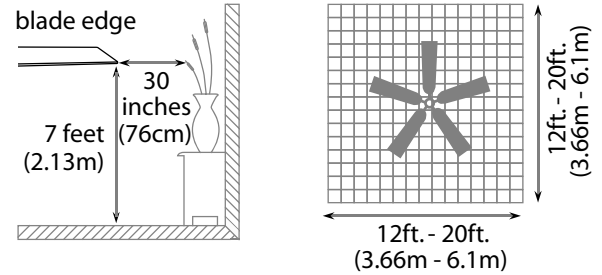
To prevent personal injury and damage, ensure that the hanging location allows the blades a clearance of 7ft. (2.13m) from the floor and 30in. (76cm) from any wall or obstruction.

This fan is suitable for room sizes up to 400 square feet (37.2 square meters).

This fan can be mounted with a **downrod** on a regular (no-slope) or vaulted ceiling. The hanging length can be extended by purchasing a longer downrod (0.5in./1.27cm diameter). Other installation, such as **flushmount**, is *not* available for this fan.

Installation requires these tools:

Phillips screwdriver, flat-head screwdriver, adjustable pliers or wrench, stepladder, wire cutters, and rated electrical tape.



4. Hanging Bracket Installation.

Turn off circuit breakers to current fixture from breaker panel and be sure operating light switch is turned to the OFF position.

WARNING: Failure to disconnect power supply prior to installation may result in serious injury.

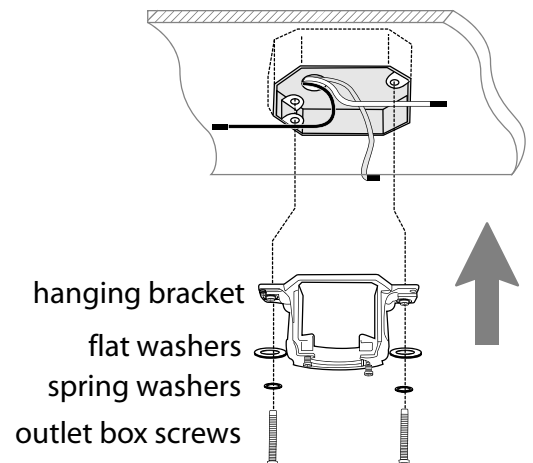
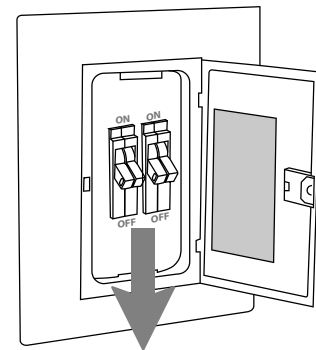
Remove existing fixture.

WARNING: When using an existing outlet box, be sure the outlet box is securely attached to the building structure and can support the full weight of the fan. Ensure outlet box is clearly marked "Suitable for Fan Support." If not, it must be replaced with an approved outlet box. Failure to do so can result in serious injury.

CAUTION: Be sure outlet box is grounded properly and that a ground wire (**GREEN** or bare) is present.

Install hanging bracket to outlet box using original screws, spring washers and flat washers provided with new or original outlet box.* If installing on a vaulted ceiling, face opening of hanging bracket towards high point of ceiling. Arrange electrical wiring around the back of the hanging bracket and away from the bracket opening.

***Note:** It is very important that you use the proper hardware when installing the hanging bracket as this will support the fan.



5. Fan Assembly

Remove hanging ball from downrod provided by loosening set screw on hanging ball. Lower hanging ball and remove stop pin and then slide hanging ball off of the downrod. [Refer to **diagram 1**.]

Loosen yoke set screws and nuts at top of motor housing. Remove pin and clip from motor housing yoke. [Refer to **diagram 2**.]

Tip: To prepare for threading electrical wires through downrod, apply a small piece of electrical tape to the ends of the electrical wires--this will keep the wires together when threading them through the downrod. [Refer to **diagram 2**.]

Determine the length of downrod you wish to use. Thread safety cable and electrical wires through threaded end of downrod and pull extra wire slack from the upper end of the downrod. [Refer to **diagram 2**.]

Thread downrod into the motor housing yoke until holes for pin and clip in downrod align with holes in yoke--*make sure wires do not get twisted*. Re-insert pin and clip that were previously removed. Tighten yoke set screws and nuts securely. [Refer to **diagram 2**.]

Locate canopy cover in hardware pack. Slide yoke cover, canopy cover and canopy over downrod. [Refer to **diagram 3**.] (**Note:** Canopy cover must be turned with shiny side *toward* the motor housing.)

Thread safety cable and wires through hanging ball; then slide hanging ball over downrod--the top of the downrod should be noted as having a set screw hole; use this hole when setting the set screw. Insert stop pin into top of downrod and raise hanging ball. Be sure stop pin aligns with slots on the inside of the hanging ball. Tighten set screw securely. [Refer to **diagram 4**.]

WARNING: Failure to tighten set screw completely could result in the fan becoming loose and possibly falling.

["Fan Assembly" continued on next page.]

NOTE: The important safety precautions and instructions appearing in the manual are not meant to cover all possible conditions and situations that may occur. It must be understood that common sense and caution are necessary factors in the installation and operation of this fan.

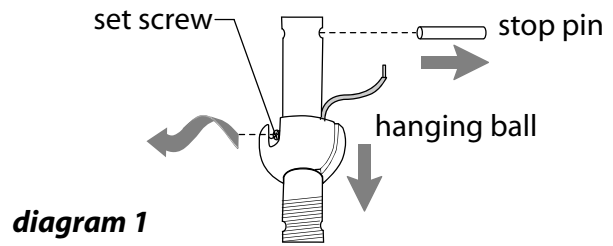


diagram 1

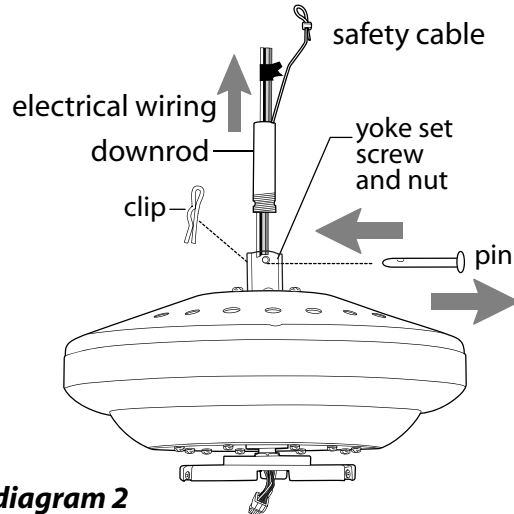


diagram 2

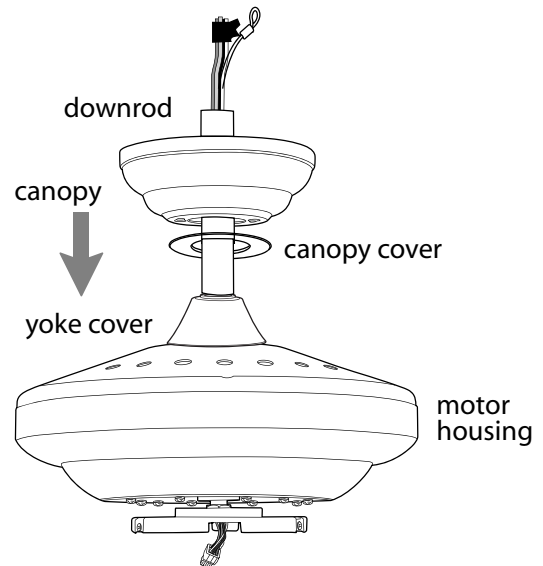


diagram 3

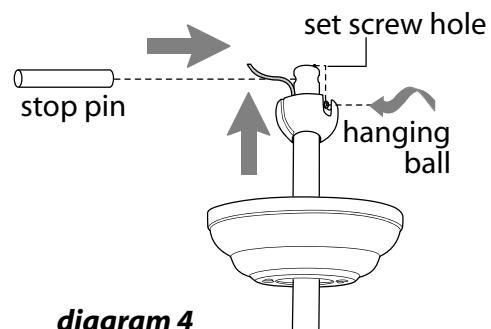


diagram 4

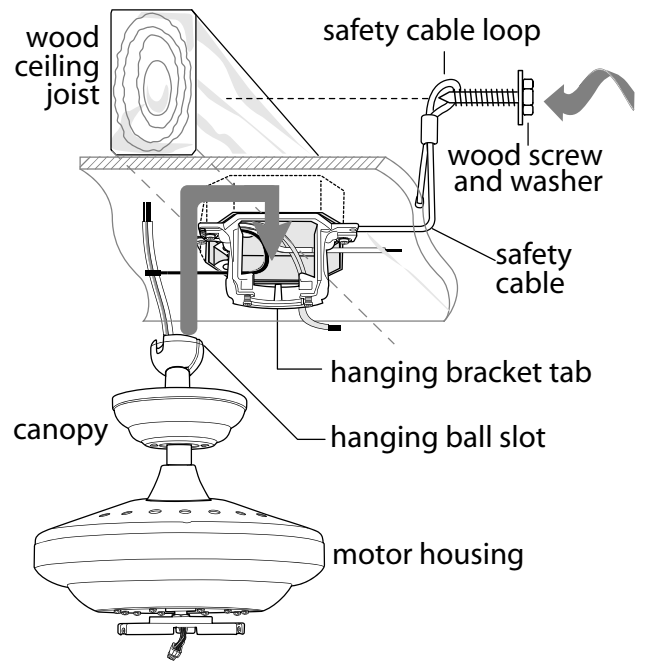
5. Fan Assembly. (cont.)

With the hanging bracket secured to the outlet box and able to support the fan, you are now ready to hang your fan. Grab the fan firmly with two hands. Slide downrod through opening in hanging bracket and let hanging ball rest on the hanging bracket. Turn the hanging ball slot until it lines up with the hanging bracket tab.

WARNING: Failure to align slot in hanging ball with tab in hanging bracket may result in serious injury or death.

Tip: Seek the help of another person to hold the stepladder in place and to help lift the fan up to you once you are set on the ladder.

Find a secure attachment point (wood ceiling joist highly recommended) and secure safety cable. It will be necessary to use a heavy duty wood screw, washer and lock washer (not supplied) with the safety cable loop. If necessary, adjust the loop at the end of the safety cable. The loop at the end of the safety cable should just fit over the threads on the wood screw. Test safety cable by pulling on loose end with pliers. If safety cable slips, the loop must be adjusted tighter. Extra cable slack can be left in ceiling area.



6. Wiring.

CAUTION: Be sure outlet box is properly grounded and that a ground wire (**GREEN** or Bare) is present.

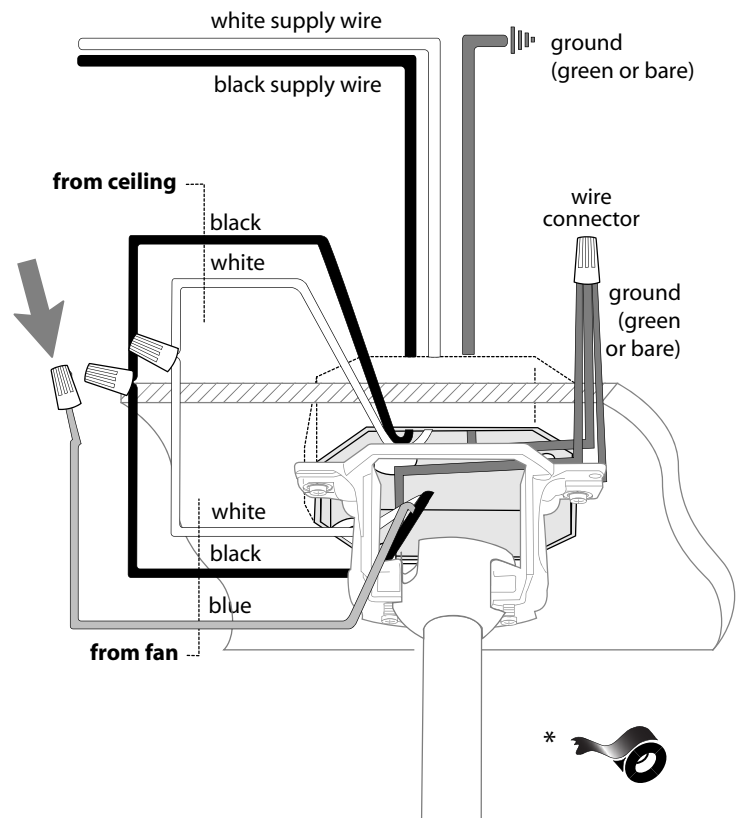
Make sure all electrical connections comply with Local Codes or Ordinances and the National Electrical Code. If you are unfamiliar with electrical wiring or if the house/building wires are different colors than those referred to below, please use a qualified electrician.

Note: Excess lead wire length from the fan can be cut to the desired length and then stripped.

When downrod is secured in place on the hanging bracket, electrical wiring can be made as follows: Connect **BLACK** wire from fan to **BLACK** wire from ceiling with wire connector provided. Connect **WHITE** wire from fan to **WHITE** wire from ceiling with wire connector provided. Connect all **GROUND (GREEN)** wires together from fan to **BARE/GREEN** wire from ceiling with wire connector provided.

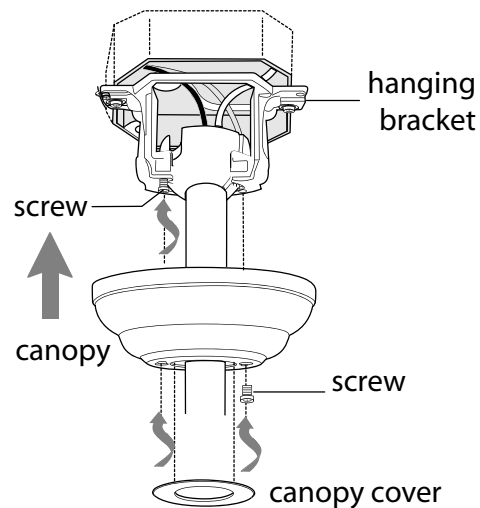
Since this fan does not come with a light kit, you will need to cap off the **BLUE** wire with a wire connector (as shown with arrow in diagram). [**Note:** If you elect to purchase a light kit for the fan, the **BLUE** wire from the fan must be connected to the **BLACK** wire from the ceiling instead.]

* Wrap each wire connector separately with electrical tape as an extra safety measure.



7. Canopy Assembly.

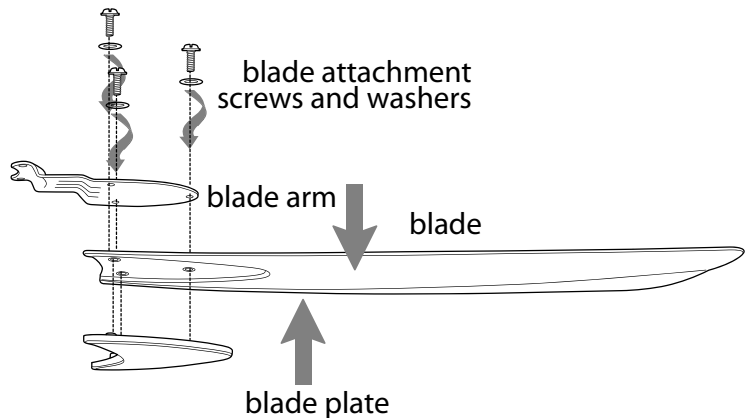
Locate 2 screws on underside of hanging bracket and remove screw closest to the open end of the hanging bracket. Partially loosen the other screw. Lift canopy to hanging bracket. Place rounded part of slotted hole in canopy over loosened screw in hanging bracket and push up. Twist canopy to lock. Re-insert screw that was removed and then tighten both screws securely. Slide canopy cover up to canopy, aligning rounded part of slotted holes in canopy cover with screwheads in bottom of canopy. Turn canopy cover to the right (clockwise) until it stops.



8. Blade Assembly.

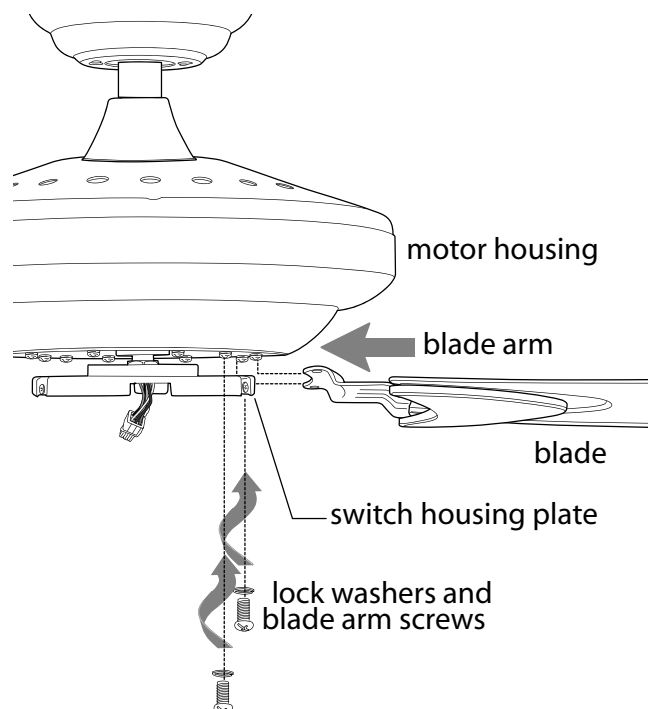
Time Saver: Washers for blade screws can be set on each blade screw prior to installing blades.

Locate 15 blade attachment screws and washers in one of the hardware packs. Hold blade plate up to blade [Be sure to note label on blade indicating **THIS SIDE UP** and turn blade so that label faces up.], aligning posts in blade plate with holes in blade as shown, and lower blade arm over blade holes. Insert 3 blade attachment screws (along with washers) with fingers first and then tighten screws securely with a Phillips screwdriver. Repeat for the remaining blades.



Remove blade arm screws and lock washers from underside of motor. If plastic motor locks are installed with blade arm screws, discard plastic motor locks (*save blade arm screws and lock washers to secure blade arms*). Align blade arm holes with motor screw holes and attach blade arm with lock washers and blade arm screws. [Note: Use slot located on switch housing plate for easy access to motor screw holes with screwdriver.] Before securing screws permanently, repeat with remaining blade arms. Secure all screws.

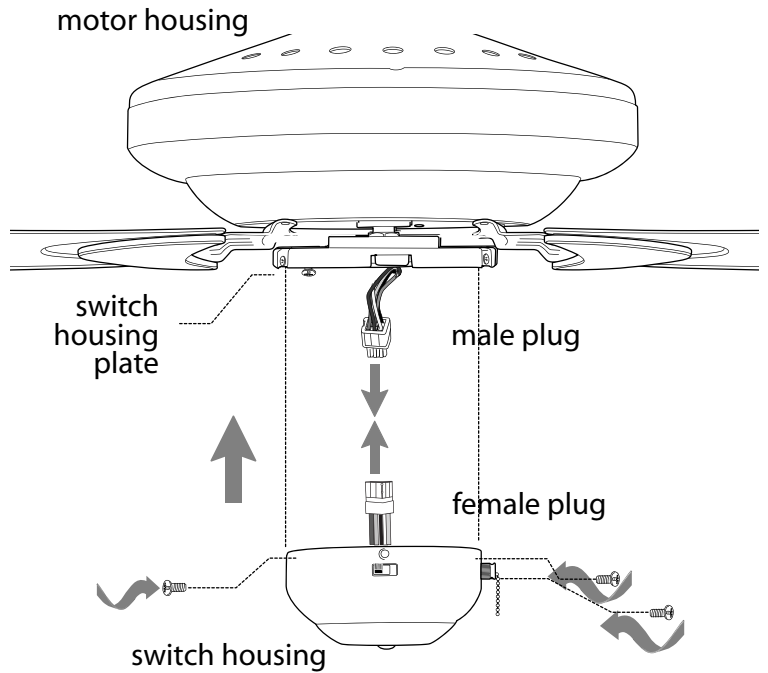
Note: Tighten blade arm screws twice a year.



9. Switch Housing Assembly.

Remove 3 screws from switch housing plate. Connect male plug from fan to female plug from switch housing, matching up the colors on the male plug with the colors on the female plug for correct fit. Be sure that the plugs connect completely.

Align holes in switch housing with holes in switch housing plate. Re-insert screws that were just removed and securely tighten all 3 screws with a Phillips screwdriver.



10. Testing Your Fan.

It is recommended that you test fan before finalizing installation. Restore power from circuit box and light switch (if applicable). Test fan speeds with the pull chain. Start at the OFF position (no blade movement). First pull will set the fan to HI. Second pull will set the fan to MEDIUM-HI. Third pull will set the fan to MEDIUM-LOW. Fourth pull will the fan to LOW. Fifth pull will again set the fan to OFF setting. (**diagram 1**) If fan does not function, please refer to "Troubleshooting" section to solve any issues before contacting Customer Service.

Turn fan completely off *before* moving the reverse switch. Set reverse switch to recirculate air depending on the season:

- LEFT position in summer (**diagram 2**)
- RIGHT position in winter (**diagram 3**)

A ceiling fan will allow you to raise your thermostat setting in summer and lower your thermostat setting in winter without feeling a difference in your comfort.

Important: Reverse switch must be set either *completely to the LEFT* or *completely to the RIGHT* for fan to function. If the reverse switch is set in the *middle* position (**diagram 4**), fan will not operate.

Attach pull chain extension supplied or custom pull chain extension (sold separately) to the end of the pull chain.

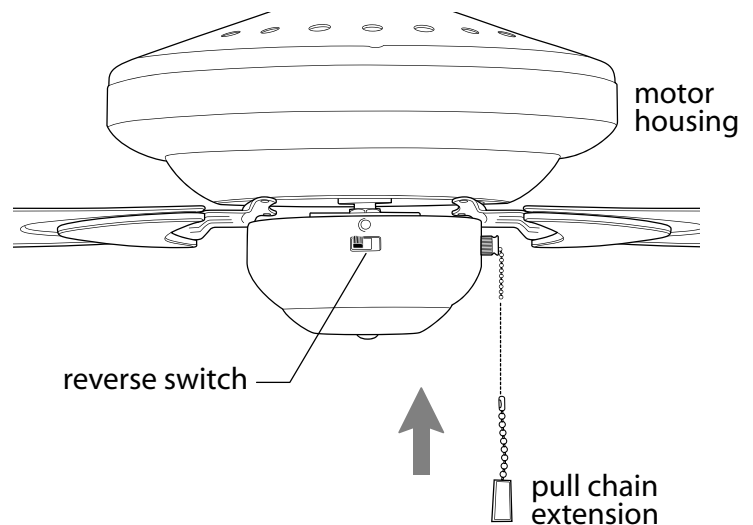


diagram 1

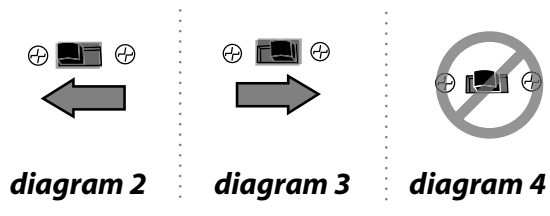


diagram 2

diagram 3

diagram 4

11. Light Kit Assembly (Optional).

WARNING: Failure to disconnect power supply at main panel prior to light kit assembly may result in serious injury.

IF YOU WISH TO USE YOUR FAN WITH A LIGHT KIT (sold separately), remove 3 screws from switch housing plate. (Refer to **diagram a**.)

Punch center cap out of switch housing with a screwdriver. (Refer to **diagram b**.) Remove hex nut and lock washer from threaded rod on light kit fitter. Push wires from light kit fitter (one by one) through hole in middle of switch housing and screw switch housing onto threaded rod followed by lock washer and hex nut that were previously removed. Tighten hex nut over lock washer for a secure fit. (Refer to **diagram c**.)

Connect **WHITE** wire from light kit fitter to **WHITE** wire from switch housing. Connect **BLACK** wire from light kit fitter to **BLUE** (or **BLACK**) wire from switch housing. Be sure molex connections snap together securely. (Refer to **diagram c**.)

Connect female plug from switch housing to male plug from motor housing, matching up the colors on the male plug with the colors on the female plug for correct fit. Make sure plugs connect completely.

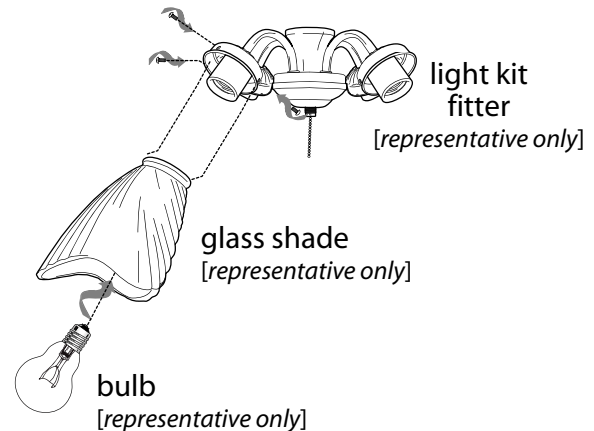
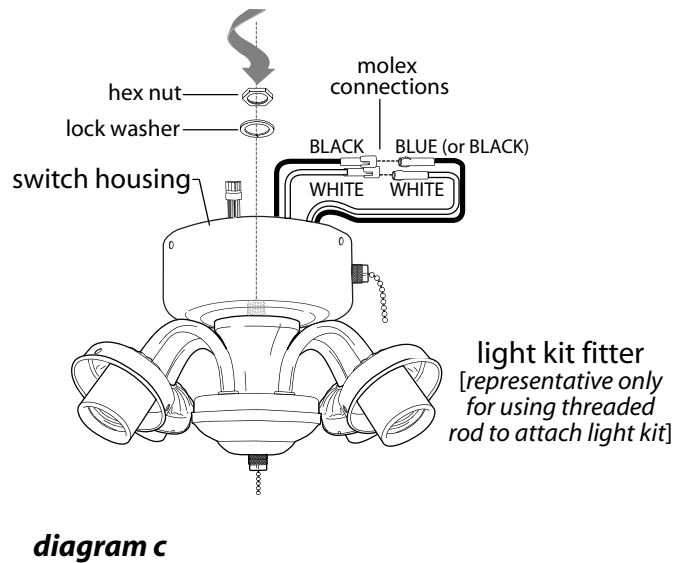
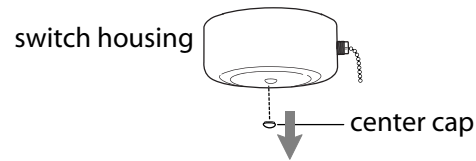
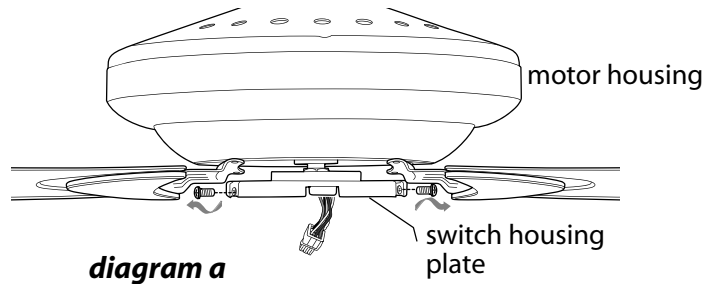
Align holes in switch housing with holes in switch housing plate. Re-insert screws that were previously removed and securely tighten all 3 screws.

Attach glass shade(s) to light kit fitter using the hardware provided with the light kit. (Refer to **diagram d**.)

NOTE: If you are installing a bowl fixture, the bulb(s) must be installed **first**.

Install bulb(s) specified by the light kit. (Refer to **diagram d**.) *If you are installing a halogen bulb, be sure not to handle glass directly with your fingers as oil from the skin may shorten the life of the bulb.*

IMPORTANT: When changing bulb(s), remember to allow bulb(s) and glass shade(s) to cool before touching.



Troubleshooting.

WARNING: Failure to disconnect power supply prior to troubleshooting any wiring issues may result in serious injury.

Problem: Fan fails to operate.

Solutions:

1. Check wall switch to fan.
2. Verify that reverse switch is set completely in either direction.
3. Check to be sure fan is wired properly.
4. Verify that male and female plugs in switch housing are connected properly.

Problem: Light kit (optional) not lighting.

Solutions:

1. Check wall switch to fan.
2. Check that bulbs are installed correctly.
3. Check to be sure wires in canopy are wired properly.
4. Verify that mox connections are connected properly in switch housing.

Problem: Fan operates but light(s) fail(s) (if applicable).

Solutions:

1. Check that bulbs are installed correctly.
2. Check to be sure wires in canopy are wired properly.
3. Verify that mox connections are connected properly in switch housing.
4. Replace defective bulbs with same type of bulb.

Problem: Lighting source (up-light, down-light or both), if applicable, not functioning.

Solution:

Wattage Limiting Device has interrupted the flow of electricity to the light source. Ensure bulbs total no more than 190W in the light source.

Problem: Fan wobbles.

Solutions:

1. Use the balancing kit provided in one of the hardware packs. *If no blade balancing kit is provided, please call Customer Support, 1-800-486-4892, to request one.*
2. Check to make sure set screw(s) on motor housing yoke is (are) tightened securely.
3. Check to be sure set screw on hanging ball is tightened securely.

Warranty.

CRAFTMADE/ELLINGTON LIFETIME WARRANTY:

CRAFTMADE/ELLINGTON warrants this fan to the original household purchaser for indoor use under the following provisions:

1-YEAR WARRANTY: CRAFTMADE/ELLINGTON will replace or repair any fan which has faulty performance due to a defect in material or workmanship. Contact

Craftmade/Ellington Customer Service at **1-800-486-4892** to arrange for return of fan. Return fan, shipping prepaid, to Craftmade/Ellington. We will repair or ship you a replacement fan, and we will pay the return shipping cost.

5-YEAR WARRANTY: CRAFTMADE/ELLINGTON will repair or replace at no charge to the original purchaser any fan motor that fails to operate satisfactorily when failure results from normal use.

RETURN FAN MOTOR ONLY, shipping prepaid, to Craftmade/Ellington. We will repair or ship purchaser a replacement motor and Craftmade/Ellington will pay the return shipping cost.

6-YEAR to LIFETIME LIMITED WARRANTY:

CRAFTMADE/ELLINGTON will repair the fan, at no charge for labor only to the original purchaser, if the fan motor fails to operate satisfactorily when failure results from normal use. Parts used in the repair will be billed to the purchaser at prevailing prices at time of repair.

The purchaser shall be responsible for all costs incurred in the removal, reinstallation and shipping of the product for repairs.

This warranty does not apply when damage from mechanical, physical, electrical or water abuse results in causing the malfunction. Deterioration of finishes or other parts due to time or exposure to salt air is specifically exempted under this warranty.

Neither Craftmade/Ellington nor the manufacturer will assume any liability resulting from improper installation or use of this product. In no case shall the company be liable for any consequential damages for breach of this, or any other warranty expressed or implied whatsoever. This limitation as to consequential damages shall not apply in states where prohibited.

Parts Replacement.

For parts and information, please refer to "Parts Inventory" on page 2.

Craftmade/Ellington Customer Support:
1-800-486-4892

www.craftmadebrands.com

Craftmade

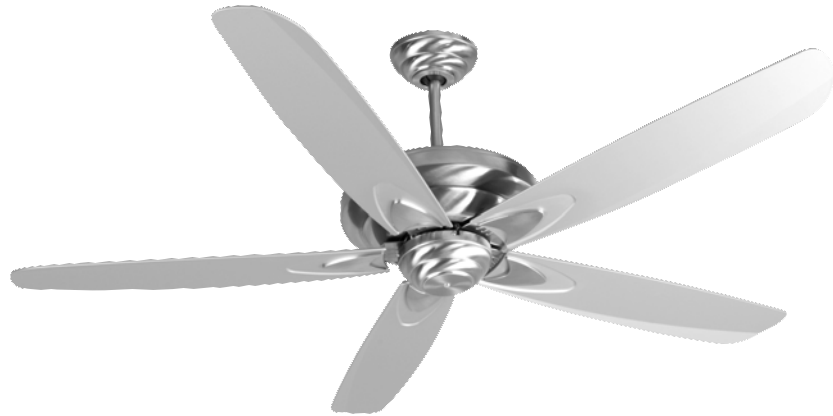
CEILING FANS Est. 1985

Craftmade

CEILING FANS

Est. 1985

LEER ESTAS INSTRUCCIONES Y
GUARDARLAS PARA UTILIZACION FUTURA



Guía de instalación

Para modelo:
ZE56, Zena

Índice de materias:

Sugerencias de seguridad. Pág. 1

Desempaquetado del ventilador. Pág. 2

Inventario de piezas. Pág. 2

Preparación para la instalación. Pág. 3

Instalación del soporte de montaje. Pág. 3

Ensamblaje del ventilador. Págs. 4 - 5

Instalación eléctrica. Pág. 5

Colocación de la cubierta decorativa. Pág. 6

Colocación de las aspas. Pág. 6

Ensamblaje de la caja de encendido. Pág. 7

Verificación del funcionamiento del
ventilador. Pág. 7

Instalación del juego de luz (opcional). Pág. 8

Localización de fallas. Pág. 9

Piezas de repuesto. Pág. 9

Garantía. Pág. 9



peso neto del ventilador: 9,00 kg (19,80 lb)

IMPRESO EN CHINA

SUGERENCIAS DE SEGURIDAD.

ADVERTENCIA: Para evitar la posibilidad de una descarga eléctrica, desconectar la corriente en la caja de fusibles principal o el interruptor protector antes de iniciar la instalación del ventilador o antes de repararlo o instalar accesorios.

1. **LEER TODAS LAS INSTRUCCIONES E INFORMACIÓN DE SEGURIDAD CUIDADOSAMENTE ANTES DE INSTALAR SU VENTILADOR Y GUARDAR ESTAS INSTRUCCIONES.**

- PRECAUCIÓN:** Para reducir el riesgo de daño corporal, es posible que sea necesario usar guantes al manejar las piezas del ventilador que tengan bordes afilados.
2. Asegurarse de que todas las conexiones eléctricas cumplan con los Códigos o las Ordenanzas Locales, el Código Nacional Eléctrico y ANSI/NFPA 70-1999. Si usted no está familiarizado con el alambrado eléctrico o los cables de la casa/el edificio son de colores diferentes a los cuales se refieren en las instrucciones, favor de buscar un electricista calificado.
 3. Asegurarse de que haya localizado una ubicación para su ventilador que permite el espacio necesario para la rotación de las aspas, y por lo menos 2,13 metros (7 pies) de espacio libre entre el piso y las puntas de las aspas. Debe instalar el ventilador para que las puntas de las aspas queden a una distancia de por lo menos 76 centímetros (30 pulgadas) de las paredes y otras estructuras verticales.
 4. La caja de salida eléctrica debe estar bien sujeta a la viga de soporte del techo y deben ser capaces de sostener por lo menos 16 kilogramos (35 libras). La caja debe tener apoyo directo de la estructura del edificio. Sólo usar cajas de salida registradas con CUL (Canadá) o UL (EEUU) que indican que "sirven para ventilador" ("FOR FAN SUPPORT" en inglés).

ADVERTENCIA: Para reducir el riesgo de incendio, descarga eléctrica o daño corporal, instalar en la caja de salida marcada "Aceptable para sostener ventilador de 15,9 kg (35 lb) o menos" ["Acceptable for Fan Support of 15.9 kg (35 lb) or less"] y utilizar los tornillos proporcionados con la caja de salida. La mayoría de las cajas de salida que normalmente se usan para sostener los aparatos de alumbrado no siempre son apropiadas para sostener ventiladores y es posible que las tenga que reemplazar. En caso de duda, consultar con un electricista calificado.

ADVERTENCIA: Para reducir el riesgo de incendio, descarga eléctrica o daño corporal, los conectores para cable provistos con este ventilador son diseñados para aceptar sólo un cable de calibre 12 de la casa y dos cables principales del ventilador. Si el calibre del cable de la casa es superior al 12 o hay más de un cable de la casa para conectar a los cables principales del ventilador al cual corresponda cada uno, consultar con un electricista para informarse sobre el tamaño correcto de conectores para cable que se debe usar.

5. Los diagramas eléctricos son únicamente para referencia. Los juegos de luz que no se incluyen con el ventilador deben tener el símbolo CUL (Canadá) o UL (EEUU) y también deben indicar que sirven para uso con este ventilador. Los interruptores deben ser interruptores de uso general CUL (Canadá) o UL (EEUU). Referirse a las instrucciones incluidas con el juego de luz y los interruptores para ensamblarlos correctamente.
6. Después de haber terminado la instalación, asegurarse de que todas las conexiones estén totalmente seguras.
7. Después de haber terminado todas las conexiones eléctricas, los conductores empalmados deben ser volteados para arriba y colocados cuidadosamente dentro de la caja de salida. Los alambres se deben de separar con el conductor a tierra a un lado y el conductor a tierra del equipo al lado opuesto.

ADVERTENCIA: Para reducir el riesgo de incendio o descarga eléctrica, no usar el ventilador con ningún control de velocidad de estado sólido ni controlar la velocidad del ventilador con un interruptor con reductor de luz de gama completa. [El usar un interruptor con reductor de luz de gama completa para controlar la velocidad del ventilador causará un zumbido recio del ventilador.] (**Nota:** Este ventilador sí sirve para usar con control remoto).

8. No utilizar el interruptor de reversa hasta que el ventilador se haya parado completamente.
9. No insertar ningún objeto entre las aspas mientras estén rotando.

ADVERTENCIA: Para reducir el riesgo de daño corporal, no doblar los brazos de las aspas durante el ensamblaje ni durante la instalación. No insertar objetos entre las aspas mientras estén rotando.

ADVERTENCIA: Para reducir el riesgo de daño corporal o algún daño al ventilador, tener cuidado al estar trabajando alrededor del ventilador o limpiándolo.

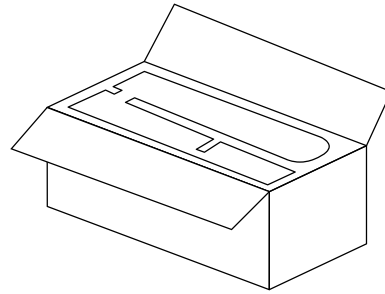
10. No utilizar agua ni detergentes para limpiar el ventilador ni las aspas. Usar un trapo seco o ligeramente húmedo para su limpieza general.

ADVERTENCIA: Para reducir el riesgo de daño corporal, usar **sólo** las piezas provistas con este ventilador. **Al usar piezas DISTINTAS a las provistas con este ventilador se invalidará la garantía.**

NOTA: No se debe concluir que las precauciones de seguridad importantes e instrucciones en este manual van a abarcar todas las condiciones y situaciones posibles que puedan ocurrir. Se debe entender que el sentido común y la precaución son factores necesarios en la instalación y la operación de este ventilador.

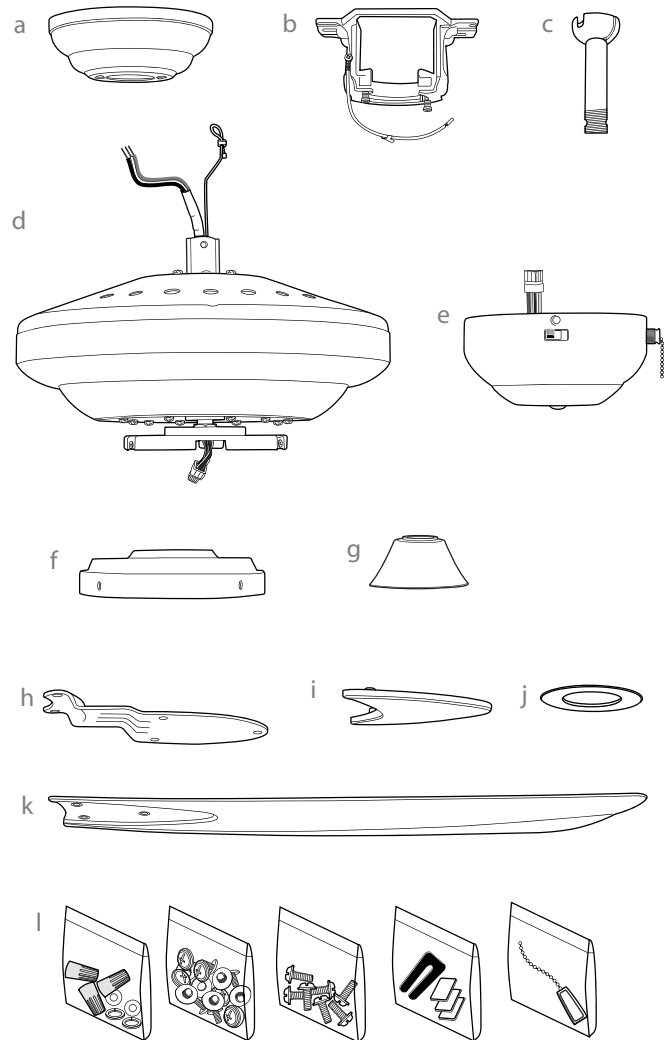
1. Desempaquetado del ventilador.

Abrir el empaque cuidadosamente. Sacar los artículos del embalaje. Sacar el motor y ponerlo en una alfombra o en el embalaje para evitar rayar el acabado. Guardar la caja de cartón o el empaquetamiento original en caso de que tenga que mandar el ventilador para alguna reparación. Comprobar las piezas del ventilador con el inventario de piezas y verificar que se incluyeron todas.



2. Inventario de piezas.

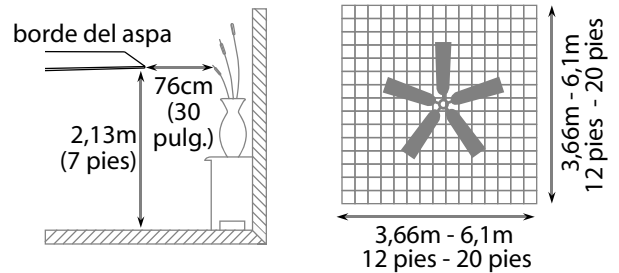
- a.** cubierta decorativa. 1 unidad
- b.** soporte de montaje. 1 unidad
- c.** tubo y bola que sirve para colgar. 1 unidad
- d.** bastidor del motor. 1 unidad
- e.** caja de encendido. 1 unidad
- f.** placa de la caja de encendido. 1 unidad
- g.** cubierta del cuello. 1 unidad
- h.** brazo para el aspa. 5 unidades
- i.** placa del aspa. 5 unidades
- j.** tapa de la cubierta decorativa (en paquete de artículos de ferretería). 1 unidad
- k.** aspa. 5 unidades
- l.** paquetes de artículos de ferretería



! RECORDATORIO IMPORTANTE:
Se tienen que utilizar las piezas provistas con este ventilador para una instalación adecuada y su seguridad. **!**

3. Preparación para la instalación.

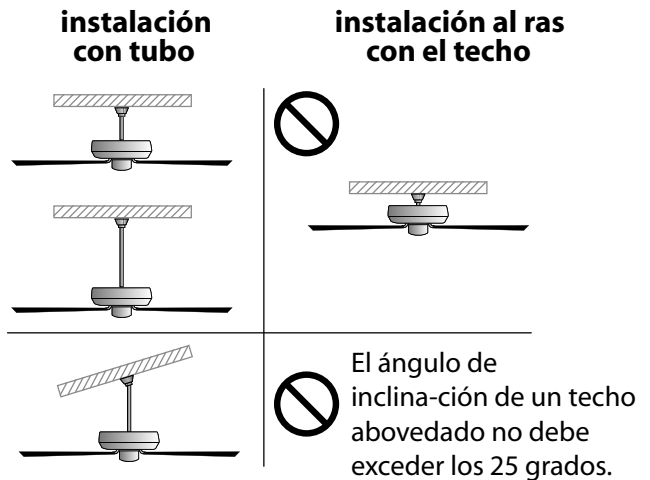
Para prevenir daño corporal y otros daños, estar seguro de que el lugar en donde va a colgar el ventilador le permite un espacio libre de 2,13m (7 pies) entre las puntas de las aspas y el piso y 76cm (30 pulg.) entre las aspas y cualquier pared u otra obstrucción. Este ventilador es adecuado para habitaciones hasta 37,2 metros cuadrados (400 pies cuadrados).



Se puede colgar este ventilador **con tubo** en un techo regular (sin inclinación) o abovedado. La longitud colgante se puede extender comprando un tubo más largo (con diámetro de 1,27cm/0,5 pulg.). No hay ningún otro tipo de instalación, como **al ras con el techo**, disponible para este ventilador.

Se necesitan las herramientas siguientes para la instalación:

Destornillador de estrella Phillips, destornillador de paleta (plano), alicates ajustables o llave de tuercas, escalera de tijera, cortaalambres y cinta aisladora.



4. Instalación del soporte de montaje.

Apagar los cortacircuitos en el panel de electricidad que suplen corriente a la caja de salida y asegurarse de que el interruptor de luz esté APAGADO.

ADVERTENCIA: El no desconectar el suministro de fuerza antes de la instalación puede tener por resultado lesiones graves.

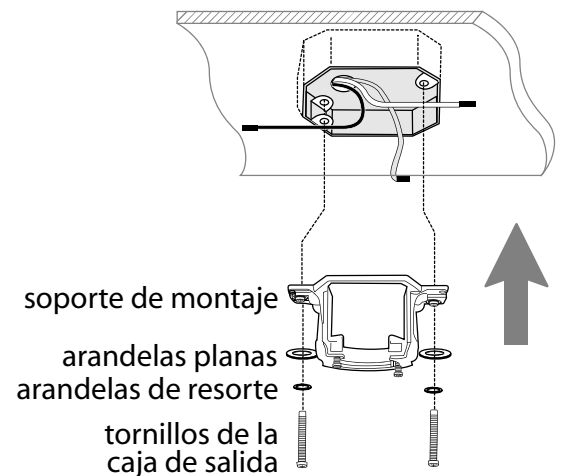
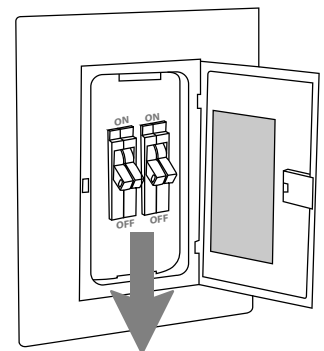
Quitar el aparato existente.

ADVERTENCIA: Si utiliza una caja de salida existente, asegurarse de que la caja de salida esté firmemente conectada a la estructura del edificio y que sea capaz de sostener el peso total del ventilador. Asegurarse de que la caja de salida indique claramente que "Sirve para ventilador" (FOR FAN SUPPORT); si no, se debe reemplazar con una caja de salida aprobada. El no hacer el cambio si es necesario puede resultar en lesiones graves.

PRECAUCION: Asegurarse de que la caja de salida esté conectada a tierra correctamente y que haya un conductor a tierra (cable VERDE o pelado).

Instalar el soporte de montaje utilizando los tornillos originales, las arandelas de resorte y las arandelas planas de su nueva o existente caja de salida.* Si hace la instalación en un techo abovedado, colocar el soporte de montaje con la abertura dirigida hacia la parte alta del techo. Arreglar el alambrado eléctrico (los cables) en la parte de atrás del soporte y lejos de la abertura del soporte.

***Nota:** Es muy importante usar los artículos de ferretería correctos al instalar el soporte de montaje puesto que sirve para sostener el ventilador.



5. Ensamblaje del ventilador.

Quitar la bola que sirve para colgar del tubo, aflojando el tornillo de fijación de la bola que sirve para colgar. Bajar la bola que sirve para colgar y sacar el perno del tope y luego deslizar la bola que sirve para colgar del tubo. [Referirse al **diagrama 1**.]

Aflojar el tornillo de fijación del cuello y la tuerca de la parte superior del bastidor del motor. Quitar el el perno y la clavija de la parte superior del astidor del motor. [Referirse al **diagrama 2**.]

Sugerencia: Para preparar los cables para pasarlos por el tubo, poner un pedacito de cinta aisladora en la punta de los cables--esto mantendrá los cables juntos al pasarlos por el tubo. [Referirse al **diagrama 2**.]

Determinar la longitud del tubo que usted desea usar. Pasar los cables del ventilador y el cable de seguridad a través del tubo y con cuidado jalar el cableado en exceso por la parte de arriba del tubo. [Referirse al **diagrama 2**.]

Enroskar el tubo en el cuello del motor hasta alinearse los agujeros para el perno y la clavija en el tubo con los del cuello--asegurarse de que no se tuerzan los cables. Volver a introducir el perno y la clavija que se quitaron en la página anterior. Apretar los tornillos de fijación del cuello y las tuercas completamente. [Referirse al **diagrama 2**.]

Localizar la tapa de la cubierta decorativa en uno de los paquetes de artículos de ferretería. Pasar la cubierta del cuello, la tapa de la cubierta y la cubierta decorativa por el tubo. [Referirse al **diagrama 3**.] (**Nota:** Se tiene que voltear la tapa de la cubierta decorativa para que el lado brillante dé al bastidor del motor.)

Enroskar el cable de seguridad y los cables por la bola que sirve para colgar; y luego resbalar la bola que sirve para colgar por el tubo--la parte de arriba del tubo debe tener el agujero para el tornillo de fijación en ese extremo; usar ese agujero al colocar el tornillo de fijación); Introducir el perno de tope en la parte de arriba del tubo más largo y subir la bola que sirve para colgar. Asegurarse de que el perno de tope se ponga en línea con las ranuras dentro de la bola que sirve para colgar. Apretar bien el tonillo de fijación. [Referirse al **diagrama 4**.]

ADVERTENCIA: Si no se apriete bien el tornillo de fijación es posible que se afloje el ventilador y que se caiga.

[El "Ensamblaje del ventilador" continúa en la página siguiente.]

NOTA: No se debe concluir que las precauciones de seguridad importantes e instrucciones en este manual van a abarcar todas las condiciones y situaciones posibles que puedan ocurrir. Se debe entender que el sentido común y la precaución son factores necesarios en la instalación y la operación de este ventilador.

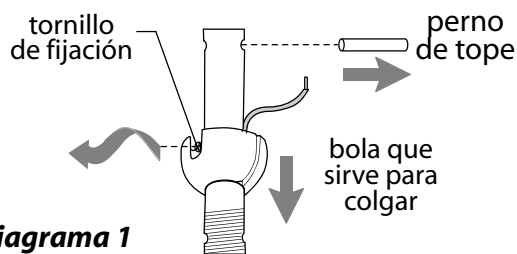


diagrama 1

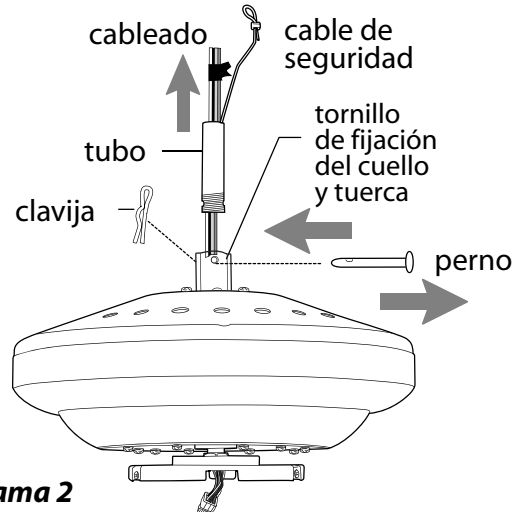


diagrama 2

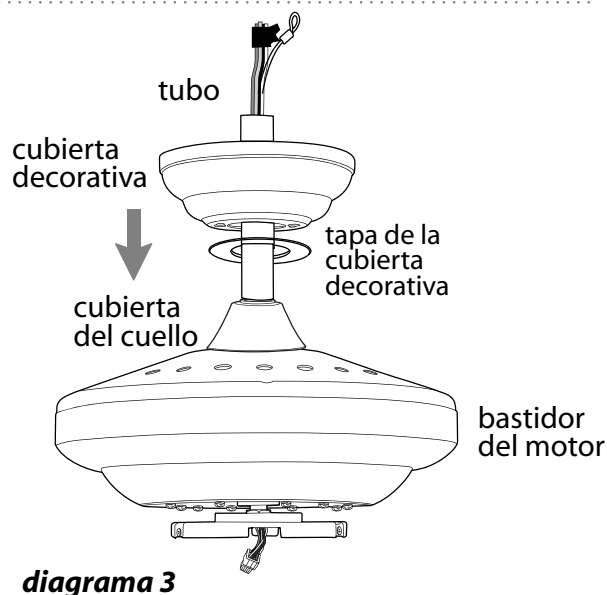


diagrama 3

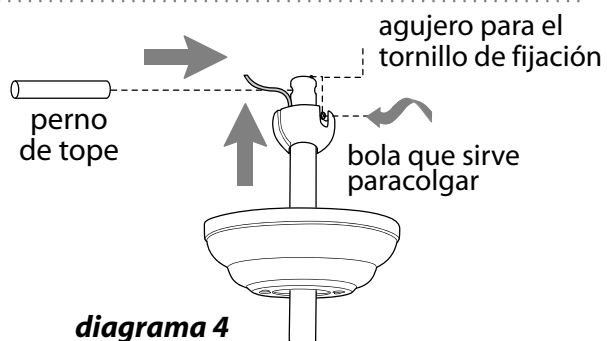


diagrama 4

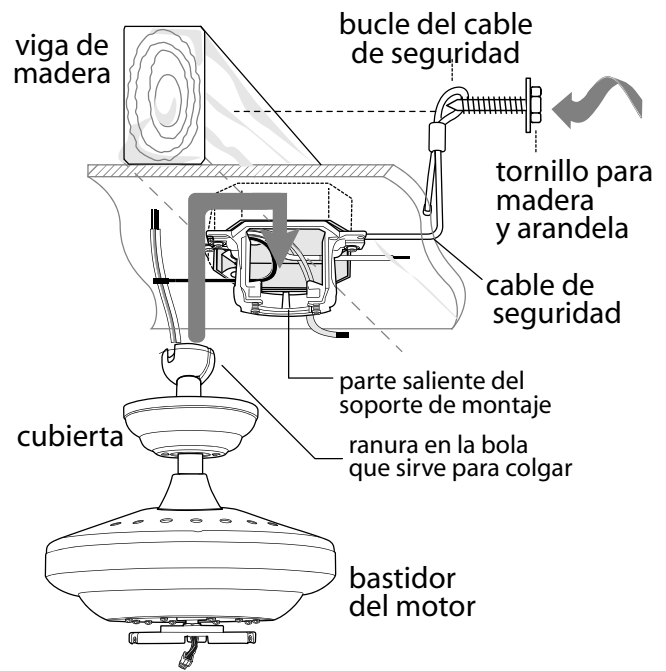
5. Ensamblaje del ventilador. (cont.)

Ya que esté sujetado el soporte de montaje a la caja de salida y capaz de apoyar el ventilador, usted está listo para colgar el ventilador. Agarrar el ventilador firmemente con las dos manos. Deslizar el tubo por la abertura del soporte de montaje y dejar que se detenga la bola en el soporte de montaje. Girar la bola que sirve para colgar hasta que la ranura de la bola se alinee con la parte saliente del soporte de montaje.

ADVERTENCIA: El no alinear la ranura en la bola que sirve para colgar con la parte saliente del soporte de montaje puede causar lesiones graves o la muerte.

Sugerencia: Solicitar ayuda de otra persona para mantener sujeta la escalera y para que le suba el ventilador cuando usted ya esté preparado en la escalera para colgarlo.

Encontrar un punto de acoplamiento seguro (se recomienda la viga de madera en el techo) y asegurar el cable de seguridad. Utilizar tornillo para madera para trabajos pesados, arandela y arandela de seguridad (no provistos) en el bucle del cable de seguridad. Si es necesario, ajustar el bucle en el extremo del cable de seguridad. El bucle en el extremo del cable de seguridad debe ser de tal tamaño que pase justo sobre la punta de la parte roscada del tornillo para madera. Poner el cable a prueba jalando la parte suelta en la punta del cable con alicate. Si el cable se desliza o se reduce el bucle del cable por donde pasa el tornillo, hay que ajustar el bucle de nuevo. Se puede poner el cable en exceso en el área del techo.



6. Instalación eléctrica.

PRECAUCION: Asegurarse de que la caja de salida esté conectada a tierra como es debido y que exista un conductor a tierra (**VERDE** o **pelado**).

Asegurarse de que toda conexión eléctrica cumpla con los Códigos o las Ordenanzas Locales y el Código Nacional Eléctrico. Si usted no está familiarizado con la instalación eléctrica o los cables de la casa/el edificio son de colores diferentes a los cuales se refieren a continuación, favor de buscar un electricista calificado.

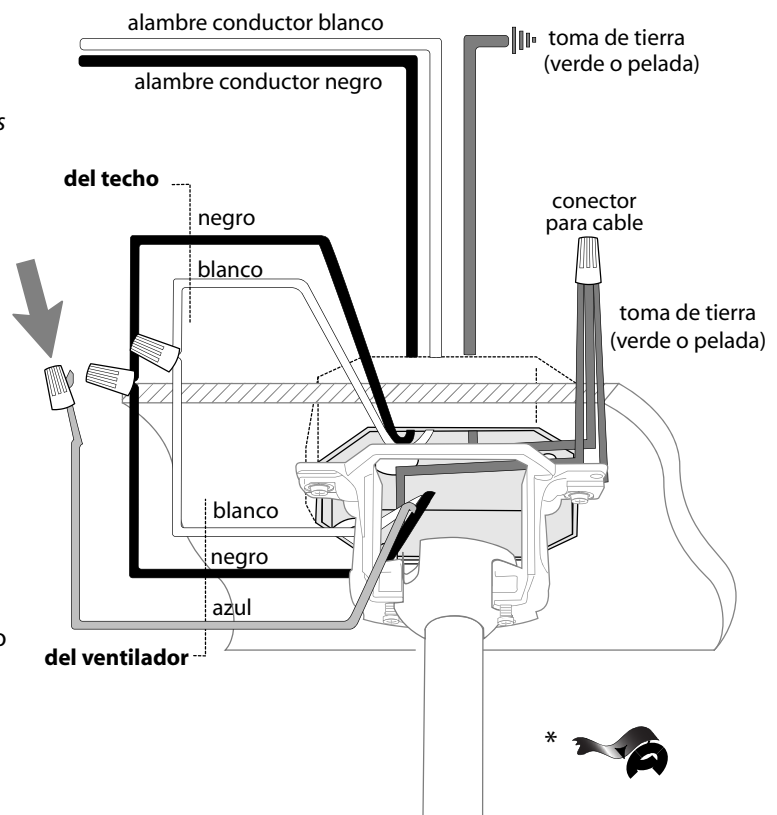
Nota: Si la longitud del alambrado que sale del ventilador es demasiado, se puede cortarlo al largo deseado y luego pelarlo.

Una vez que el ventilador esté bien sujeto en el soporte de montaje, se puede hacer la instalación eléctrica como sigue: Conectar el cable **NEGRO** del ventilador al cable **NEGRO** del techo con un conector para cable provisto.

Conectar el cable **BLANCO** del ventilador al cable **BLANCO** del techo con un conector para cable provisto.

Conectar todos los conductores a **TIERRA (VERDES)** del ventilador a los **PELADOS/VERDES** del techo con un conector para cable provisto.

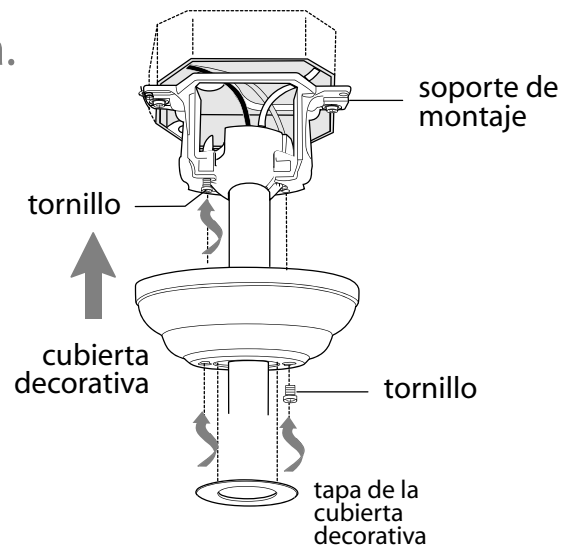
Puesto que este ventilador no incluye juego de luz, es necesario colocar un conector para cable en la punta del cable **AZUL** (como se indica con la flecha en el diagrama). **[Nota:** Si elige comprar juego de luz para el ventilador, hay que conectar el cable **AZUL** del ventilador al cable **NEGRO** del techo en lugar de eso.]



* Como una medida de seguridad adicional, envolver cada conector para cable por separado con cinta aisladora.

7. Colocación de la cubierta decorativa.

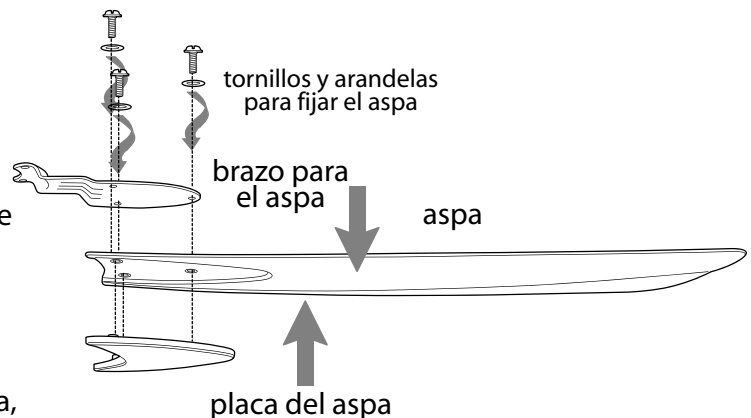
Localizar los 2 tornillos en la parte inferior del soporte de montaje y quitar el tornillo que está localizado más cerca del extremo abierto del soporte de montaje. Aflojar parcialmente el otro tornillo. Elevar la cubierta decorativa hasta el soporte de montaje. Poner la parte redondeada del agujero con ranura en la cubierta decorativa encima del tornillo aflojado en el soporte de montaje y empujar hacia arriba. Girar la cubierta decorativa para cerrarla. Volver a introducir el tornillo que se quitó, y luego apretar bien ambos tornillos. Subir la tapa de la cubierta decorativa hasta la cubierta decorativa, alineando la parte redondeada de los agujeros con ranura en la tapa de la cubierta decorativa con las cabezas de tornillo en el fondo de la cubierta decorativa. Girar la tapa de la cubierta decorativa a la derecha (en el sentido de las agujas del reloj) hasta que ya no gire.



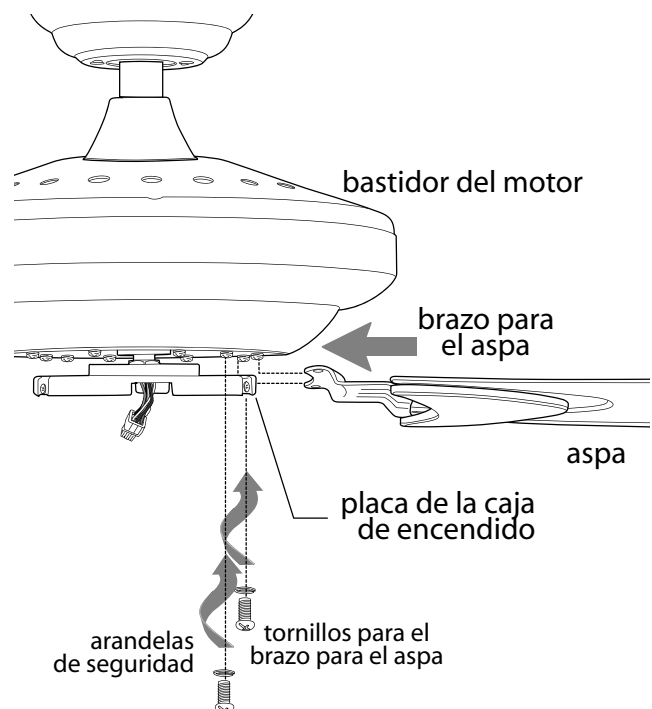
8. Colocación de las aspas.

Para ahorrar tiempo: Se pueden poner las arandelas a los tornillos para fijar las aspas antes de instalar las aspas.

Localizar 15 tornillos y arandelas en uno de los paquetes de artículos de ferretería. Agarrar una de las placas para las aspas y ponerla debajo de una de las aspas [Fijarse en la etiqueta en el asa que indica **ESTE LADO HACIA ARRIBA** y voltear el asa para que la etiqueta esté orientada hacia arriba], alineando los postes en la placa para el asa con los agujeros en el asa, como se muestra, y poner el brazo para el asa encima del asa. Introducir 3 tornillos para fijar las aspas (junto con las arandelas) con los dedos primero y luego apretar los tornillos bien con destornillador de estrella Phillips. Repetir el procedimiento con las demás aspas.



Sacar los tornillos para los brazos para las aspas y las arandelas de seguridad del lado inferior del motor. Si se han instalado soportes de plástico con los tornillos para el brazo para el asa, desechar los soportes de plástico (guardar los tornillos para el brazo para el asa y las arandelas de seguridad para asegurar los brazos para el asa). Alinear los agujeros de uno de los brazos para las aspas con los agujeros para los tornillos en el motor y fijar el brazo para el asa con las arandelas de seguridad y los tornillos para el brazo para el asa. **[Nota:** Utilizar la abertura en la placa de la caja de encendido para tener fácil acceso a los agujeros en el motor con el destornillador.] Antes de apretar los tornillos bien, repetir el mismo procedimiento con los demás brazos para las aspas. Apretar bien todos los tornillos.

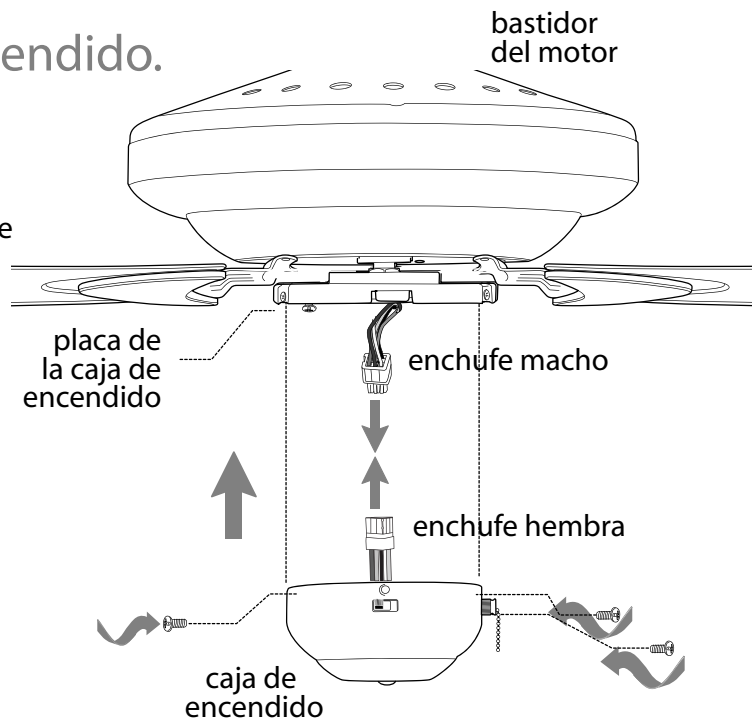


Nota: Apretar los tornillos para los brazos para el asa dos veces al año.

9. Instalación de la caja de encendido.

Quitar 3 tornillos de la placa de la caja de encendido. Conectar el enchufe macho del bastidor del motor al enchufe hembra de la caja de encendido, haciendo coincidir los colores en el enchufe macho con los del enchufe hembra para que se encajen. Asegurarse de que se conecten bien los enchufes.

Alinear los agujeros en la caja de encendido con los agujeros en la placa de la caja de encendido. Volver a introducir los tornillos que apenas se quitaron y apretar los 3 tornillos bien con un destornillador de estrella Phillips.



10. Verificación del funcionamiento del ventilador.

Se le recomienda poner el ventilador a prueba antes de terminar la instalación. Regresar la corriente de electricidad en el cortacircuitos y encender el interruptor de la luz en la pared (si se aplica). Verificar las velocidades del ventilador con la cadena de encendido. Empezar en estado de APAGADO (sin movimiento de las aspas). Con el primer tirón el ventilador estará en marcha ALTA. El segundo tirón pondrá el ventilador en marcha MEDIA-ALTA. El tercer tirón bajará el ventilador a marcha MEDIA-BAJA. El cuarto tirón bajará el ventilador a marcha BAJA. Con el quinto tirón se APAGARÁ el ventilador de nuevo. (**diagrama 1**) Si el ventilador no funciona, favor de referirse a la sección "Localización de fallas" para resolver cualquier asunto antes de comunicarse con el Servicio al Cliente.

Apagar el ventilador completamente *antes* de mover el interruptor de reversa. Regularlo para que se circule bien el aire dependiendo de las estaciones del año.

- posición IZQUIERDA en verano (**diagrama 2**)
- posición DERECHA en invierno (**diagrama 3**)

Un ventilador de techo le permitirá subir el termostato en verano y bajarlo en invierno sin notar una diferencia en su comodidad.

Importante: Hay que mover el interruptor de reversa o *completamente* hacia la IZQUIERDA o *completamente* hacia la DERECHA para que funcione el ventilador. Si el interruptor de reversa está puesto en la posición de en medio (**diagrama 4**), no funcionará el ventilador.

Fijar la extensión para la cadena de encendido provista a la cadena de encendido o usar una hecha a medida (a la venta por separado).

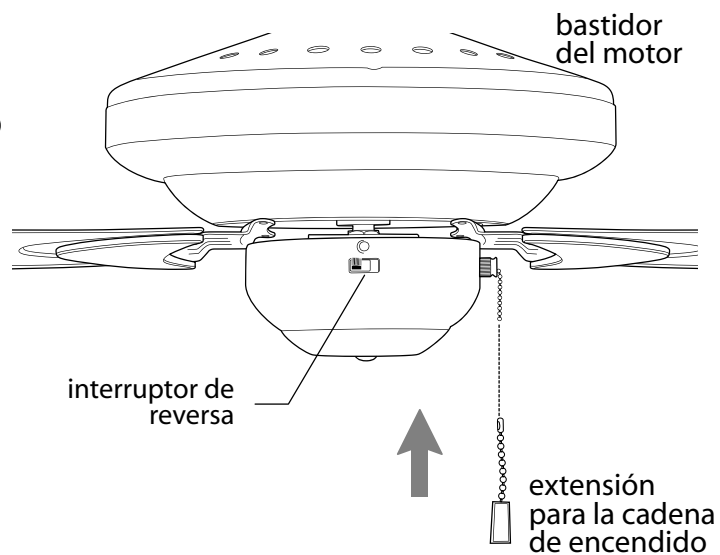


diagrama 1

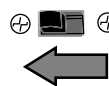


diagrama 2

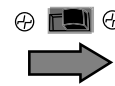


diagrama 3



diagrama 4

11. Instalación del juego de luz (opcional).

ADVERTENCIA: *El no desconectar el suministro de fuerza eléctrica en el panel principal antes de instalar el juego de luz puede causar lesiones graves.*

SI DESEA UTILIZAR EL VENTILADOR CON JUEGO DE LUZ (a la venta por separado), quitar los 3 tornillos de la placa de la caja de encendido. (Referirse al **diagrama a**.)

Perforar la caja de encendido con destornillador en el mero centro para que se caiga la tapa. (Referirse al **diagrama b**.) Quitar la tuerca hexagonal y la arandela de seguridad de la varilla roscada en el conector para el juego de luz. Pasar los cables del conector para el juego de luz (uno por uno) por el agujero de en medio de la caja de encendido y atornillar la caja de encendido en la varilla roscada. Después bajar la arandela de seguridad y la tuerca hexagonal que se quitaron anteriormente. Apretar la tuerca hexagonal encima de la arandela de seguridad para que se queden bien ajustadas. (Referirse al **diagrama c**.)

Conectar el cable **BLANCO** del conector para el juego de luz al cable **BLANCO** de la caja de encendido. Conectar el cable **NEGRO** del conector para el juego de luz al cable **AZUL** (o **NEGRO**) de la caja de encendido. Asegurarse de que se conecten bien las conexiones tipo "molex." (Referirse al **diagrama c**.)

Conectar el enchufe macho del bastidor del motor al enchufe hembra de la caja de encendido, haciendo coincidir los colores en el enchufe macho con los del enchufe hembra para que se encajen. Asegurarse de que se conecten bien los enchufes.

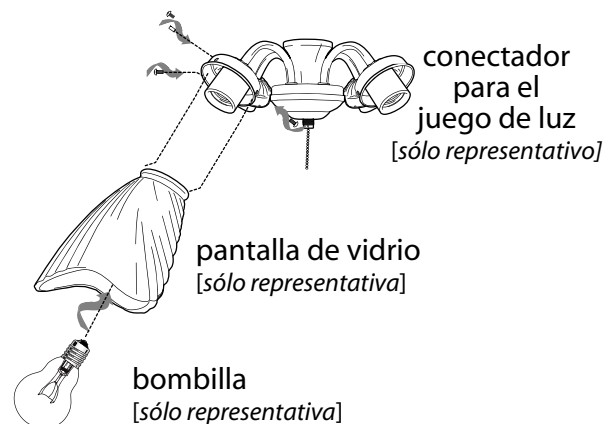
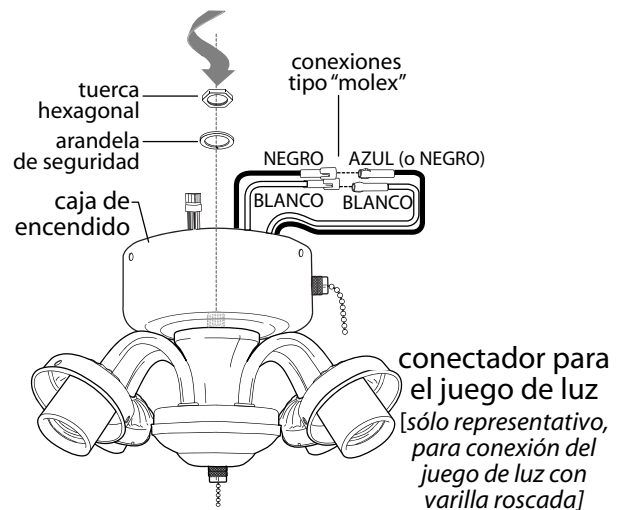
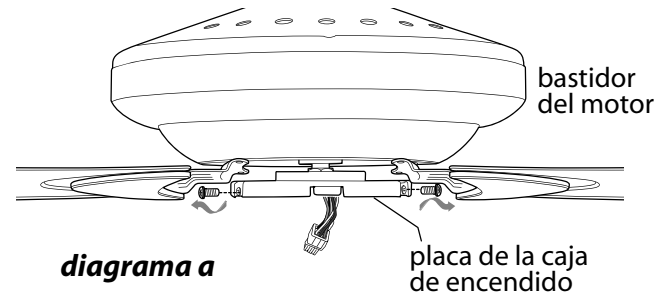
Alinear los agujeros en la caja de encendido con los agujeros en la placa de la caja de encendido. Volver a introducir los tornillos que se quitaron anteriormente y apretar bien los 3 tornillos.

Colocar la(s) pantalla(s) de vidrio al conector para el juego de luz con los artículos de ferretería provistos con el juego de luz. (Referirse al **diagrama d**.)

Nota: Si instala un globo, hay que instalar la(s) bombilla(s) **primero**.

Instalar la(s) bombilla(s) especificada(s) en el juego de luz. (Referirse al **diagrama d**.) *Si instala una bombilla halógena, tener cuidado de no tocar el cristal directamente con los dedos porque el aceite de la piel puede afectar la durabilidad de la bombilla.*

IMPORTANTE: Cuando necesite cambiar las bombillas, recordar dejar que se enfríen la(s) bombilla(s) y la(s) pantalla(s) de vidrio antes de tocarlas.



Localización de fallas.

ADVERTENCIA: *El no desconectar el suministro de fuerza eléctrica antes de hacer localización de fallas para cualquier problema de instalación eléctrica puede causar lesiones graves.*

Problema: El ventilador no funciona.

Soluciones:

1. Inspeccionar el interruptor de pared del ventilador.
2. Verificar que el interruptor de reversa del ventilador esté en una sola posición, no en medio de las dos.
3. Verificar la instalación eléctrica del ventilador.
4. Asegurarse de que se conectaron bien los enchufes macho y hembra en la caja de encendido.

Problema: El juego de luz (opcional) no se ilumina.

Soluciones:

1. Inspeccionar el interruptor de pared del ventilador.
2. Verificar que se instalaron correctamente las bombillas.
3. Verificar que se hizo correctamente la conexión de cables en la cubierta decorativa.
4. Asegurarse de que se conectaron bien las conexiones tipo "molex" en la caja de encendido.

Problema: El ventilador funciona pero la(s) luz (luces) no (si se aplica).

Soluciones:

1. Verificar que se instalaron correctamente las bombillas.
2. Verificar que se hizo correctamente la conexión de cables en la cubierta decorativa.
3. Asegurarse de que se conectaron bien las conexiones tipo "molex" en la caja de encendido.
4. Reemplazar bombillas defectuosas con el mismo tipo de bombilla.

Problema: No funciona la fuente de luz (luz superior, luz inferior o ambas), si se aplica.

Solución:

El aparato que sirve para limitar el voltaje ha interrumpido la corriente eléctrica que va a la fuente de luz. Asegurarse de que las bombillas en la fuente de luz no sumen más de 190W.

Problema: El ventilador se tambalea.

Soluciones:

1. Usar el juego para balancear las aspas incluido en uno de los paquetes de artículos de ferretería. *Si no se incluye un juego para balancear las aspas, llamar al Servicio al cliente, 1-800-486-4892, para pedir uno.*
2. Averiguar que se apretó (apretaron) bien el (los) tornillo(s) de fijación en el cuello del bastidor del motor.
3. Averiguar que se apretó bien el tornillo de fijación en la bola que sirve para colgar.

Garantía.

GARANTIA LIMITADA DE POR VIDA DE

CRAFTMADE/ELLINGTON:

CRAFTMADE/ELLINGTON garantiza este ventilador al comprador original de grupo familiar para uso interior con las siguientes condiciones:

GARANTIA DE 1 AÑO: CRAFTMADE/ELLINGTON reemplazará o reparará cualquier ventilador que tenga funcionamiento deficiente debido a defectos en los materiales o trabajo manual. Comunicarse con el Servicio al cliente de CRAFTMADE/ELLINGTON al **1-800-486-4892** para acordar el reenvío del ventilador. Devolver el ventilador, con los gastos de envío propagados, a Craftmade/Ellington. Nosotros repararemos o reemplazaremos el ventilador y pagaremos los gastos de envío de regreso.

GARANTIA DE 5 AÑOS: CRAFTMADE/ELLINGTON reemplazará o reparará sin costo al comprador original, cualquier motor de ventilador que no funcione de manera satisfactoria a causa de uso normal.

DEVOLVER EL MOTOR SOLAMENTE, los gastos de envío propagados, a Craftmade/Ellington. Nosotros repararemos el motor al comprador o le enviaremos uno de reemplazo y Craftmade/Ellington pagará los gastos de envío de regreso.

GARANTIA LIMITADA DE 6 AÑOS hasta DE POR VIDA:

CRAFTMADE/ELLINGTON reparará el ventilador, sin costo al comprador original por el coste laboral, si el motor del ventilador no funciona satisfactoriamente a causa del uso normal. Las piezas que se utilizan en hacer la reparación serán facturadas al comprador a los precios prevaletientes en el momento de la reparación.

El comprador original será responsable de todos los gastos incurridos en sacar, reinstalar y enviar el producto para reparación.

Esta garantía no se aplica cuando el ventilador tenga daños por abuso mecánico, físico, eléctrico o por agua resultando en su mal funcionamiento. Se exenta específicamente el deterioro en el acabado u otras partes debido al tiempo o exposición al aire marino bajo esta garantía.

Ni Craftmade/Ellington ni el fabricante se harán responsables por lo que pasa por una instalación inadecuada o el uso impropio de este producto. La compañía no se hará responsable en ningún caso de ningún daño emergente por incumplimiento de esta o cualquier otra garantía expresada o implicada en absoluto. Esta limitación de daños emergentes no se aplicará en estados donde es prohibido.

Piezas de repuesto.

Para piezas o información, referirse al

"Inventario de piezas" en la página 2.

Servicio al Cliente de Craftmade/Ellington:

1-800-486-4892

www.craftmadebrands.com

Craftmade

CEILING FANS

Est. 1985