



# 2-IN-1 LED PUCK

## ACCENT LED LIGHTING

These robust LED pucks, featuring a frosted lens, deliver highly efficient punches of white light. Well suited for under-cabinet lighting and a variety of other applications.



### KEY FEATURES

- Can be surface or recessed
- Heat sink and thermal protection
- Ideal for highlighting display cabinets
- Dimmable

## MODEL

- 4005FR** 1.5W single puck, 3000°K, 90 Lumens surface mounted adapter included
- K4005FR** 3 X 1.5W puck kit, 3000°K, 90 Lumens, each, surface mounted adapters included, includes a plug-in driver
- 4005HP** 2.6W single puck, 3000°K, 230 Lumens, surface mounted adapter sold separately

## SPECIFICATIONS

- 12V DC LED driver required.
- Over 50,000 hours of service life.
- 12" (30 cm) input lead with quick connector.
- 24" (61 cm) interconnection harness included.
- Warm white light output.
- Excellent color rendering.
- Superior LED performance and lifespan.
- Smooth 360°-wide spread.
- Minimal heat emission.
- Brighter than most equivalent 20W halogen pucks.
- Steel/aluminum construction.
- Frosted glass lens.
- Dimmable with most low-voltage electronic dimmers when used with DALI dimming power supply.

## INSTALLATION

- For recess or surface installation, in any direction.
- Ideal for accent lighting inside or under any cabinet, shelf or display.
- A variety of power supplies and installation accessories available.

## FINISH

- BK** Black  
**WH** White  
**SN** Satin nickel

## POWER SUPPLIES — PLUG-IN

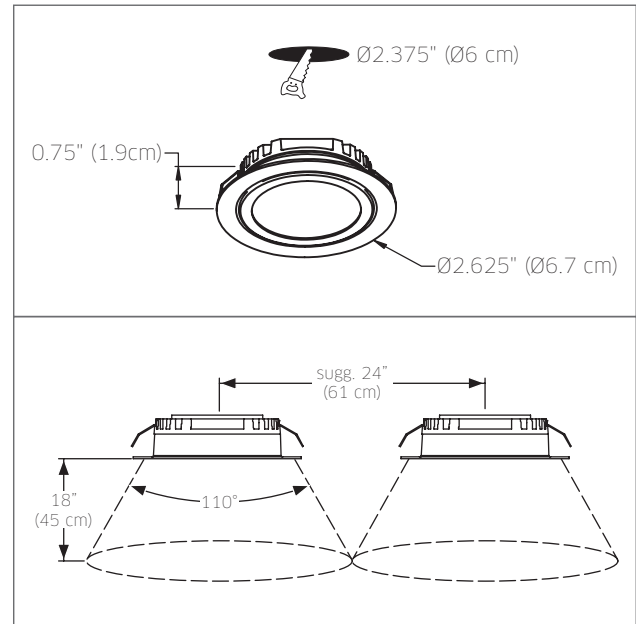
- ETR-LED10WPI** 12VDC/10W class 2 LED driver  
**ETR-LED24WPI** 12VDC/24W class 2 LED driver

## POWER SUPPLIES — HARD-WIRED

- BT06DIMLED-IC** 6W dimmable LED hardwire driver  
**BT12DIMLED-IC** 12W dimmable LED hardwire driver  
**BT24DIMLED-IC** 24W dimmable LED hardwire driver  
**BT36DIMLED** 36W dimmable LED hardwire driver  
**BT48DIMLED** 48W dimmable LED hardwire driver

## ACCESSORIES

- 4000E-24** 24" (61 cm) extension cord  
**4000E-60** 60" (152.4 cm) extension cord  
**4000HRNS-24** 24" (61 cm) interconnection harness  
**4005HP-SURF-BK** Surface mounted adapter, black  
**4005HP-SURF-SN** Surface mounted adapter, satin nickel  
**4005HP-SURF-WH** Surface mounted adapter, white



## ORDERING EXAMPLE

**4005FR-WH**  
Would order a 4005 single puck with a 1.5W LED array with 90 Lumens at 3000°K in a white finish.