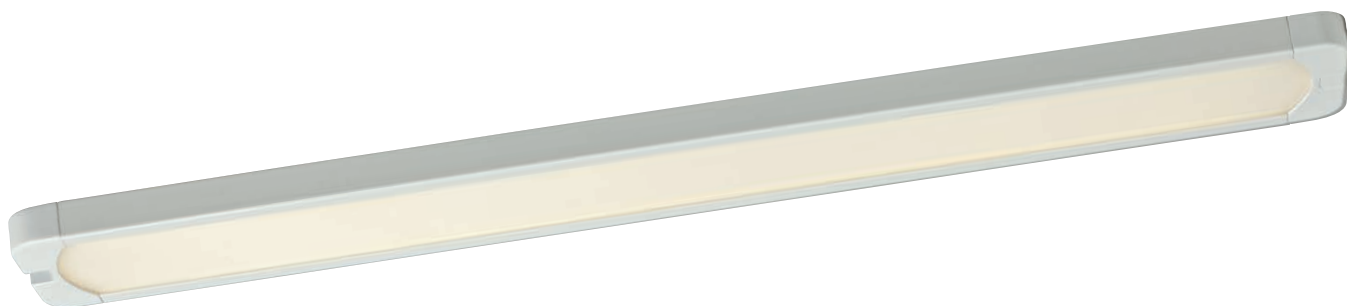




LED PANEL LINEAR

LINEAR LED LIGHTING

Our panel linear will blend in with ease into every application. Using it with shiny counters is the ideal choice, as the edge-lit design eliminates any bright spots.



KEY FEATURES

- Highly uniform light output
- Inter-connectable
- Dimmable

MODEL

- LEDPNL08** 5W LED panel linear, 3000°K, 432 Lumens
LEDPNL16 10W LED panel linear, 3000°K, 865 Lumens

SPECIFICATIONS

- 12V DC LED driver required.
- Over 50,000 hours of service life.
- 12" (30 cm) extension cord.
- Seamless connector to butt connect 2 fixtures.
- Warm white light output.
- Excellent color rendering.
- Superior LED performance and lifespan.
- Anit-glare solution.
- Minimal heat emission.
- Frosted lens.
- Edge lit technology.
- Aluminum construction.
- Interconnectable.
- Very low profile.
- Dimmable with most low-voltage electronic dimmers when used with DALI dimming power supply.

INSTALLATION

- For surface installation, in any direction.
- Ideal for accent lighting under any cabinet, shelf or display.
- A variety of power supplies and installation accessories available.
- Multiple fixtures can be linked together (up to 6 fixtures).

FINISH

WH White

POWER SUPPLIES — PLUG-IN

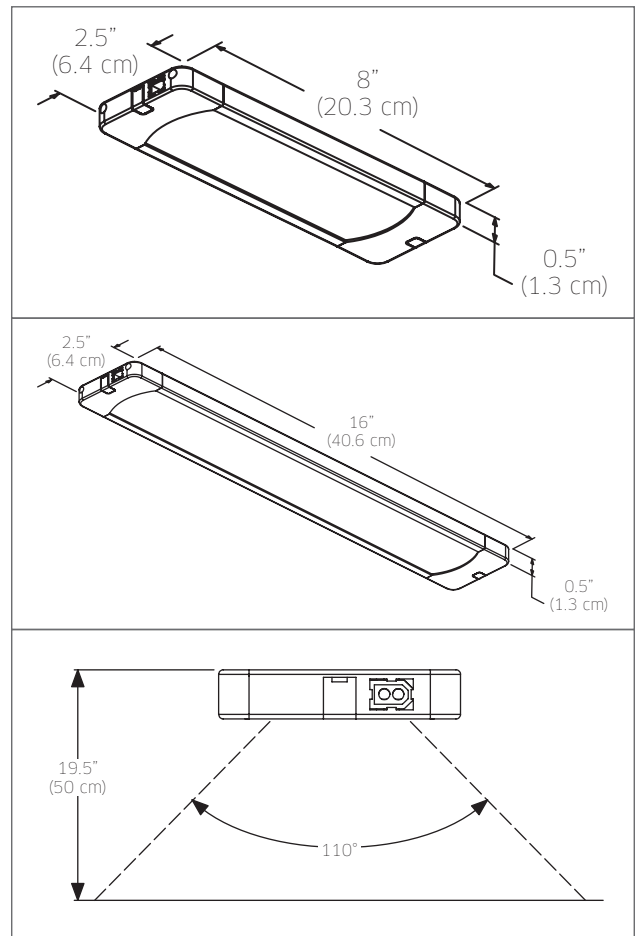
- ETR-LED10WPI** 12VDC/10W class 2 LED driver
ETR-LED24WPI 12VDC/24W class 2 LED driver

POWER SUPPLIES — HARD-WIRED

- BT06DIMLED-IC** 6W dimmable LED hardwire driver
BT12DIMLED-IC 12W dimmable LED hardwire driver
BT24DIMLED-IC 24W dimmable LED hardwire driver
BT36DIMLED 36W dimmable LED hardwire driver
BT48DIMLED 48W dimmable LED hardwire driver

ACCESSORIES

- 4000E-24** 24" (61 cm) extension cord
4000E-60 60" (152.4 cm) extension cord
4000HRNS-24 24" (61 cm) interconnection harness



ORDERING EXAMPLE

LEDPNL16

Would order a LEDPNL16 linear with a 10W LED array with 865 Lumens at 3000°K in a white finish.