



ETR-LED10WPI

12W 12V DC PLUG-IN DRIVER



BLACK

FEATURES

- Plug-in power supply
- Constant voltage mode power supply
- Switching power supply
- No dimming
- Protection : Short circuit / Over voltage
- Fully isolated plastic case
- Cooling by air convection
- 2 years warranty
- UL, FCC certification

SPECIFICATION

- Input voltage: 90 VAC ~ 264VAC @ 50/60Hz
- Output power : max 12W
- Output voltage : 12VDC \pm 5%
- Output current : max 1A
- Load range : 0% ~ 100%
- Protection : Short circuit / Over voltage

CERTIFICATION AND WARRANTY



- Approval : cUL #E241618, FCC, PSE
- 2 years warranty

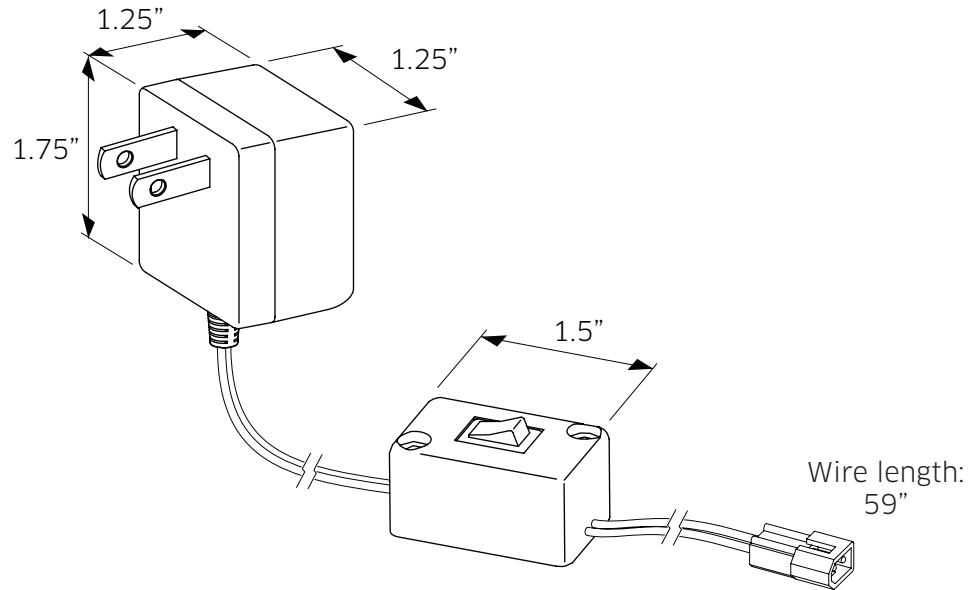
MECHANICAL AND THERMAL

- Operating temperature : 0°C ~ 40°C
- Dimension : 47mm x 34mm x 25mm
- Secondary cable : 2x 22AWG

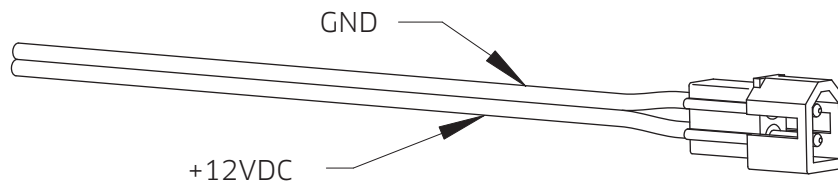


DALS LIGHTING INC.
30 Rolland Briere, suite 104, Blainville QC J7C 5R8
TEL: 450-430-1818 FAX: 450-430-1850
www.dalslighting.com

PHYSICAL DIMENSIONS



OUTPUT CONNECTION





ETR-LED24WPI

24W 12V DC PLUG-IN DRIVER



BLACK

FEATURES

- Constant voltage mode power supply
- Switching power supply
- No dimming
- Protection : Short circuit / Over voltage
- Cooling by air convection
- 2 years warranty
- UL certification

SPECIFICATION

- Input voltage : 100 VAC ~ 240VAC 50/60Hz
- Output power :max 24W
- Output voltage : 12VDC \pm 5%
- Output current :max 2A
- Protection :Short circuit / Over voltage

CERTIFICATION AND WARRANTY



- Approval : UL #E241618, FCC, PSE
- 2 years warranty

MECHANICAL AND THERMAL

- Operating temperature : 0°C ~ 40°C
- Case temperature max :70°C
- Dimension : 97mm x 45mm x 35mm
- Secondary cable :2x 20AWG



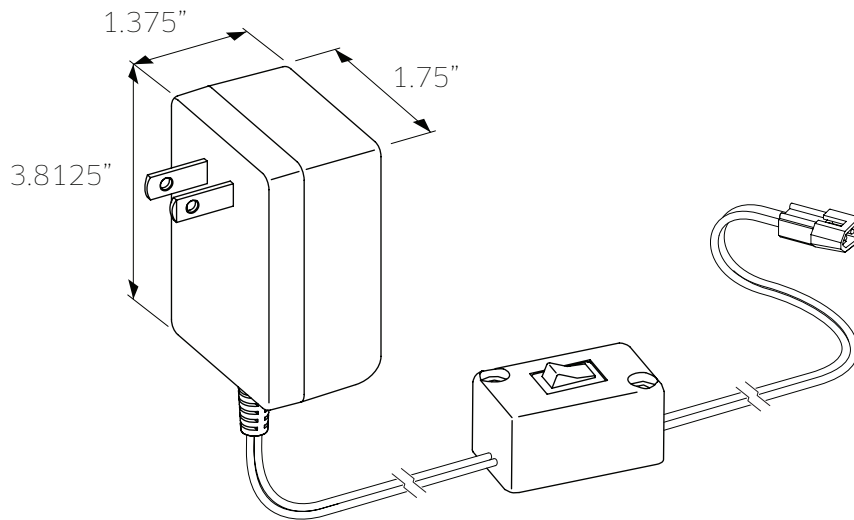
DALS LIGHTING INC.
30 Rolland Briere, suite 104, Blainville QC J7C 5R8
TEL: 450-430-1818 FAX: 450-430-1850
www.dalslighting.com



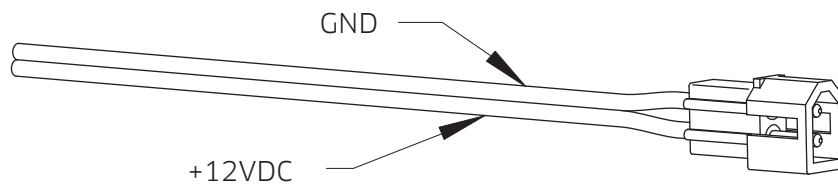
ETR-LED24WPI

24W 12V DC PLUG-IN DRIVER

PHYSICAL DIMENSIONS



OUTPUT CONNECTION



DALS LIGHTING INC.
30 Rolland Briere, suite 104, Blainville QC J7C 5R8
TEL: 450-430-1818 FAX: 450-430-1850
www.dalslighting.com