



SMOOTH BAFFLE SQUARE

RECESSED LED

When choosing a recessed fixture, eliminating glare is a priority. The unique positioning of the LED module in this series of downlights will meet that important need.



KEY FEATURES

- Integrated LED driver
- Fully dimmable solution
- Regressed light source



MODEL

RGR2SQ-3K 2" square regressed LED recessed fixture, 8W, 3000K, 580 Lumens

RGR4SQ-3K 4" square regressed LED recessed fixture, 15W, 3000K, 1100 Lumens

SPECIFICATIONS

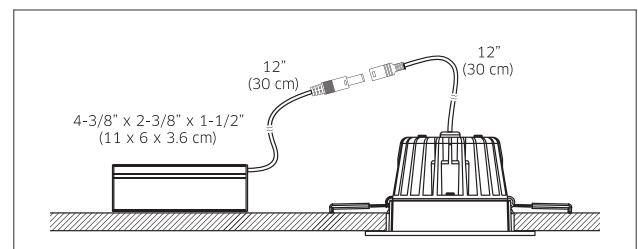
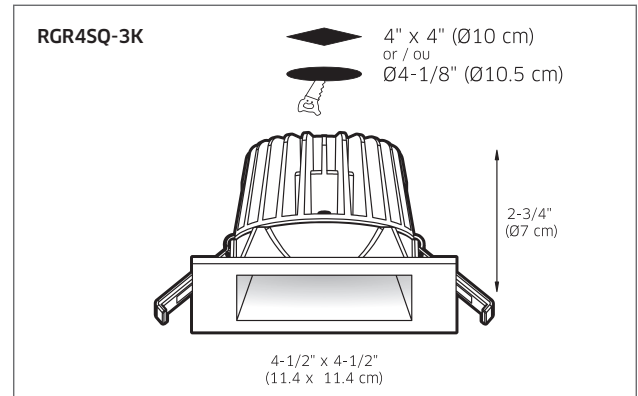
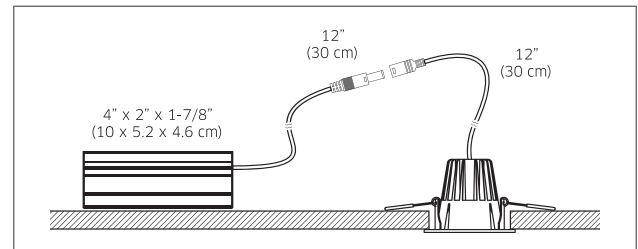
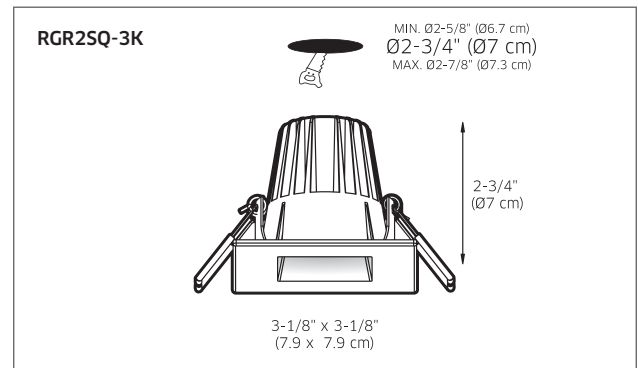
- 120V connection.
- Every fixture includes a junction box with integrated dimmable driver.
- Can be daisy chained.
- 90 CRI.
- Superior LED performance and lifespan.
- Regressed light source.
- Minimal heat emission.
- Aluminum construction.
- IC certification.
- Air-tight certified as per ASTM E283-04.

INSTALLATION

- For recessed installation, approved for insulated ceilings.
- Ideal for general lighting applications.

FINISH

BK Black
SN Satin nickel
WH White



ORDERING EXAMPLE

RGR2SQ-3K-SN

Would order a dimmable RGR2SQ-3K 2" square regressed LED recessed fixture in a satin nickel finish.