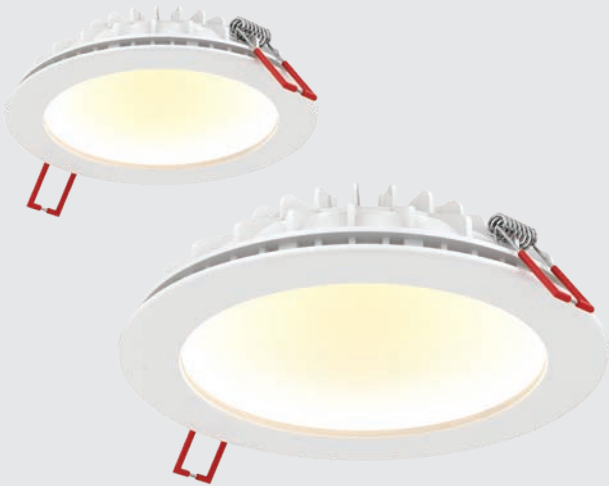


# INDIRECT PANEL

RECESSED LED

Imagine being able to create the perfect mood when dimming your lights. This is now possible with our Dim to Warm concept, generating a warm, exquisite glow to set the tone for your evening.



## KEY FEATURES

- Integrated LED driver
- Fully dimmable solution
- Regressed light source



## MODEL

- IND4-DW** 4" indirect lighting recessed fixture, 9W, Warm Dim between 3000K-2200K, 500 Lumens
- IND6-DW** 6" indirect lighting recessed fixture, 12W, Warm Dim between 3000K-2200K, 750 Lumens

## SPECIFICATIONS

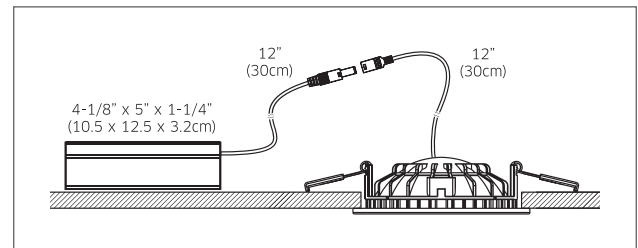
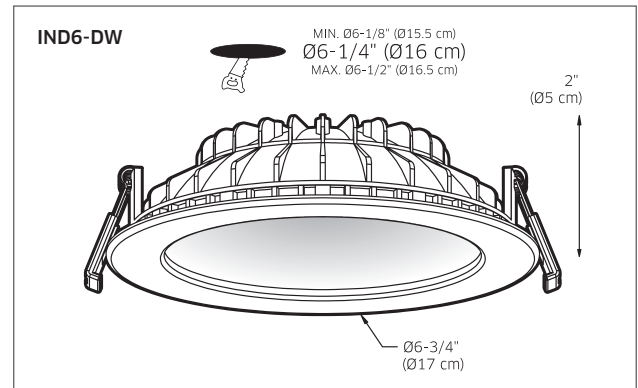
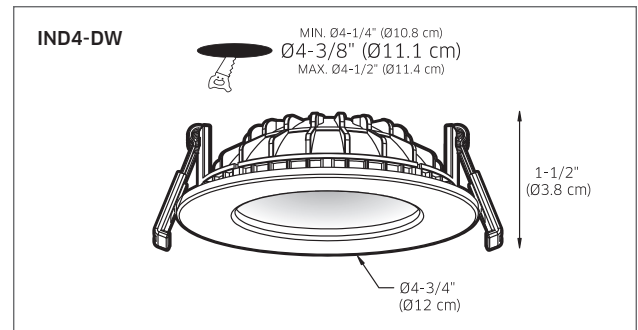
- 120V direct connection.
- Every fixture includes a junction box with integrated dimmable driver.
- Can be daisy chained.
- Over 50,000 hours of service life.
- Dim-to-warm technology, dims from 3000K to 2200K to mimic incandescent light.
- 80 CRI.
- Superior LED performance and lifespan.
- Smooth 360° wide spread.
- Minimal heat emission.
- Dome reflector.
- Indirect lighting design with glare reduction.
- Aluminum construction.
- Very low profile.
- IC certification (suitable for direct contact with insulation).
- Dimmable with most low-voltage electronic dimmers.
- Air-tight certified as per ASTM E283-04.
- Suitable for wet locations.

## INSTALLATION

- For recessed installation, approved for insulated ceilings.
- Ideal for general lighting applications.

## FINISH

**WH** White



## ORDERING EXAMPLE

IND4-DW-WH

Would order an indirect lighting 4" recessed fixture, with variable CCT through dimming between 3000K and 2200K in a white finish.