

## Suspension Kit Installation Instructions

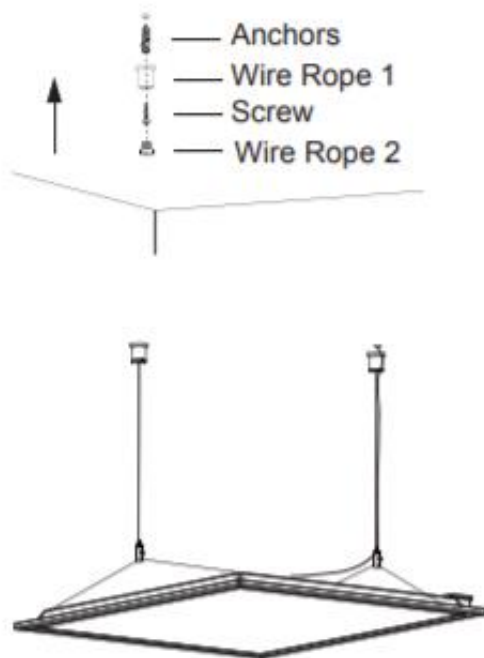
For suspension kits models:

**65/591** (fits 2x2 Back-Lit flat panels 65-571, 65/581, 65/575, 65/585)

**65/592** (fits 1x4 Back-Lit flat panels 65/573, 65/583, 65/577, 65/587)

**65/593** (fits 2x4 Back-Lit flat panels 65/572, 65/582, 65/576, 65/586)

1. Drill two holes in ceiling and put anchors into hole, then insert the wire rope and screw.



2. Adjust the hanging wire rope so the panel is in a horizontal position.

