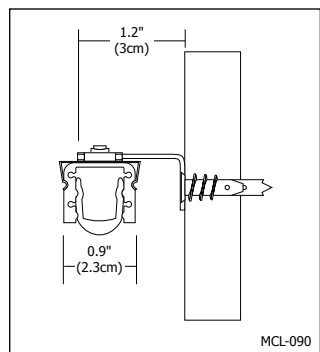
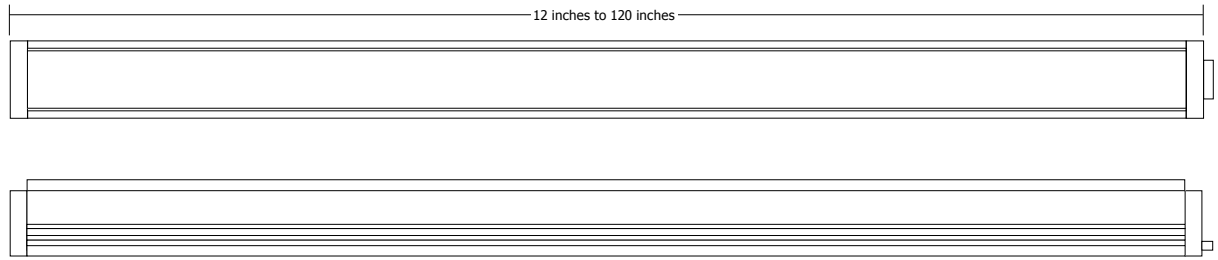


MICRO GRAZER LIGHT CHANNEL 2.6W 24VDC RGB

REV.08.03.16



MADE IN THE USA



Description:

Micro Grazer Light Channel LED features 24 volt RGB LEDs inside a slim, paintable aluminum extrusion. The asymmetrical, 10 degree lens is ideal for creating dramatic grazing effects. System is sold in 12 inch increments up to 120 inches. May be ordered in 4 inch increments. Mounting clips provided with each 2 foot section. Fixtures can be linked end-to-end with plug-in or flexible connectors to a maximum length of 36 feet. The system can be controlled using a compatible RGB 24 volt DC power supply with integrated RGB DMX driver. Includes 8 foot power feed cable. Fixtures include a 5 year warranty.

Applications:

Indoor and Wet Location - Highlight textured vertical surfaces, brick or stone walls, sheer curtains and edge lit glass. ETL listed for wet location.

Lamp:

18 RGB LEDs per foot
LED lamps consume 2.6 watts per foot

Average Lamp Life:

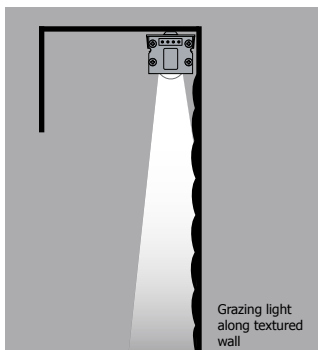
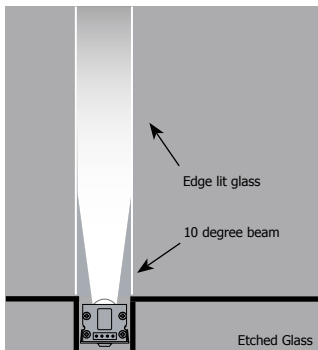
32,000 hours

Controller:

CTP Touch Screen Controller with Power Supply
CDP Color Dial Controller with Power Supply

24VDC Power Supply with DMX Driver (Sold Separately):

- PSB-100W-24VDC-RGB** 100W output, 120-277V Input
- PSB-2X100W-24VDC-RGB** 2x100W output, 120-277V Input
- PSB-3X100W-24VDC-RGB** 3x100W output, 120-277V Input
- PSB-4X100W-24VDC-RGB** 4x100W output, 120-277V Input



Product	Voltage	Length in Inches	Color Temperature	Finish	Options
LCMG LCMG Light Channel Micro Grazer	24V 24V 24 Volt DC	120IN 12-120 Order in 12 inch increments up to 120 inches May be ordered in 4 inch increments	RGB RGB Red, Green and Blue	SA SA Satin Aluminum Custom Finishes Available	Standard (leave blank) W Wet Location

PROJECT:

FIXTURE TYPE:

DATE:

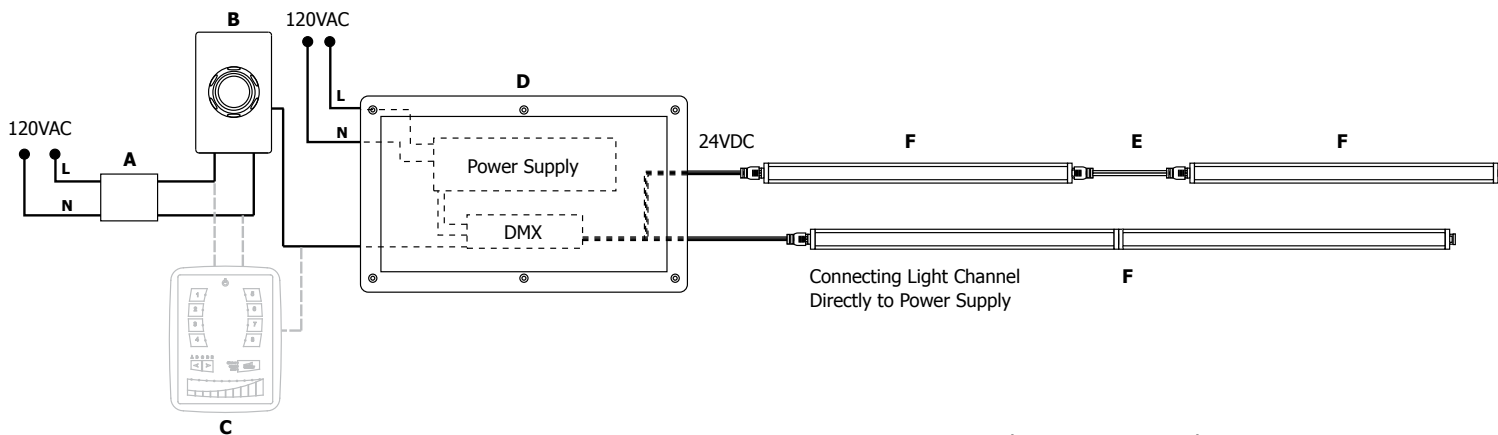


MICRO GRAZER LIGHT CHANNEL 2.6W 24VDC RGB

REV.08.03.16

Application: DMX Control options Micro Grazer Light Channel RGB

Power Supply with DMX Drivers:
100 Watt, 120 Volt Input, 24 Volt DC Output PSB-100W-24VDC-RGB
200 Watt, 120 Volt Input, 24 Volt DC Output PSB-200W-24VDC-RGB
400 Watt, 120 Volt Input, 24 Volt DC Output PSB-400W-24VDC-RGB



- A. Low-Voltage Power Supply (included with CDP and CTP)
- B. Controller Dial with Power Supply **CDP**
- C. Touch Screen Controller **CTP**
- D. 24VDC Power Supply with DMX controlled driver **PSB-_W-24VDC-RGB**
- E. Flexible connector, order to length 3"-144"
LC-CFX-_ -RGB
- F. Micro Grazer Light Channel
LCMG-24DC-_ IN-RGB-SA

PROJECT:

FIXTURE
TYPE:

DATE:

EDGE
LIGHTING

Please refer to chart below for exact lengths of the Micro Grazer Light Channel RGB

ORDERING CODE	LENGTH (INCHES)
4IN	4.94
8IN	8.94
12IN	12.94
16IN	16.94
20IN	20.94
24IN	24.94
28IN	28.94
32IN	32.94
36IN	36.94
40IN	40.94
44IN	44.94
48IN	48.94
52IN	52.94
56IN	56.94
60IN	60.94
64IN	64.94
68IN	68.94
72IN	72.94
76IN	76.94
80IN	80.94
84IN	84.94
88IN	88.94
92IN	92.94
96IN	96.94
100IN	100.94
104IN	104.94
108IN	108.94
112IN	112.94
116IN	116.94
120IN	120.94

PROJECT:

FIXTURE
TYPE:

DATE:

