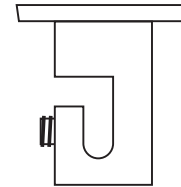


Installation Instructions for Swag Hook

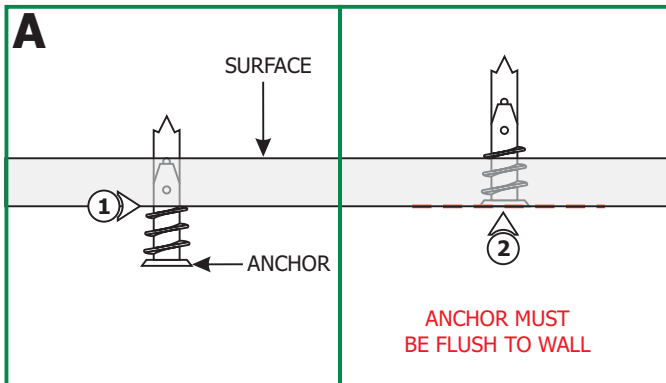
IMPORTANT INFORMATION

- This instruction shows a typical installation.

SAVE THESE INSTRUCTIONS!

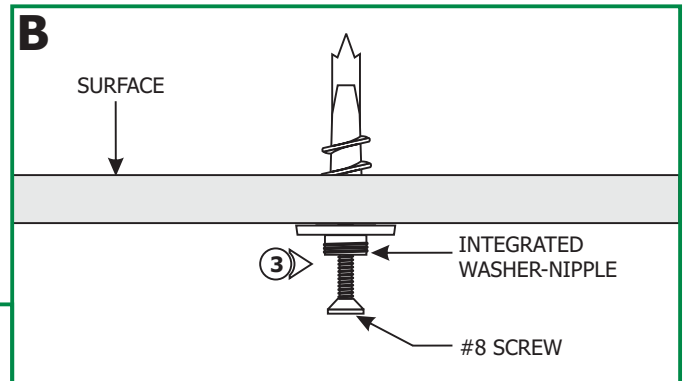


Install the Swag Hook

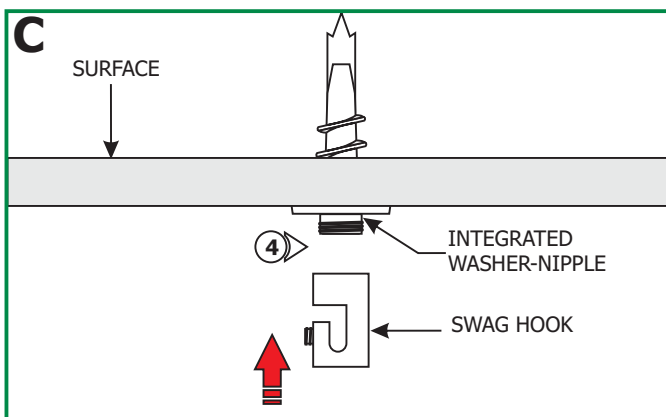


NOTE: Prior to installing Swag Hooks, proper location must be determined & marked.

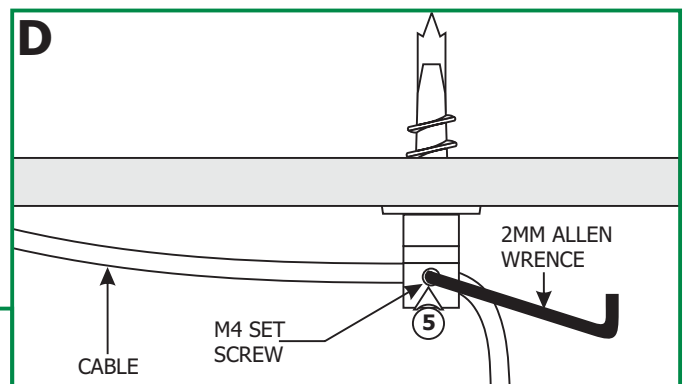
- 1: Tap the anchor onto the marked point up to the threaded portion with a hammer.
- 2: Screw in the threaded portion of the anchor with a Phillips screwdriver.



- 3: Mount the integrated washer-nipple to the anchor using the #8 screw provided.



- 4: Screw the swag hook completely onto the integrated washer-nipple.



- 5: Slide the coaxial cable into the swag hook and tighten the #6-32 set screw snugly with the 2MM Allen wrench provided.