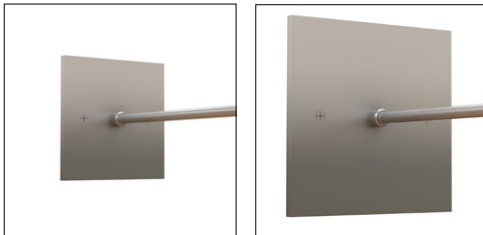


Feed-Through Power Stem

4.6" Round Canopy



2.8" Square Canopy

4.6" Square Canopy

Description:

Angle Display Sign features a lambertian white diffuser that provides uniform light without hotspots. At 7.5 watts per foot, the 24 volt DC channel fixture contains 85+ or 95+CRI LEDs and mounts 14 inches from wall. It may be ordered with a 4.6 inch round or square canopy that fits on a standard 4" square electrical box with round plaster ring. It may also be ordered with 2.8 inch square canopy or a special feed-thru stem for floating signs. Hinges on the fixture arm rotates up to 90 degrees (from facing the wall to straight down). Angle is powered by a Class 2 remote power supply up to 40 feet away. Available from 12 inches to 120 inches/10 feet (Chrome max at 84 inches). May be ordered in 3, 5, 8 or 10 inch increments. Fixtures include a 5 year warranty.

Finish:

Satin Nickel, Chrome, Antique Bronze, Satin Aluminum, White or Satin Black Custom finishes available

Applications:

Wall wash and retail stores

Lamp:

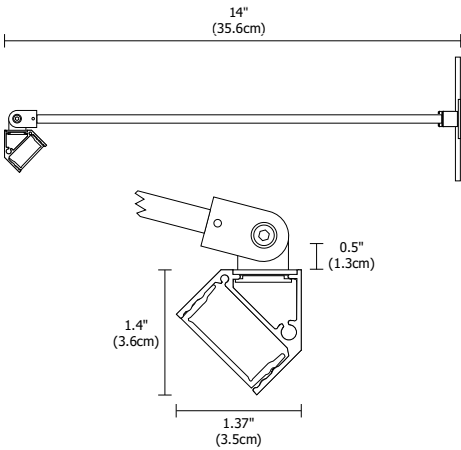
| Version | Watts per Foot | Lumens per Watt per Foot | 85+CRI | 95+CRI | 50,000 Hour Lamp Life |
|---------|----------------|--------------------------|--------|--------|-----------------------|
| 7WDC | 7.5 | 36 270 | ● | ● | ● |

Lumen values are based on the 3000K LED test.

Remote Power Supplies* & Dimmers

(Sold Separately):

- Electronic Low Voltage Dimming (ELV)
- 0-10 Volt Dimming (0-10V)
- Lutron Hi-lume®



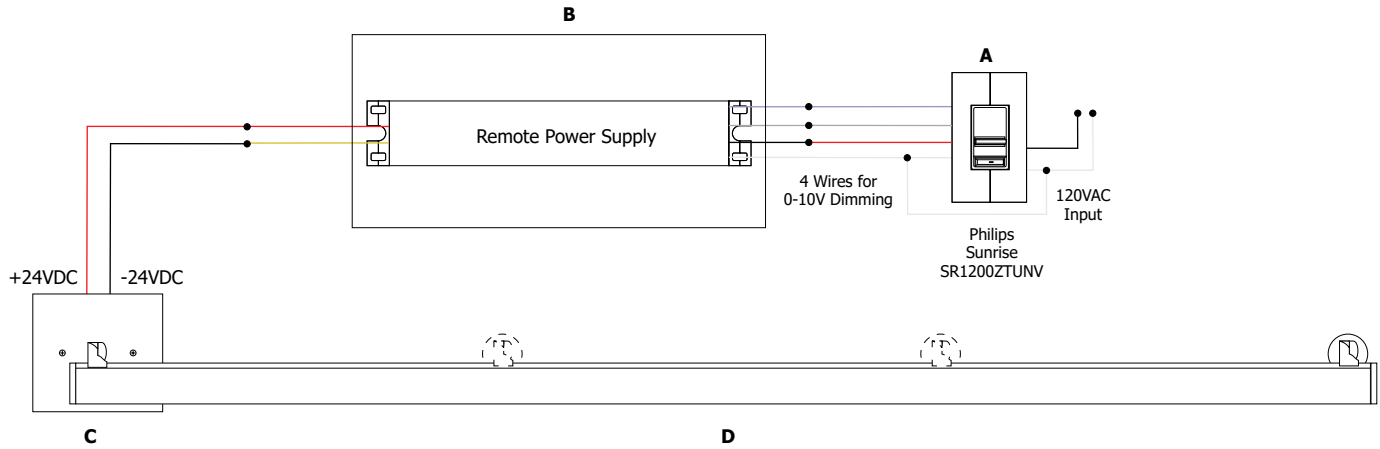
| System | Wattage/Voltage | Canopy | Nominal Size | Color Temperature | Finish |
|-------------------------|------------------------------------|-----------------------------------------------------------------------------------------------------------------|---------------------------------------------------------------------------------------------------------------------------------|-----------------------------------------------------------------------------------------------------------------------------------------------------------------------------------------------------|----------------------------------------------------------------------------------------------------------------------------------------------------------|
| AD | 7WDC | 4RD | 120IN | 27K | SN |
| AD Angle Display | 7WDC 7.5 Watt 24 Volt DC | 2SQ 2.8" Square 4RD 4.6" Round 4SQ 4.6" Square FTP Feed-Through Power Stem | 12-120 Order in 12 inch increments up to 120 inches May be ordered in 3, 5, 8 or 10 inch increments Chrome Max 84" | 22K 2200K Amber White 27K 2700K Very Warm White 30K 3000K Warm White 35K 3500K Neutral White 40K 4000K Cool White 57K 5700K Daylight White | SN Satin Nickel CH Chrome (Max 84") BZ Antique Bronze SA Satin Aluminum BK Satin Black WH White |

PROJECT: _____ FIXTURE TYPE: _____ DATE: _____ **EDGE LIGHTING**

Application: 0-10V dimming for Angle Display Sign

Power Supply: Class 2, 24VDC output: 120VAC input, PSB-25W-010-24VDC;
120-277VAC input, PSB-96W-010-24VDC; PSB-2X96W-010-24VDC

Dimming: Dimmable with 0-10V dimmer using power supplies above: Philips Sunrise SR1200ZTUNV, 0-10V dimmer recommended.



- A. Philips Sunrise 0-10V Dimmer **SR1200ZTUNV**
- B. 96W 24VDC Power Supply **PSB-96W-010-24VDC**
- C. 4.6" Square Canopy
- D. Angle Display Sign **AD-7WDC-4SQ-_-_-_-**



Satin Aluminum
SA



Satin Nickel
SN



Antique Bronze
BZ



Satin Black
BK



Chrome
CH



White
WH

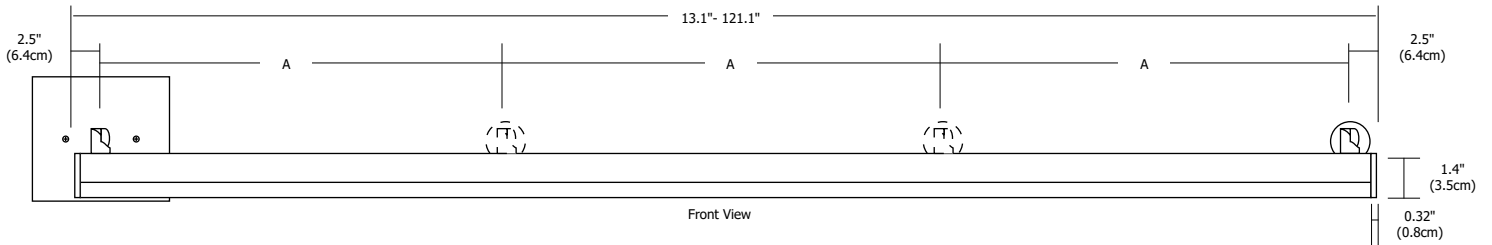
Fixture Mounted 14 inches from wall

| | | | | | | |
|----|--------------------|----|----|----|----|----|
| | [Image of fixture] | | | | | |
| 1' | 91 | 91 | 91 | 91 | 91 | 91 |
| 2' | 52 | 52 | 52 | 52 | 52 | 52 |
| 3' | 28 | 28 | 28 | 28 | 28 | 28 |
| 4' | 22 | 22 | 22 | 22 | 22 | 22 |
| 5' | 14 | 14 | 14 | 14 | 14 | 14 |
| 6' | 11 | 11 | 11 | 11 | 11 | 11 |
| 7' | 9 | 9 | 9 | 9 | 9 | 9 |
| 8' | 5 | 5 | 5 | 5 | 5 | 5 |

PROJECT:

FIXTURE
TYPE:

DATE:



ANGLE DISPLAY SIGN ACTUAL LENGTH

| ORDERING CODE (NOMINAL SIZE) | LENGTH (INCHES) | STEM QUANTITY | STEM SPACING (A) |
|---------------------------------|--------------------|------------------|---------------------|
| 12IN | 13.1 | 2 | 8.1 |
| 15IN | 15.5 | 2 | 10.5 |
| 17IN | 17.9 | 2 | 12.9 |
| 20IN | 20.3 | 2 | 15.3 |
| 22IN | 22.7 | 2 | 17.7 |
| 24IN | 25.1 | 2 | 20.1 |
| 27IN | 27.5 | 2 | 22.5 |
| 29IN | 29.9 | 2 | 24.9 |
| 32IN | 32.3 | 2 | 27.3 |
| 34IN | 34.7 | 2 | 29.7 |
| 36IN | 37.1 | 2 | 32.1 |
| 39IN | 39.5 | 2 | 34.5 |
| 41IN | 41.9 | 2 | 36.9 |
| 44IN | 44.3 | 2 | 39.3 |
| 46IN | 46.7 | 2 | 41.7 |
| 48IN | 49.1 | 2 | 44.1 |
| 51IN | 51.5 | 3 | 23.25 |
| 53IN | 53.9 | 3 | 24.45 |
| 56IN | 56.3 | 3 | 25.65 |
| 58IN | 58.7 | 3 | 26.85 |
| 60IN | 61.1 | 3 | 28.05 |
| 63IN | 63.5 | 3 | 29.25 |
| 65IN | 65.9 | 3 | 30.45 |
| 68IN | 68.3 | 3 | 31.65 |
| 70IN | 70.7 | 3 | 32.85 |
| 72IN | 73.1 | 3 | 34.05 |
| 75IN | 75.5 | 3 | 35.25 |
| 77IN | 77.9 | 3 | 36.45 |
| 80IN | 80.3 | 3 | 37.65 |
| 82IN | 82.7 | 3 | 38.85 |
| 84IN | 85.1 | 3 | 40.05 |
| 87IN | 87.5 | 3 | 41.25 |
| 89IN | 89.9 | 3 | 42.45 |
| 92IN | 92.3 | 3 | 43.65 |
| 94IN | 94.7 | 3 | 44.85 |
| 96IN | 97.1 | 3 | 46.05 |
| 99IN | 99.5 | 4 | 31.5 |
| 101IN | 101.9 | 4 | 32.3 |
| 104IN | 104.3 | 4 | 33.1 |
| 106IN | 106.7 | 4 | 33.9 |
| 108IN | 109.1 | 4 | 34.7 |
| 111IN | 111.5 | 4 | 35.5 |
| 113IN | 113.9 | 4 | 36.3 |
| 116IN | 116.3 | 4 | 37.1 |
| 118IN | 118.7 | 4 | 37.9 |
| 120IN | 121.1 | 4 | 38.7 |

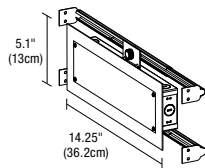
PROJECT: _____ FIXTURE TYPE: _____ DATE: _____ **EDGE LIGHTING**

REQUIRED COMPONENTS: 24VDC ELV Compatible Power Supplies.

| ELECTRONIC LOW-VOLTAGE (ELV) POWER SUPPLIES & RECOMMENDED DIMMERS [†] | | | | | |
|--------------------------------------------------------------------------------|--------------------|-----------------------|----------------------|------------------------|-----------------------|
| ORDERING CODES | PS-40W-ELV-24VDC | PS-60L-ELV-24VDC | PSB-60W-ELV-24VDC | PSB-2X60W-ELV-24VDC | PSB-100W-ELV-24VDC |
| | | | | | |
| SPECIFICATIONS | | | | | |
| MAXIMUM LOAD | 40W (FITS IN JBOX) | 60W (50W IN JBOX) | 60W | 2X60W | 96W |
| INPUT VOLTAGE | 120VAC | 120VAC | 120VAC | 120VAC | 120VAC |
| OUTPUT VOLTAGE | 24VDC | 24VDC | 24VDC | 24VDC | 24VDC |
| DIMENSIONS | 1.4" X 3" X 1" | 2.25" X 1.25" X 0.83" | 8.13" X 2" X 1.75" | 12.15" X 6.48" X 2.18" | 9.25" X 3.5" X 2" |
| CLASSIFICATION | CLASS 2 | CLASS 2 | CLASS 2 | CLASS 2 | CLASS 2 |
| IN WALL MOUNTING | N/A | N/A | PSB-60W-ELV-24VDC-IW | PSB-2X60W-ELV-24VDC-IW | PSB-100W-ELV-24VDC-IW |
| DIMMING AND CONTROLS | | | | | |
| LUTRON DIVA: DVELV-300P | • | • | • | • | • |
| LUTRON SKYLARK: SELV-300P | • | • | • | • | • |
| LUTRON RADIO RA2: RRD-6NA | N/A | N/A | • | • | • |
| LUTRON MAESTRO: MAELV-600 | • | • | • | • | • |
| LEGRAND ADORNE: ADTP-703TUM4 | N/A | N/A | • | • | • |

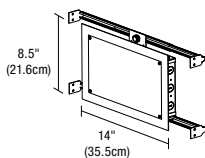
| ELECTRONIC LOW-VOLTAGE (ELV) POWER SUPPLIES & RECOMMENDED DIMMERS [†] | | | |
|--------------------------------------------------------------------------------|-------------------------|----------------------|----------------------|
| ORDERING CODES | PSB-2X100W-ELV-24VDC | PSB-3X100W-ELV-24VDC | PSB-4X100W-ELV-24VDC |
| | | | |
| SPECIFICATIONS | | | |
| MAXIMUM LOAD | 2X96W | 3X96W | 4X96W |
| INPUT VOLTAGE | 120VAC | 120VAC | 120VAC |
| OUTPUT VOLTAGE | 24VDC | 24VDC | 24VDC |
| DIMENSIONS | 12.15" X 6.48" X 2.18" | 14" X 10" X 3" | 17" X 13" X 3" |
| CLASSIFICATION | CLASS 2 | CLASS 2 | CLASS 2 |
| IN WALL MOUNTING | PSB-2X100W-ELV-24VDC-IW | N/A | N/A |
| DIMMING AND CONTROLS | | | |
| LUTRON DIVA: DVELV-300P | • | • | • |
| LUTRON SKYLARK: SELV-300P | • | • | • |
| LUTRON RADIO RA2: RRD-6NA | • | • | • |
| LUTRON MAESTRO: MAELV-600 | • | • | • |
| LEGRAND ADORNE: ADTP-703TUM4 | • | • | • |

[†]22K - 57K color temperatures are compatible with 0-10V, ELV, and Lutron Hi-lume® Power Supplies. Warm Dim (27D, 30D) color temperatures are only compatible with ELV power supplies. Tunable White (2K4K) color temperature is compatible with 0-10V, ELV, DMX, and Lutron Hi-lume® Power Supplies. Dynamic Color (RGB, RGB+W) and Static Color (Amber, Blue, Green, or Red) are compatible with DMX Power Supplies.



5.1 x 14.25 inch In-Wall Mounting Kit: Includes power supply, box cover and stud hangers for installing Junction Box in wall. Select "IW" in the options section of compatible power supply ordering codes if an In-Wall Mounting Kit is needed.

Ordering Codes: PSB-60W-ELV-24VDC-IW, PSB-100W-ELV-24VDC-IW



8.5 x 14 inch In-Wall Mounting Kit: Includes power supply, box cover and stud hangers for installing Junction Box in wall. Select "IW" in the options section of compatible power supply ordering codes if an In-Wall Mounting Kit is needed.

Ordering Codes: PSB-2x60W-ELV-24VDC-IW, PSB-2x100W-ELV-24VDC-IW

PROJECT:

FIXTURE
TYPE:

DATE:

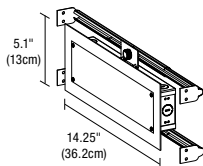


REQUIRED COMPONENTS: 24VDC 0-10V Compatible Power Supplies.

| 0-10 VOLT (010) POWER SUPPLIES & RECOMMENDED DIMMERS† | | | | |
|-------------------------------------------------------|-----------------------|-----------------------|-----------------------|------------------------|
| ORDERING CODES | PSB-25W-010-24VDC | PSB-60W-010-24VDC | PSB-96W-010-24VDC | PSB-2X96W-010-24VDC |
| | | | | |
| SPECIFICATIONS | | | | |
| MAXIMUM LOAD | 25W | 60W | 96W | 2X96W |
| INPUT VOLTAGE | 120VAC | 120-277VAC | 120-277VAC | 120-277VAC |
| OUTPUT VOLTAGE | 24VDC | 24VDC | 24VDC | 24VDC |
| DIMENSIONS | 12.4" X 3.12" X 2.18" | 12.4" X 3.12" X 2.18" | 12.4" X 3.12" X 2.18" | 12.15" X 6.48" X 2.18" |
| CLASSIFICATION | CLASS 2 | CLASS 2 | CLASS 2 | CLASS 2 |
| IN WALL MOUNTING | PSB-25W-010-24VDC-IW | PSB-60W-010-24VDC-IW | PSB-96W-010-24VDC-IW | PSB-2X96W-010-24VDC-IW |
| DIMMING AND CONTROLS | | | | |
| PHILIPS SUNRISE: SR1200ZTUNV | • | • | • | • |
| LUTRON DIVA:: DVTV-WH | • | • | • | • |
| LUTRON NOVA T: NTSTV-DV-XX | • | • | • | • |
| LUTRON GRAFIX EYE QS: QSGRJ-XP | • | • | • | • |
| LUTRON RADIO RA2: RRD-10ND | • | • | • | • |
| LEVITON: LEV40050 | • | • | • | • |
| LEVITON IP710-LFZ | • | • | • | • |
| LEGRAND: ADPD4FBL3P2W4 | • | • | • | • |

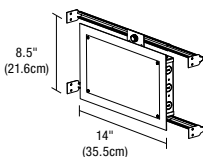
| 0-10 VOLT (010) POWER SUPPLIES & RECOMMENDED DIMMERS† | | |
|-------------------------------------------------------|---------------------|---------------------|
| ORDERING CODES | PSB-3X96W-010-24VDC | PSB-4X96W-010-24VDC |
| | | |
| SPECIFICATIONS | | |
| MAXIMUM LOAD | 3X96W | 4X96W |
| INPUT VOLTAGE | 120-277VAC | 120-277VAC |
| OUTPUT VOLTAGE | 24VDC | 24VDC |
| DIMENSIONS | 14" X 10" X 3" | 17" X 13" X 3" |
| CLASSIFICATION | CLASS 2 | CLASS 2 |
| IN WALL MOUNTING | N/A | N/A |
| DIMMING AND CONTROLS | | |
| PHILIPS SUNRISE: SR1200ZTUNV | • | • |
| LUTRON DIVA: DVTV-WH | • | • |
| LUTRON NOVA T: NTSTV-DV-XX | • | • |
| LUTRON GRAFIX EYE QS: QSGRJ-XP | • | • |
| LUTRON RADIO RA2: RRD-10ND | • | • |
| LEVITON: LEV40050 | • | • |
| LEVITON IP710-LFZ | • | • |
| LEGRAND: ADPD4FBL3P2W4 | • | • |

†22K - 57K color temperatures are compatible with 0-10V, ELV, and Lutron Hi-lume® Power Supplies. Warm Dim (27D, 30D) color temperatures are only compatible with ELV power supplies. Tunable White (2K4K) color temperature is compatible with 0-10V, ELV, DMX, and Lutron Hi-lume® Power Supplies. Dynamic Color (RGB, RGB+W) and Static Color (Amber, Blue, Green, or Red) are compatible with DMX Power Supplies.



5.1 x 14.25 inch In-Wall Mounting Kit: Includes power supply, box cover and stud hangers for installing Junction Box in wall. Select "IW" in the options section of compatible power supply ordering codes if an In-Wall Mounting Kit is needed.

Ordering Codes: PSB-25W-010-24VDC-IW, PSB-60W-010-24VDC-IW, PSB-96W-010-24VDC-IW



8.5 x 14 inch In-Wall Mounting Kit: Includes power supply, box cover and stud hangers for installing Junction Box in wall. Select "IW" in the options section of compatible power supply ordering codes if an In-Wall Mounting Kit is needed.

Ordering Codes: PSB-2X96W-010-24VDC-IW


PROJECT:

FIXTURE TYPE:

DATE:



REQUIRED COMPONENTS: 24VDC Lutron Compatible Power Supply.

| LUTRON HI-LUME® PREMIER .1% ECOSYSTEM® 3-WIRE POWER SUPPLY & RECOMMENDED CONTROLLERS ¹ | |
|---------------------------------------------------------------------------------------------------|----------------------------------------------------------------------------------------------------------------|
| ORDERING CODES | <p>L3D0-96W24V-U</p>  |
| SPECIFICATIONS | |
| MAXIMUM LOAD | 96W |
| INPUT VOLTAGE | 120-277VAC |
| OUTPUT VOLTAGE | 24VDC |
| DIMENSIONS | 10.5" X 5.5" X 2" |
| CLASSIFICATION | CLASS 2 |
| DIMMING AND CONTROLS | |
| RADIO RA2 | • |
| HOMEWORKS QS | • |
| PHPM-3F-120 | • |
| PHPM-3F-DV | • |
| BCI-0-10 | • |

¹22K - 57K color temperatures are compatible with 0-10V, ELV, and Lutron Hi-lume® Power Supplies. Warm Dim (27D, 30D) color temperatures are only compatible with ELV power supplies. Tunable White (2K4K) color temperature is compatible with 0-10V, ELV, DMX, and Lutron Hi-lume® Power Supplies. Dynamic Color (RGB, RGB+W) and Static Color (Amber, Blue, Green, or Red) are compatible with DMX Power Supplies.

PROJECT:

FIXTURE TYPE:

DATE:

