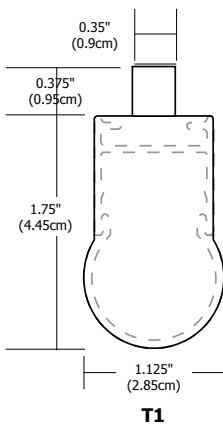
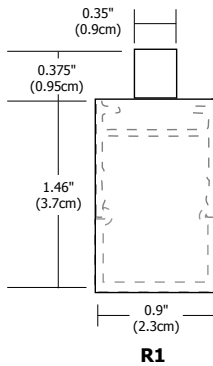
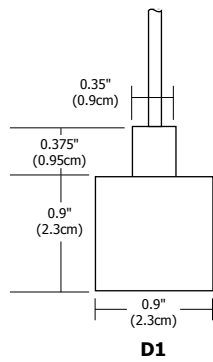
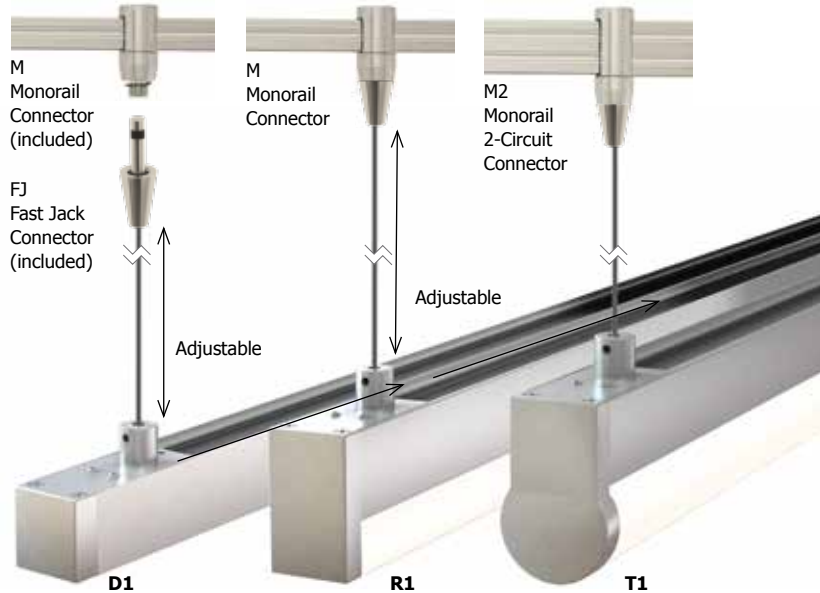


REV.04.22.15



Warm White 100° 7 Watt	
Distance	Foot Candles
2ft	126
3ft	62
4ft	39
6ft	20
8ft	12



**Description:**

Cirrus Float features a direct 1" (D1), rectangular 1" (R1) or a tubular 1 1/8" (T1) lens, offering an array of choices for style, functionality and beam distribution. At 7 watts per foot, the 12VAC fixtures contain very warm white 92+CRI LEDs. Available in lengths from 36- to 96- inches. May be ordered in 3, 6 or 9 inch increments. Cirrus Float can be seamlessly integrated into Edge Lighting Monorail (M) or Monorail 2-Circuit (M2) systems. Both versions (M and M2) include corresponding mounting hardware. Float fixtures feature adjustable aircraft cables that slide across the length of fixture for flexibility when mounting to the rail. Hardware and supporting cables are Antique Bronze for Antique Bronze and Black fixtures and are Satin Nickel for all other finishes. Power cables are Satin Nickel for all finish options. Fixture includes a 5 year warranty.

**System Compatibility:**

Monorail (M) and Monorail 2-Circuit (M2)

**Fixture Finish:**

Satin Aluminum, Satin Nickel, Chrome, Antique Bronze, Satin Black and White; Custom finishes available

**Monorail Connector Finish:**

Antique Bronze and Black fixtures include Antique Bronze connectors; all other finishes include Satin Nickel connectors

**Lamp:**

Version	Watts per Foot	Lumens		92CRI 27K, 30K	50,000 Hour Lamp Life
		per Watt	per Foot		
<b>D1</b>	7	34	241	●	●
<b>R1</b>	7	36	262	●	●
<b>T1</b>	7	36	268	●	●

Lumen values are based on the 3000K LED test.

**Applications:**

Indoor - Architectural lighting, general lighting and retail  
Mount fixture 70" above finished floor

System	Product	Lens	Length in Inches	Color Temperature	Finish
<b>M</b>	<b>CF</b>	<b>D1</b>	<b>72IN</b>	<b>27K</b>	<b>SA</b>
<b>M</b> Monorail <b>M2</b> Monorail 2 Circuit	<b>CF</b> Cirrus Float 12 Volt	<b>D1</b> Direct 1" <b>T1</b> Tubular 1" <b>R1</b> Rectangular 1"	<b>36</b> 36" <b>72</b> 72" <b>48</b> 48" <b>96</b> 96" <b>60</b> 60"	<b>27K</b> 2,700K Very Warm White <b>30K</b> 3,000K Warm White	<b>SA</b> Satin Aluminum <b>BZ</b> Antique Bronze <b>SN</b> Satin Nickel <b>BK</b> Black <b>CH</b> Chrome <b>WH</b> White

May be ordered in 3, 6 or 9 inch increments

PROJECT:

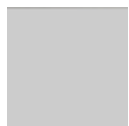
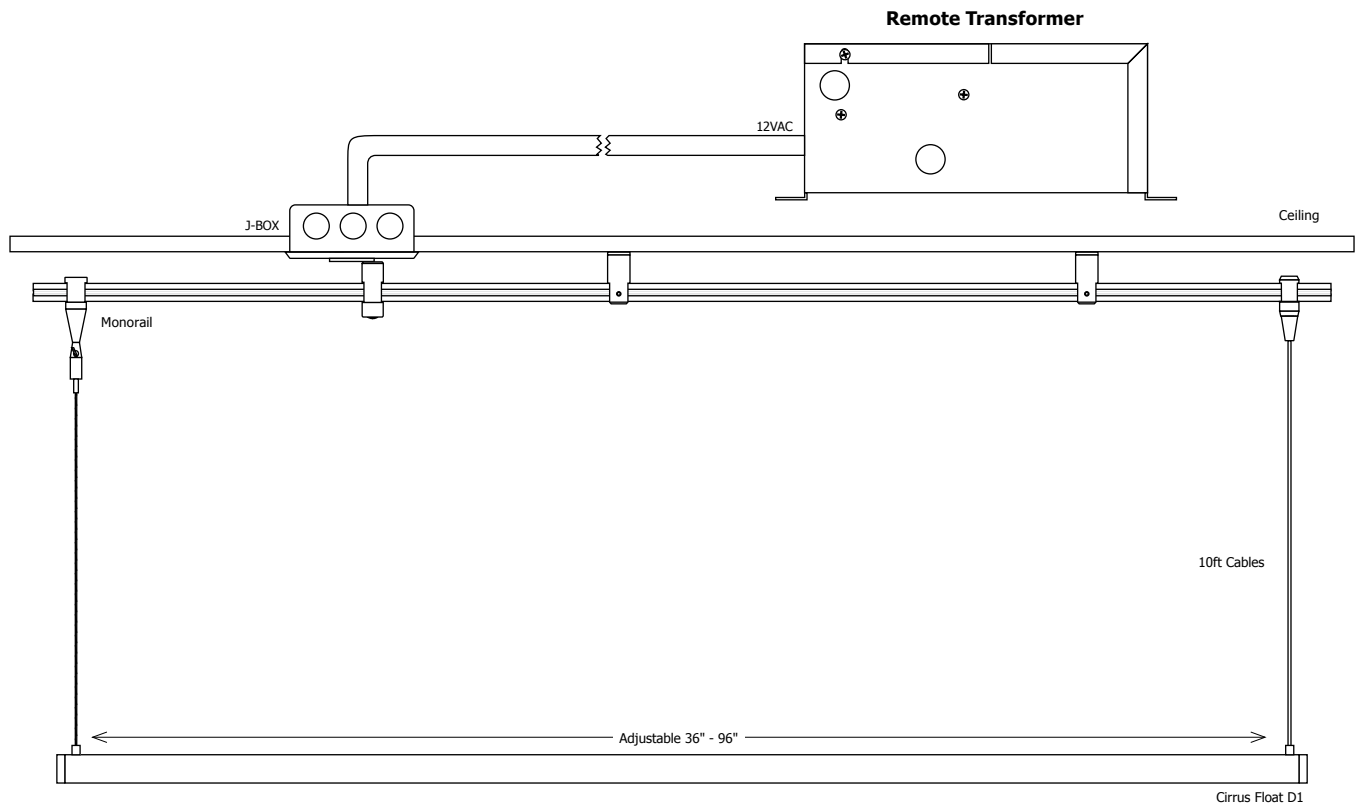
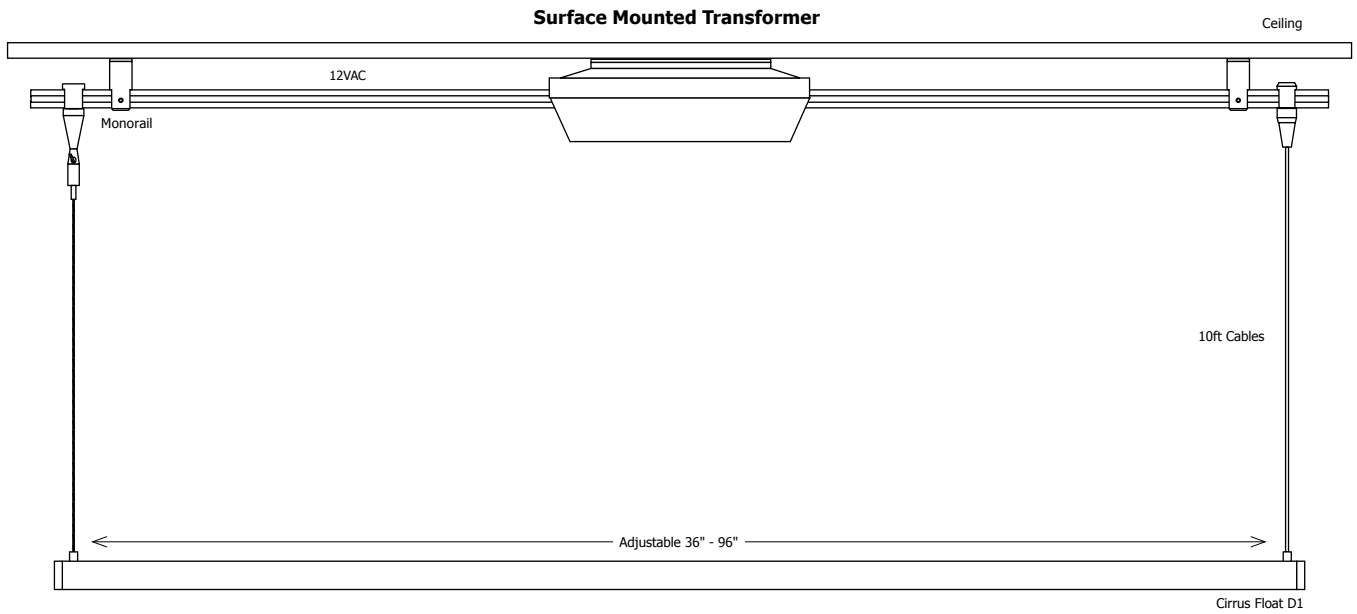
FIXTURE TYPE:

DATE:



# CIRRUS FLOAT FOR MONORAIL 120V/12VAC FIXTURE, 92+CRI

REV.04.22.15



Satin Aluminum Anodized



Satin Nickel Anodized



Antique Bronze Anodized



Satin Black Anodized



Chrome Plated



White Powder Coated

PROJECT:

FIXTURE TYPE:

DATE:

