

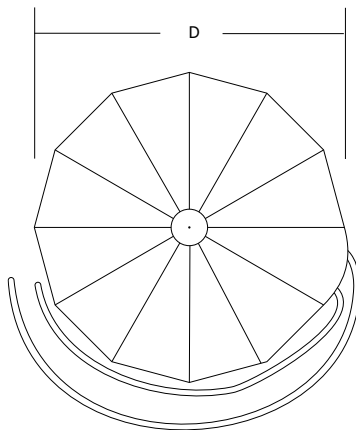
REV.10.26.16



Dimming Debuzzing Coil 12V or 24V

Dimming debuzzing coil is used in conjunction with magnetic transformers to reduce noise created by dimming. Installed on line voltage side of transformer between dimmer and transformer.

System	Power Type
TDB	150
TDB Transformer Dimming Debuzzing Coil	150 150 Watt 150-LED 150 Watt for LED load only 300 300 Watt 600 600 Watt



PROJECT:

FIXTURE TYPE:

DATE:

