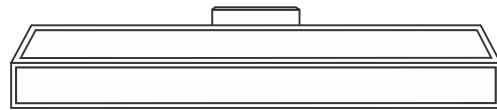


Installation Instructions for Greta LED

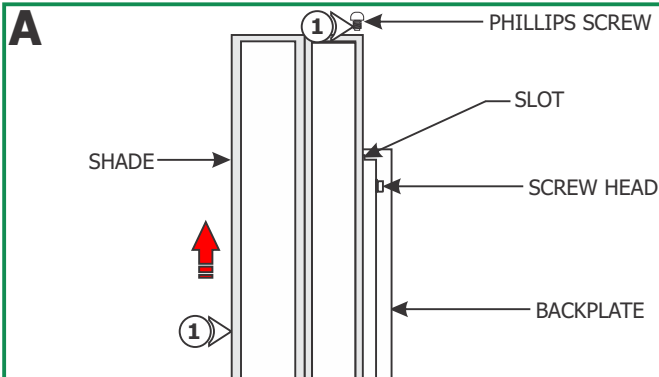
IMPORTANT INFORMATION

- Use this fixture indoors only.
- This product is ETL listed for damp locations.
- This product is wall mounted only.
- This product can mount to either a 4" square junction box with round plaster ring or an octagon junction box.
- This product can be dimmed with a standard low-voltage electronic dimmer.
- This product must be installed by a qualified electrician.
- **Before beginning any electrical work, ensure that power to the junction box is turned OFF.**

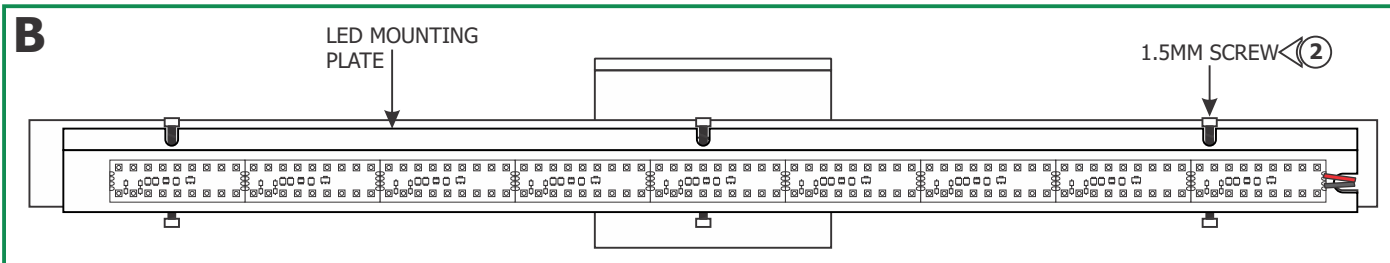
SAVE THESE INSTRUCTIONS!



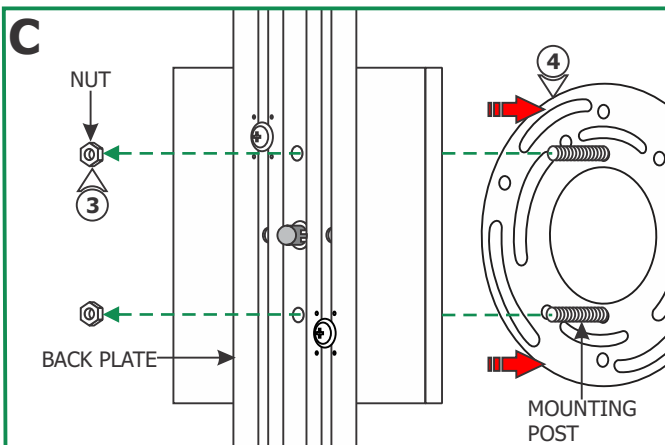
Disassemble the Fixture



1: Remove the Phillips screw on one end of the shade and slide the shade off the backplate.



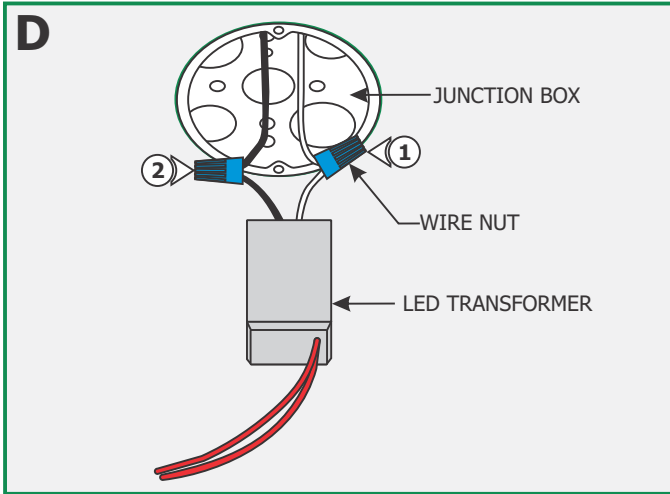
2: Remove the LED mounting plate by loosening the six 1.5mm screws using an M3 Allen wrench.



3: Loosen and remove two nuts from the threaded posts

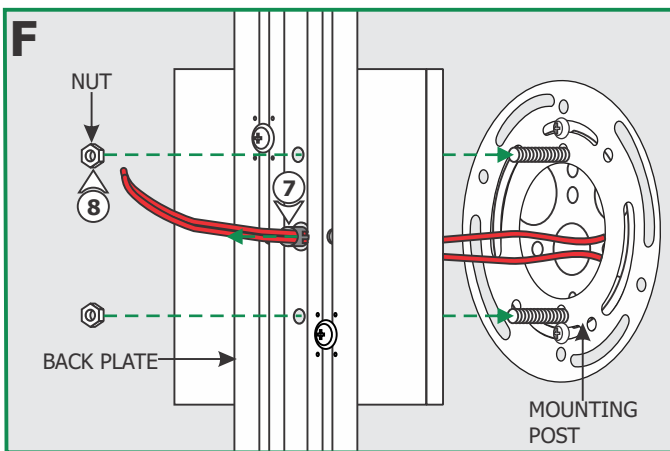
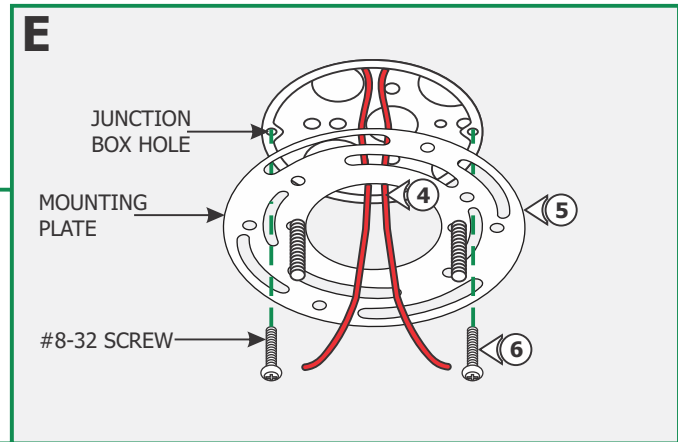
4: Remove the fixture back plate from the mounting plate.

Install the Fixture



- 1:** Connect the white LED transformer wire to the neutral power wire with a wire nut.
- 2:** Connect the black LED transformer wire to the hot power wire with a wire nut.
- 3:** Place the LED transformer and all wire connections inside

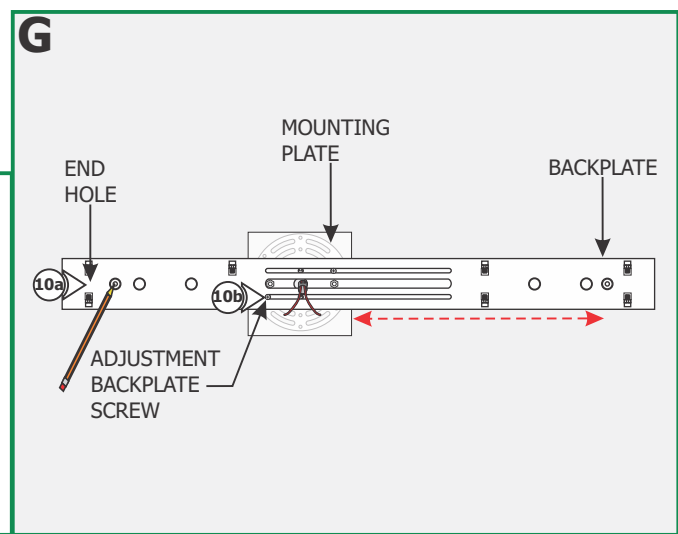
- 4:** Feed the LED power wires through the mounting plate center cutout.
- 5:** Place the mounting plate to the junction box and level mounting studs.
- 6:** Secure the mounting plate to the junction box using two

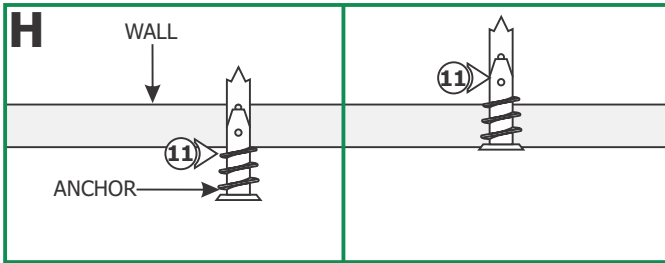


NOTE: It is recommended more than one person assist with installing this fixture.

- 7:** Feed the LED transformer power wires through the strain relief center hole of the backplate and canopy.
- 8:** Place the back plate and canopy on to the mounting posts and tighten both nuts securely.

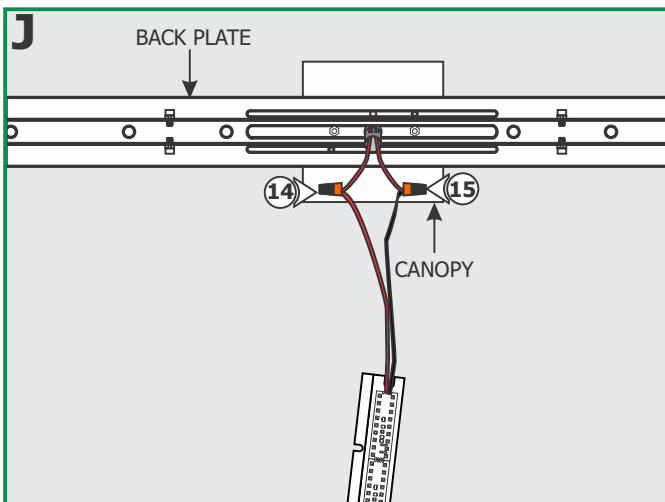
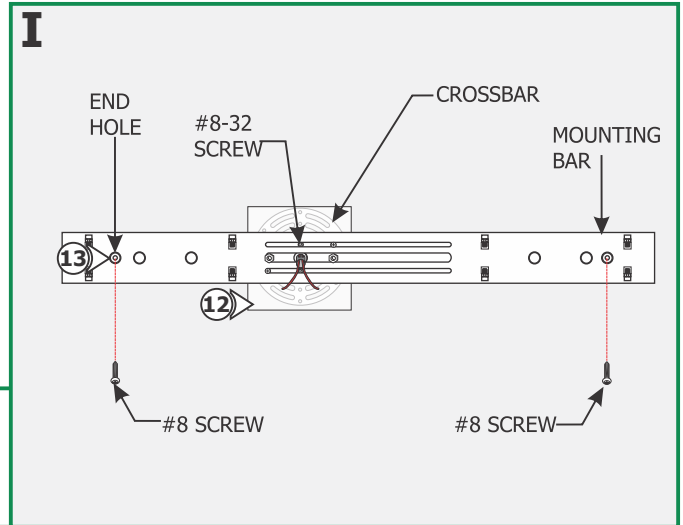
- 9:** Align the backplate screw holes to the electrical box mounting holes, and place the backplate on wall to mark the anchor location.
- 10a: If mounting fixture centered:** mark the end holes on the wall. These marked holes are for anchors.
- 10b: If mounting fixture off centered:** slightly loosen the two backplate screws and slide the backplate to the desired position and tighten the backplate screws. Mark the end holes of the backplate on the wall. These marked



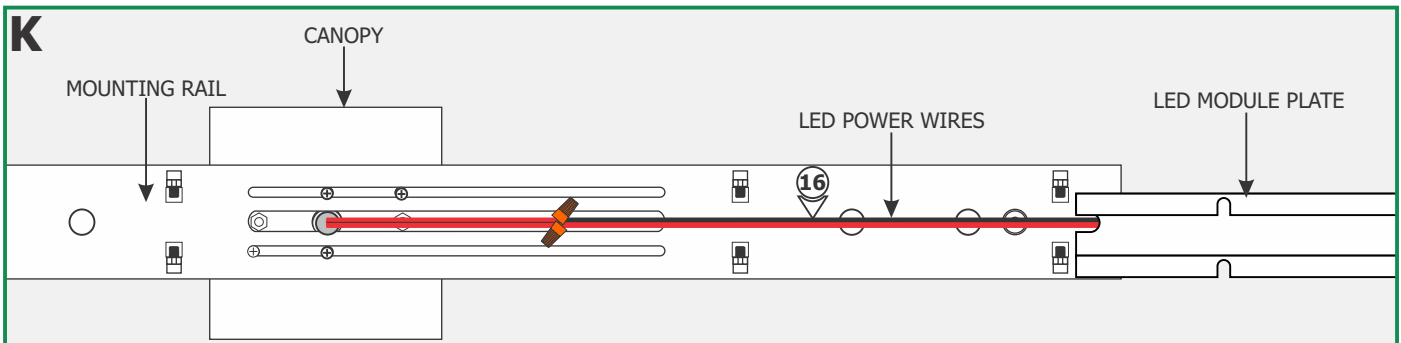


11: Remove the backplate from the wall and tap the anchors on the marked points up to the threaded portion with a hammer. Screw in the threaded portion of the anchors with a Phillips screwdriver.

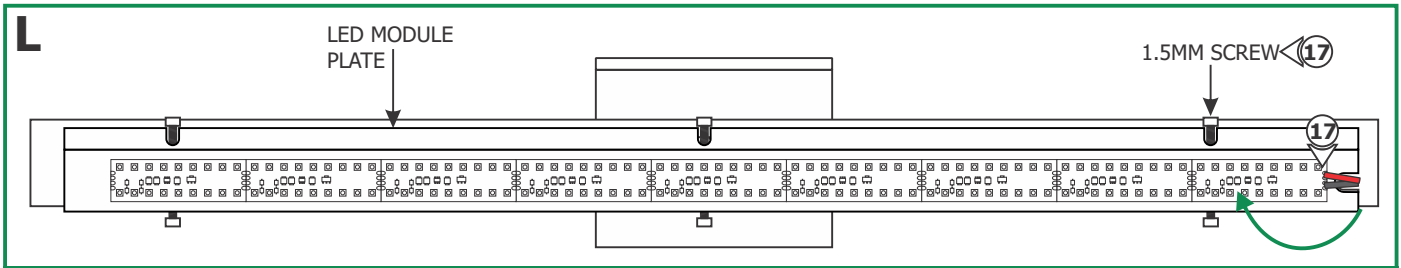
12: Repeat steps 7 and 8 (refer to Figure F on Page 2).
13 Secure the ends of the backplate to the anchors with the two #8 screws.



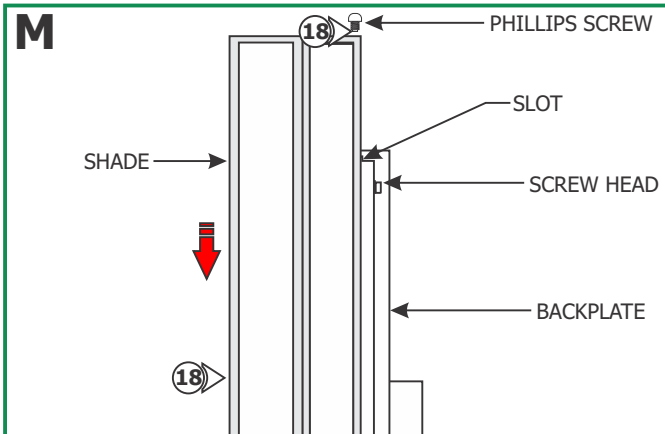
14: Connect the red LED Module wire to one of the transformer wires (either one) with a wire nut.
15: Connect the black LED module wire to the other transformer wire with a wire nut.



16: Lay the LED module wires and connections between the LED module plate and mounting rail.



17: Replace the LED module plate by rotating and placing it on the mounting rail, making sure all wires and wire connections are under the LED module plate. Replace and tighten the six 1.5mm screw using an M3 Allen wrench.



18: Slide the shade onto the backplate. Replace the Phillips screw and tighten to secure the shade in place.