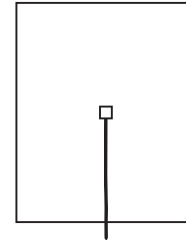


Installation Instructions for **Mirror Defogger**

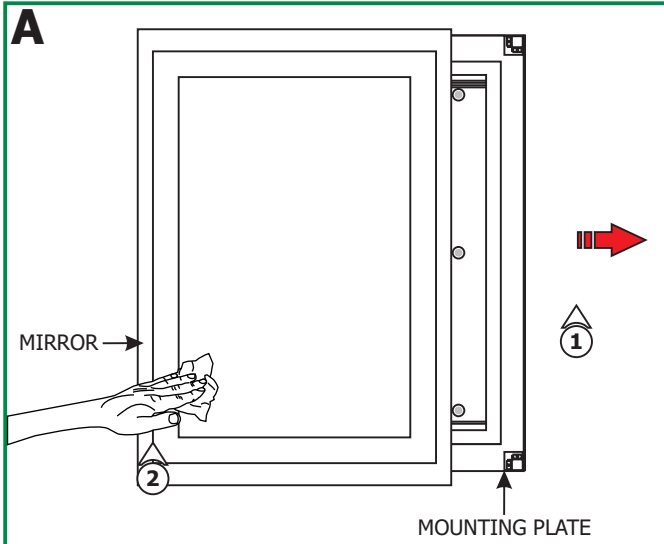
IMPORTANT INFORMATION

- This product is for wall mounted Mirror installations only.
- This product is to be used only with Edge Lighting Mirrors.

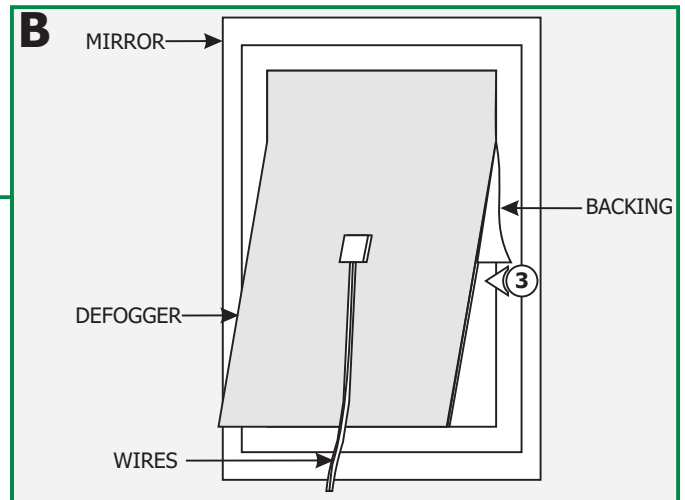
SAVE THESE INSTRUCTIONS!



Install the Defogger to a Mirror

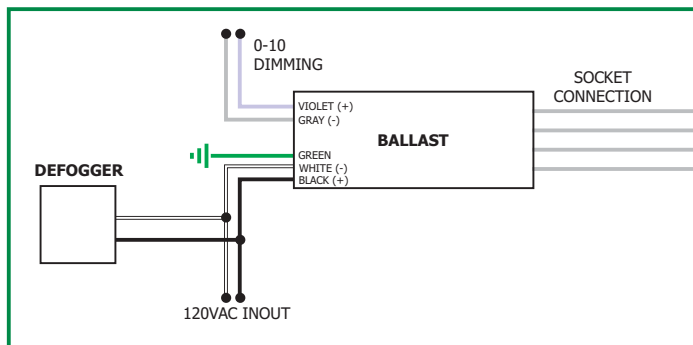


- 1: Refer to instructions provided with the Edge Lighting mirror to remove the mirror.
- 2: Gently place the mirror on a padded flat surface, and clean the back of the mirror from any dust or grease. Make sure to completely dry mirror before continuing.



- 3: Remove the backing from the defogger and firmly press it down on back of the dimmer, little at a time to avoid air bubbles.
- 4: Connect the defogger wires to the 120 Volt power wires with wire nuts, refer to the wiring diagram below for more information.
- 5: Refer to instructions provided with Edge Lighting mirror to reinstall mirror.

Basic Wiring Diagram



Wiring Diagram for LED

