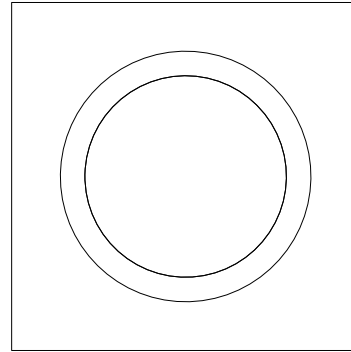


## Installation Instructions for Alice LED

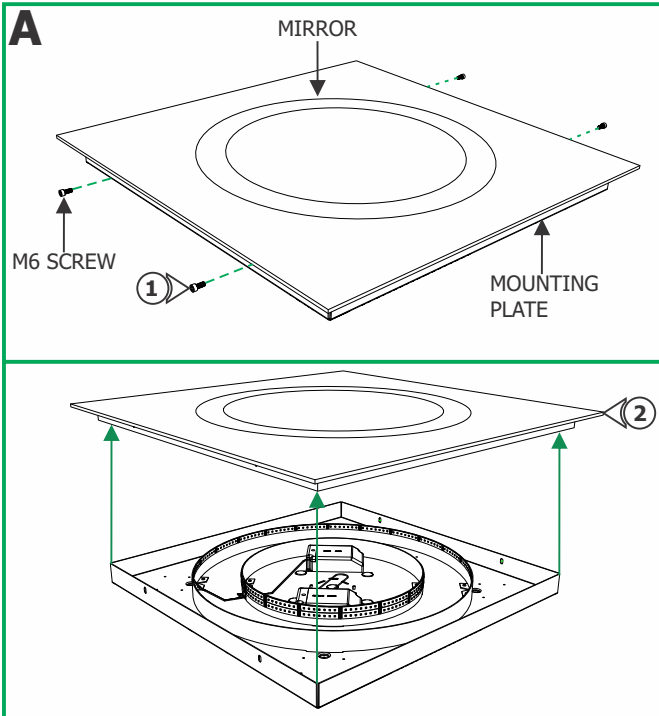
### IMPORTANT INFORMATION

- This product is wall mounted only.
- Supply power to mirror in accordance with local electrical codes.
- This instruction shows a typical installation.
- This product is dimmable with ELV dimmers.
- Ensure that power to the junction box is turned **OFF** before beginning any electrical work.

**SAVE THESE INSTRUCTIONS!**

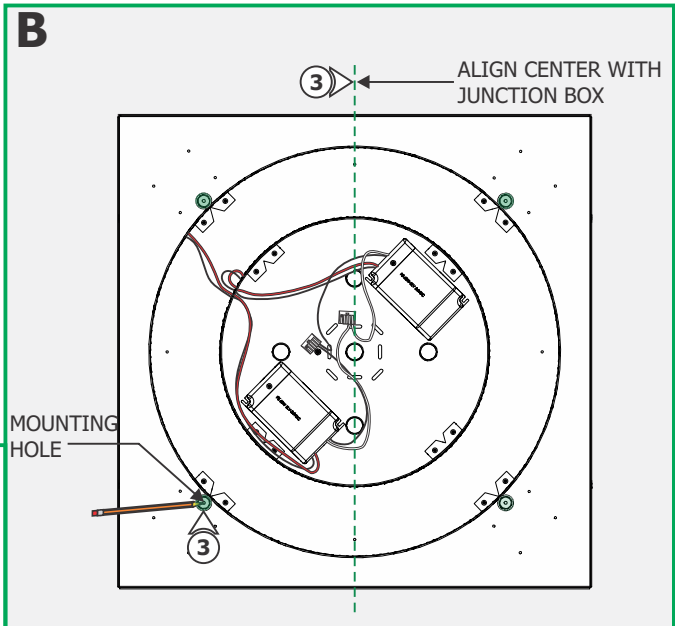


## Install the Mounting Plate



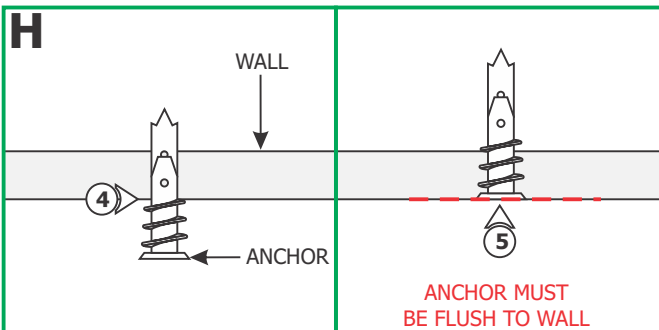
**NOTE:** It is recommended that more than one person install this product.

- 1: Loosen and remove the four M6 screws on the top and bottom of the mounting plate with the 3mm Allen wrench.
- 2: Pull the mounting plate completely out of the mirror.

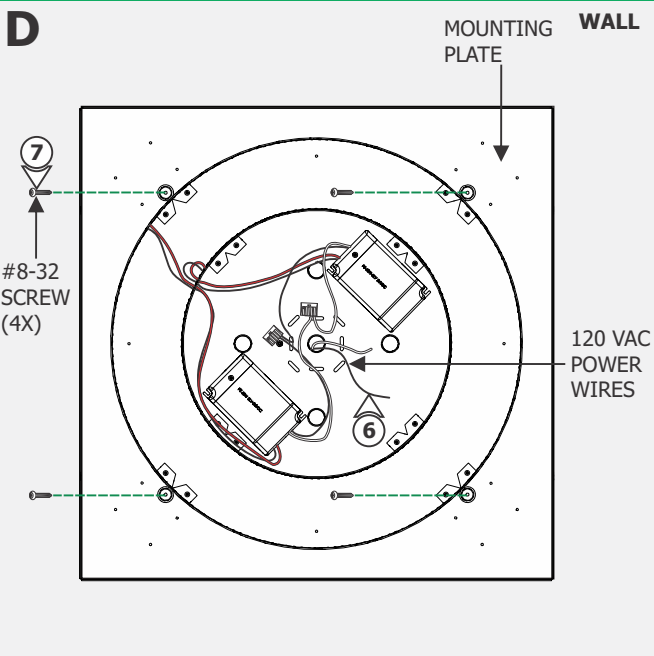


- 3: Align the mounting plate hole with the power line conduit or junction box. Use the mounting plate as a template to mark four mounting holes (highlighted in GREEN) onto the wall.

**NOTE:** Make sure that the mounting plate is leveled horizontally.



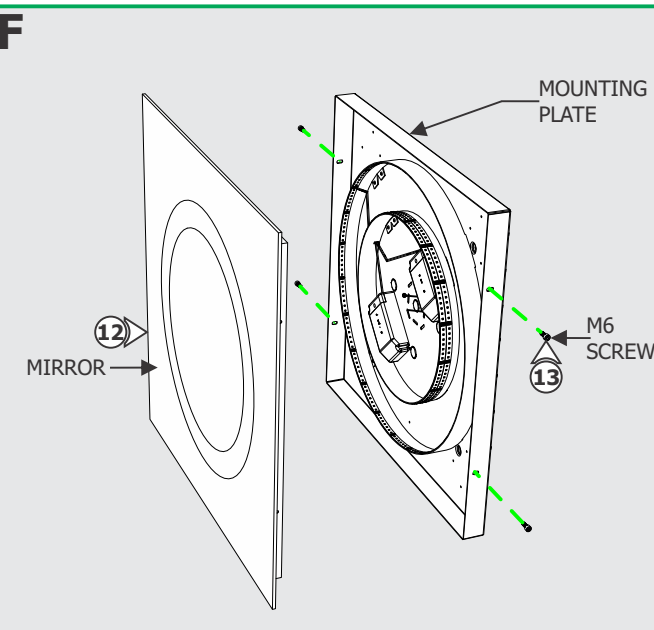
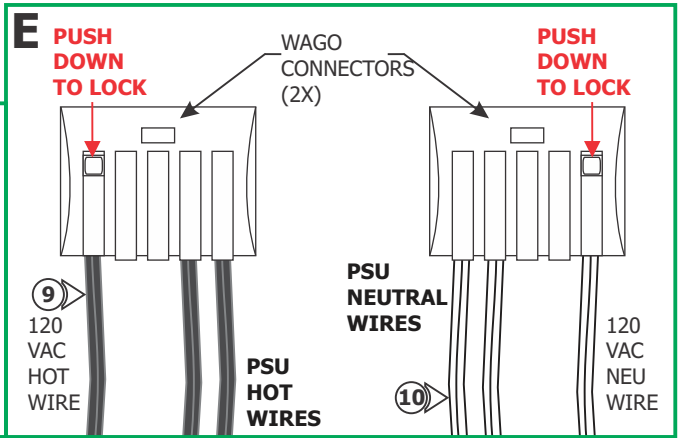
- 4: Tap the anchors onto the marked points up to the threaded portion with a hammer.
- 5: Screw in the threaded portion of the anchors with a Phillips screwdriver.



- 6:** Feed the 120 VAC power wires through the mounting plate.
- 7:** Line up the mounting plate holes with the anchors and secure it with the four #8-32 screws provided.
- 8:** Ensure the mounting plate is grounded in accordance with local electrical codes.

**NOTE:** Contains integrated 24V LED lights consuming a total of 75 Watts.

- 9:** On the Wago connector that connects the 120V hot transformer wires, pull up an available lock lever and insert the 120VAC hot power wire. Press the lock lever down to connect and lock into place.
- 10:** On the Wago connector that connects the 120V neutral transformer wires, pull up an available lock lever and insert the 120VAC neutral power wire. Press the lock lever down to connect and lock into place.



- 12:** Carefully place the mirror onto the mounting plate.
- 13:** Secure the mirror to the mounting place by tightening four