

# R4-408

## 4" ROUND SHOWER TRIM



Project

Location

### PRODUCT DESCRIPTION

4" Round shower trim with semi frosted glass (DAMP Location)

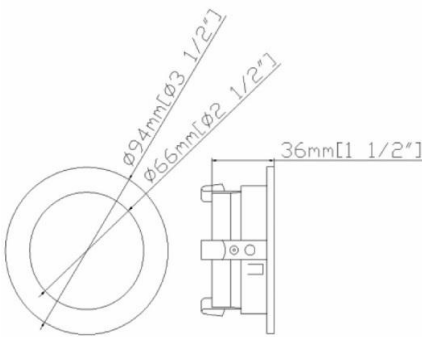
To be used in low and line voltage applications.

**LAMPING:** Accommodates an MR-16 or GU-10 bulb. Please see housing for maximum wattage allowed according to selection.

Painted finishes are powder coated for abrasion resistance, frosted lens included. Steel metal clips secure to housing.

**DIAMETER:** 4 7/8"

**FINISHES:** Matte White (MW)



MODEL	FINISH
R4-408	MW

### COMPATIBLE HOUSINGS

Model	Description
R4-050	4" LOW VOLTAGE NON IC REMODEL HOUSING REMOTE TRANSFORMER (NOT SUPPLIED) 50W MAX MR-16
R4-19AT	4" LINE VOLTAGE NON IC AIRTITE NEW CONSTRUCTION HOUSING 50W MAX R/PAR-20
R4-19RAT	4" LINE VOLTAGE NON IC AIRTITE REMODEL HOUSING 50W MAX R/PAR-20
R4-499AT	4" LOW VOLTAGE NON IC AIRTITE NEW CONSTRUCTION HOUSING 50W MAX MR-16
R4-499ICA	4" LOW VOLTAGE IC AIRTITE NEW CONSTRUCTION HOUSING 35W MAX MR-16
R4-499RAT	4" LOW VOLTAGE NON IC AIRTITE REMODEL HOUSING 50W MAX MR-16
R4-499SAT	4" LOW VOLTAGE NON IC AIRTITE NEW CONSTRUCTION HOUSING 50W MAX MR-16
R4-499SRAT	4" LOW VOLTAGE NON IC AIRTITE REMODEL HOUSING 50W MAX MR-16
R4-G19AT	4" LINE VOLTAGE NON IC AIRTITE NEW CONSTRUCTION HOUSING 50W MAX GU-10
R4-G19ICA	4" LINE VOLTAGE IC AIRTITE NEW CONSTRUCTION HOUSING 35W MAX GU-10
R4-G19RAT	4" LINE VOLTAGE NON IC AIRTITE REMODEL HOUSING 50W MAX GU-10
R4-G19ICAT-LED	4" LINE VOLTAGE IC AIRTITE NEW CONSTRUCTION HOUSING 8W MAX LED GU-10
R4-G19ICRAT-LED	4" LINE VOLTAGE IC AIRTITE REMODEL HOUSING 8W MAX LED GU-10

