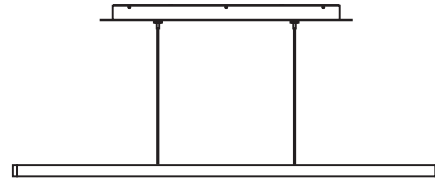


## Installation Instructions for Cirrus Float Center Feed

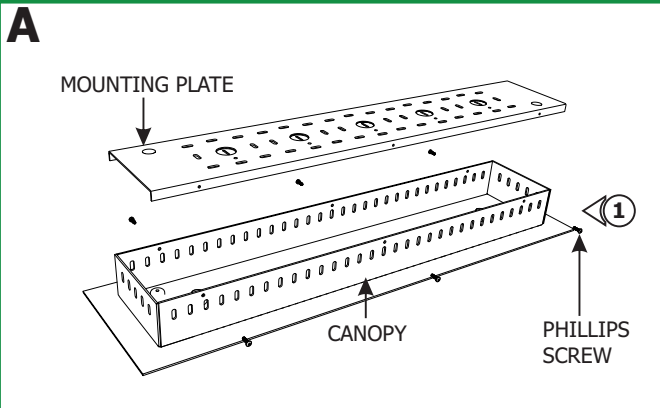
### IMPORTANT INFORMATION

- This product is suitable for indoor locations.
- This instruction shows a typical instruction.

**SAVE THESE INSTRUCTIONS!**

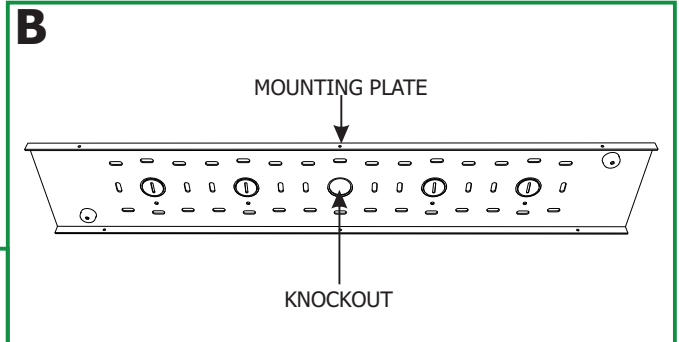


### Install the Canopy

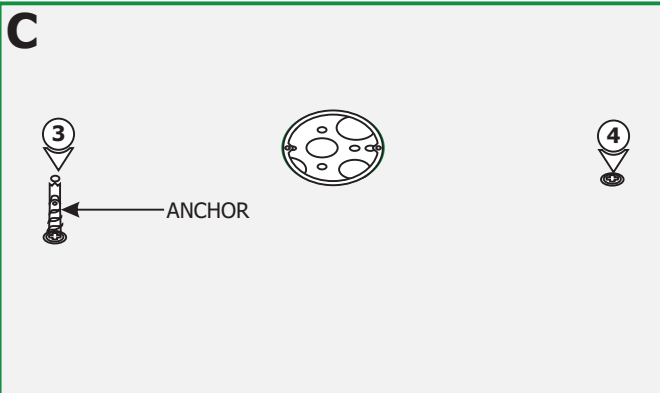


**NOTE:** It is recommended more than one person assist in this installation

**1:** Loosen and remove the six Phillips screws from the canopy to remove the mounting plate.



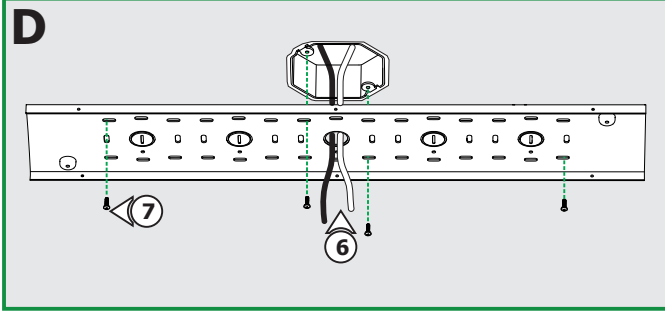
**2:** Select the appropriate knockout on the mounting plate and remove it using a flathead screwdriver or other appropriate tool.



**3:** Align the mounting plate holes with the junction box holes and mark one point on each side of the junction box through the mounting plate holes onto the ceiling. These points are used for the anchors.

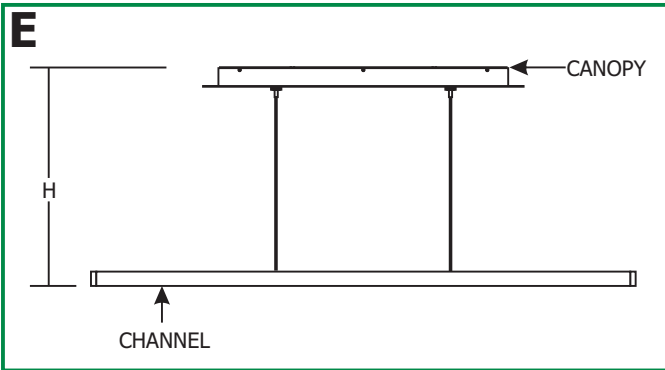
**4:** Tap the anchors onto the marked points up to the threaded portion with a hammer.

**5:** Screw in the threaded portion of the anchors with a Phillips screwdriver.



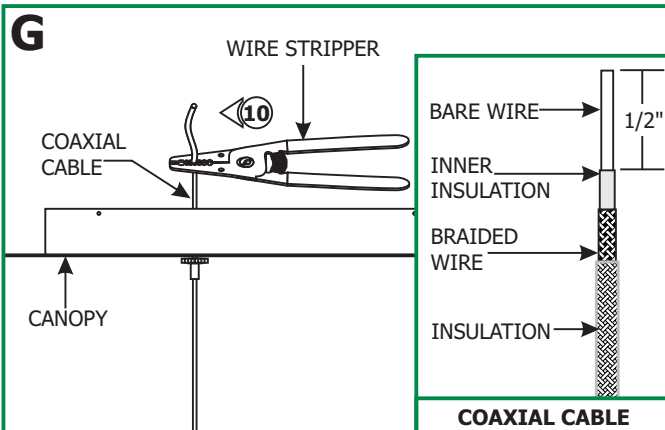
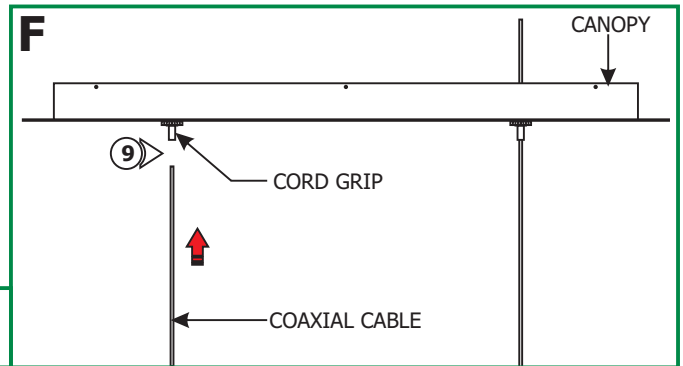
- 6:** Feed the 120VAC power wires through the mounting plate knockout.
- 7:** Secure the mounting plate to the junction box and anchors using #8-32 screws.

## Install the Fixture



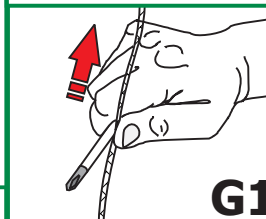
- 8:** Determine the fixture height (H), from the bottom of the channel to the top of the canopy.

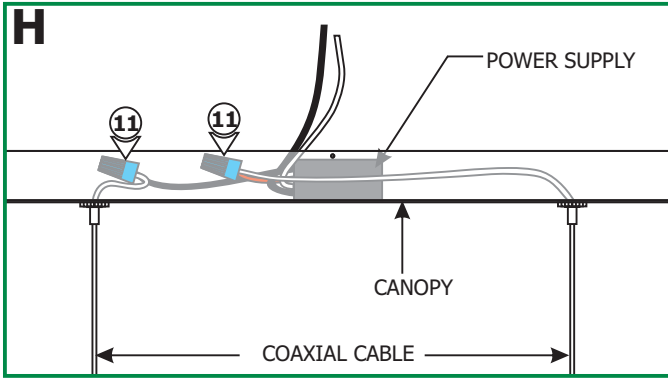
- 9:** Push each coaxial cable through each cord grip inside the canopy. Push the tab on the cord grip to release the cord.



- 10:** Use the #16 gauge hole of the AWG wire strippers to strip 1/2" of the insulation along with braided wire and inner wire insulation.

**NOTE:** If cable is curled or kinked, straighten by holding between the shaft of a screwdriver and thumb and pulling the cable through (see inset **G1**)



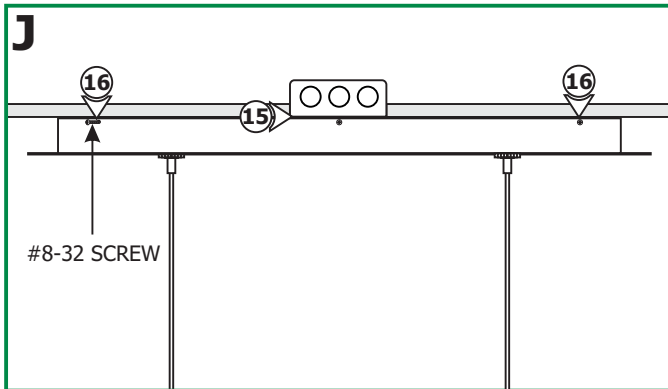
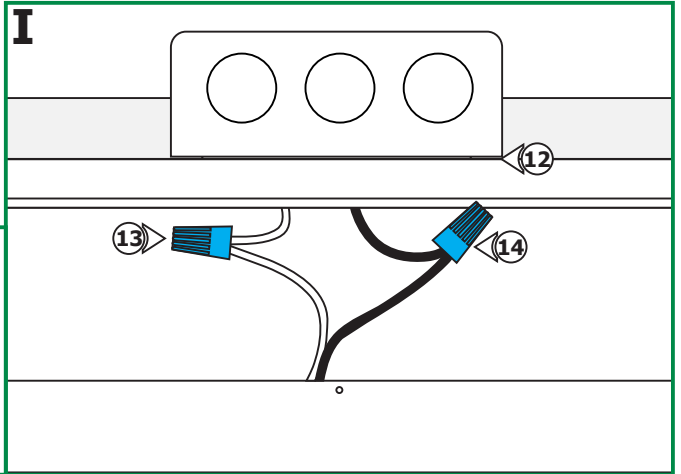


**11:** Connect the bare wire from the +24VDC coaxial cable to the red transformer wire using a wire nut. Connect the bare wire from the -24VDC coaxial cable to the black transformer wire using a wire nut.

**12:** Make sure the mounting plate is grounded in accordance with local electrical codes.

**13:** Connect the white transformer wire to the neutral power wire with a wire nut.

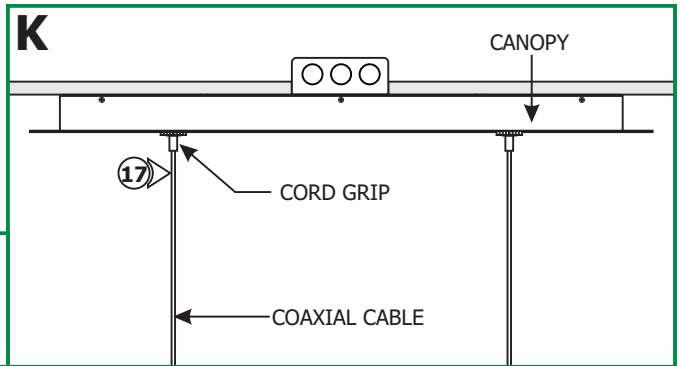
**14:** Connect the black transformer wire to the hot power wire with a wire nut.



**15:** Place all the wires and wire nut connections inside the canopy.

**16:** Align and secure the canopy to the mounting plate by tightening the six #8-32 screws.

**17:** To make any adjustments to the fixture height, push the tabs on the cord grip to slide the fixture up and down until the desired height is achieved. Release the tab to lock the coaxial cable in place.



**GENERAL WIRING DIAGRAM**

