



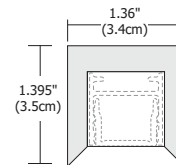
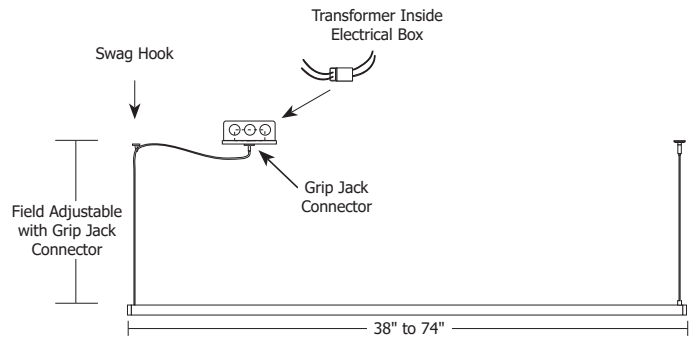
CIRRUS FLOAT STICK - END FEED, 120V/24VAC FIXTURE - 92 CRI

REV.12.13.17

DESIGNED BY GREGORY KAY | MADE IN USA



CF-ST-E_-27K-WN



Description:

The Cirrus Float Stick - End Feed features a direct 1" lens with 100 degree beam spread and five wood finish options. At 7 watts per foot, the 24 volt AC suspension contains very warm white 2700K or warm white 3000K 92CRI LEDs and is available in nominal lengths from 38 inches up to 74 inches. The Cirrus Float includes square canopy and feeds power at the end from a 24 VAC Class 2 electronic low voltage LED transformer (included), which fits inside a standard 4" electrical box with round plaster ring and is dimmable with an electronic low voltage dimmer. The adjustable (up to 12 feet) aircraft and power cables allow for mounting at any ceiling angle up to 45 degrees. A Swag Hook is also available to extend the cable to an electrical box that is not located directly above desired fixture location. All cables have a Satin Nickel finish. Fixture is covered by a 5 year warranty.



WM Wood Maple, WN Wood Walnut, WC Wood Cherry, WO Wood White Oak, WE Wood Espresso

Finish:

Wood Maple, Wood Walnut, Wood Cherry, Wood White Oak, and Wood Espresso

Applications:

Indoor - Architectural lighting, general lighting and retail

Lamp:

Version	Watts per Foot	Lumens per Watt	per Foot	92CRI 27K, 30K	50,000 Hour Lamp Life
Stick End Feed	7	34	241	●	●

Lumen values are based on the 3000K LED test.

Power Supply:

120V input, 24VAC Class 2 output; electronic low voltage LED transformer (included) that fits inside standard junction box

Dimming:

Dimmable with electronic low voltage dimmer. Lutron: Diva DVELV-300P; Skylark SELV-300P dimmers recommended

Channel Suspension Swag Hook (sold separately):

Swag Hook, CS-SWAG, extends a cable to an electrical box that is not located directly above desired fixture location.



Wood Cherry



System: **CF** - Lens: **ST** - Power Feed: **E** - Nominal Length in Inches: **72IN** - Color Temperature: **27K** - Finish: **WM**

CF Cirrus Float, ST Stick, E End Feed

Nominal Length in Inches: 36 38" 60 62" 48 50" 72 74"

Color Temperature: 27K 2700K Very Warm White, 30K 3000K Warm White

Finish: WM Wood Maple, WN Wood Walnut, WC Wood Cherry, WO Wood White Oak, WE Wood Espresso

PROJECT		FIXTURE TYPE		DATE	
---------	--	--------------	--	------	--



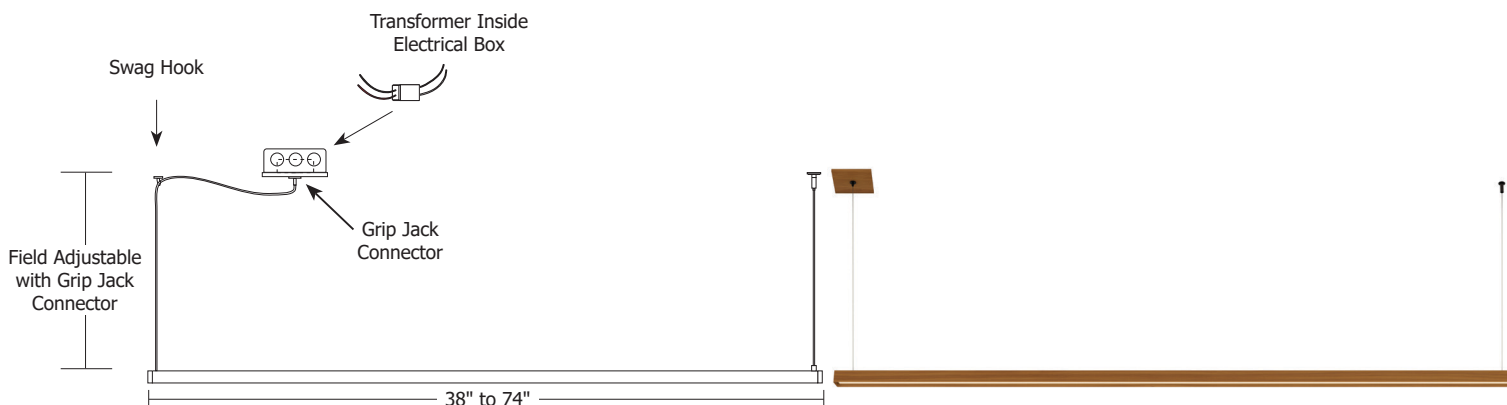
CIRRUS FLOAT STICK - END FEED, 120V/24VAC FIXTURE - 92 CRI

REV.12.13.17

DESIGNED BY GREGORY KAY | MADE IN USA

Actual Size: See below for actual lengths for wood and metal channels.

CIRRUS FLOAT STICK - END FEED ACTUAL SIZE	
Ordering code (Nominal Size)	Wood channel Overall Length (Inches)
39	39.9
48	49.5
60	61.5
72	73.5

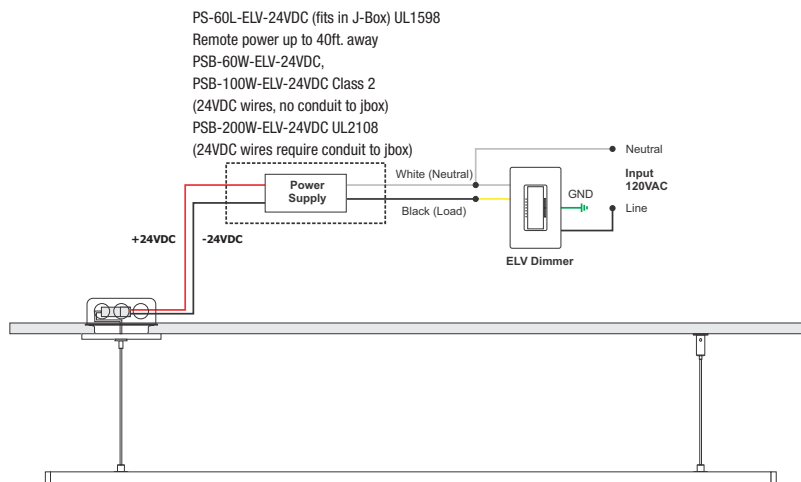


Wiring Diagram: Wiring Diagram for Static White with ELV Dimmer

Application: ELV dimming for Cirrus Suspension Downlight, End Feed Canopy, Static White

Dimming: Dimmable with ELV dimmer: Legrand, Adorne ADTP703TU
Lutron: Diva DVELV-300P and Skylark SELVz-300P dimmers recommended

Remote Power Supplies: Class 2: 24VDC output; 120VAC input. PS-60L-ELV-24VDC (fits in J-box); PSB-60W-ELV-24VDC; PSB-100W-ELV-24VDC; PSB-200W-ELV-24VDC UL2108



PROJECT		FIXTURE TYPE		DATE	
---------	--	--------------	--	------	--

CIRRUS FLOAT STICK - END FEED, 120V/24VAC FIXTURE - 92 CRI

REV.12.13.17

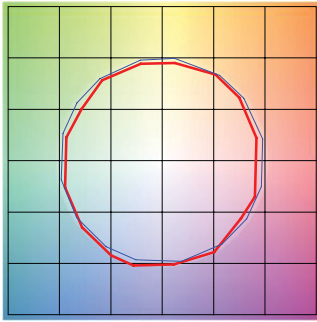
DESIGNED BY GREGORY KAY | MADE IN USA

TM 30-15

TM-30-15 DATA: The data below is for SS2C, SS5C, SS7C, and SS10C bare LED Soft Strips. Consistent color temperatures throughout a single strip and among multiple strips is possible through a 3 phase binning process in which each order is inspected with a color meter to ensure uniformity.

2700K | Rf: 87.7 | Rg: 96.1

COLOR VECTOR GRAPHIC

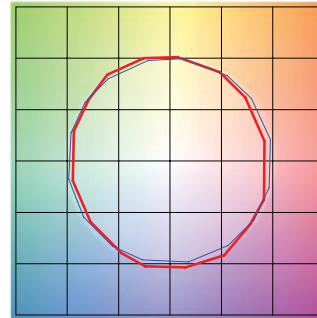


■ Test ■ Reference

		GRAPHIC SHIFTS %	
HUE BIN	Rf	CHROMA	HUE
1	86.4	-5.6%	2.3%
2	89.7	-3.3%	3.1%
3	90.5	-1.5%	3.8%
4	90.0	-4.3%	1.1%
5	92.9	-3.7%	0.2%
6	93.5	-2.5%	-0.8%
7	86.3	-7.2%	2.5%
8	90.7	-4.0%	3.2%
9	85.2	-2.4%	8.1%
10	81.7	0.9%	10.8%
11	85.4	4.5%	8.9%
12	88.7	5.7%	-1.4%
13	88.3	1.3%	-7.9%
14	85.1	2.4%	-10.4%
15	88.1	-4.8%	-2.7%
16	81.7	-4.3%	-10.9%

3000K | Rf: 88.1 | Rg: 99.7

COLOR VECTOR GRAPHIC



■ Test ■ Reference

		GRAPHIC SHIFTS %	
HUE BIN	Rf	CHROMA	HUE
1	87.7	-5.9%	-0.3%
2	87.9	-4.4%	4.3%
3	82.9	-1.2%	7.9%
4	89.9	0.6%	4.7%
5	92.7	3.0%	3.5%
6	92.7	3.6%	-1.7%
7	90.8	-1.3%	-4.4%
8	93.7	-2.5%	-2.2%
9	91.7	-3.7%	2.3%
10	85.5	-2.8%	7.8%
11	83.3	0.7%	11.0%
12	86.4	5.5%	3.8%
13	90.6	4.6%	-3.6%
14	85.6	5.9%	-8.4%
15	89.5	-0.6%	-5.7%
16	82.6	-2.7%	-12.0%

PROJECT		FIXTURE TYPE		DATE	
---------	--	--------------	--	------	--