



Installation Instructions For TruLine 1.6A Inside Corner and Outside Corner Channel Connector

1718 W. Fullerton Ave
Chicago, IL 60614
Tel: 773-770-1196
Fax: 773-883-6128
www.purelighting.com
info@purelighting.com

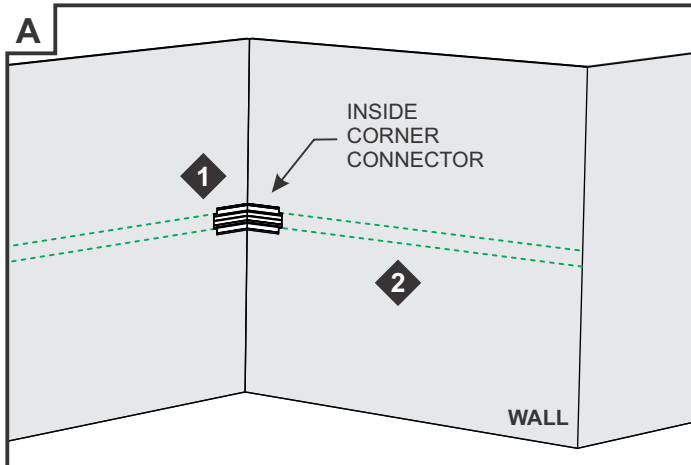
© 2017 Pure Lighting. All Rights Reserved.

IMPORTANT INFORMATION

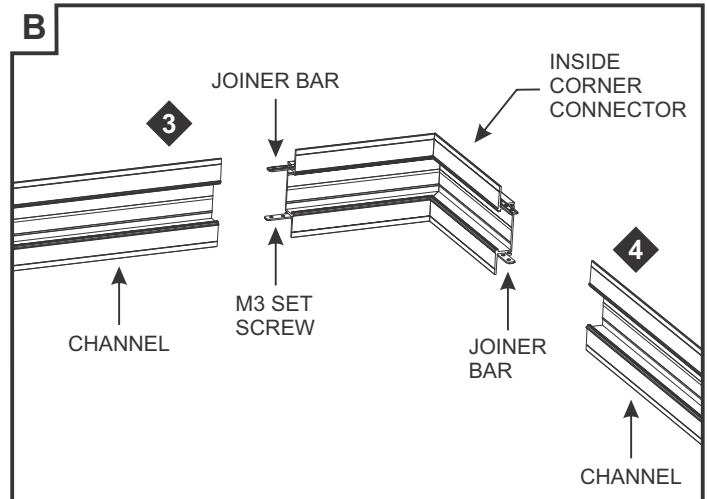
- This instruction must be used concurrently with other TruLine 1.6A DIY installation instructions.
- This product is wall or ceiling mount.
- This instruction shows a typical installation.

SAVE THESE INSTRUCTIONS!

Install the Inside Corner Channel Connector

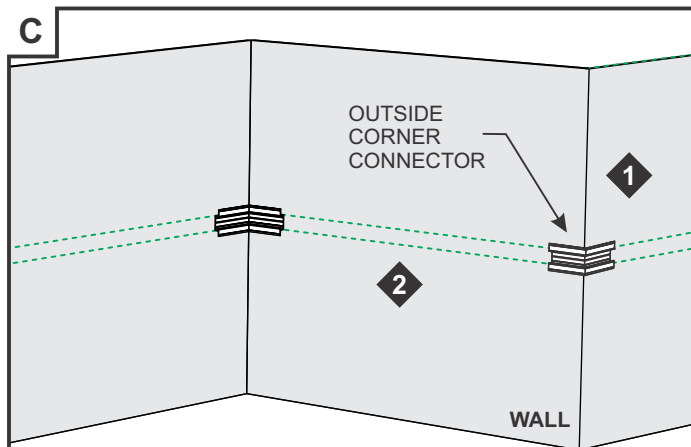


- 1: Place the Inside Corner Connector against a corner. Ensure the Inside Corner Connector is aligned with the TruLine Channel installation location.
- 2: Mark the installation location of the Inside Corner Connector on the drywall using a pencil or chalk line before cutting.

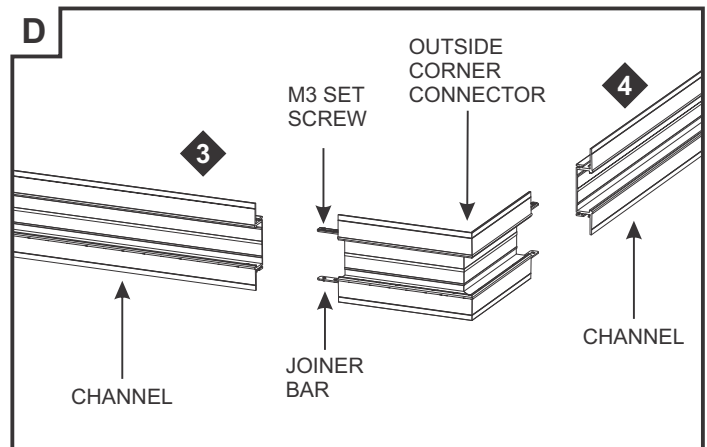


- 3: Slide the TruLine 1.6A channel into the joiner bars of the Inside Corner Channel Connector. Tighten the two M3 set screws on each joiner bar with a 1.5mm Allen wrench.
- 4: Repeat step 3 for the other end of the Inside Corner Channel Connector.

Install the Outside Corner Channel Connector



- 1: Place the Outside Corner Connector against a corner. Ensure the Outside Corner Connector is aligned with the TruLine Channel installation location.
- 2: Mark the installation location of the Outside Corner Connector on the drywall using a pencil or chalk line before cutting.



- 3: Slide the TruLine 1.6A channel into the joiner bars of the Outside Corner Channel Connector. Tighten the two M3 set screws on each joiner bar with a 1.5mm Allen wrench.
- 4: Repeat step 3 for the other end of the Outside Corner Channel Connector.

