



1718 W. Fullerton Chicago, IL 60614  
 Ph: 773.770.1195 • Fax: 773.935.5613  
 www.PureEdgeLighting.com • info@PureEdgeLighting.com  
 © 2016 PureEdge Lighting. All Rights Reserved.

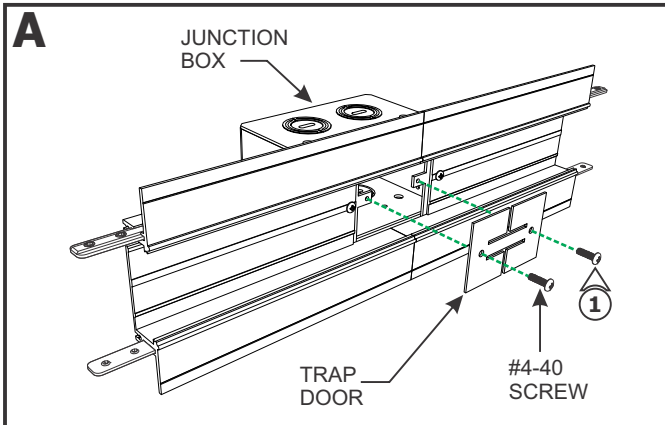
## Installation Instructions for TruLine 1.6A Center Feed Power Channel Connector

### IMPORTANT INFORMATION

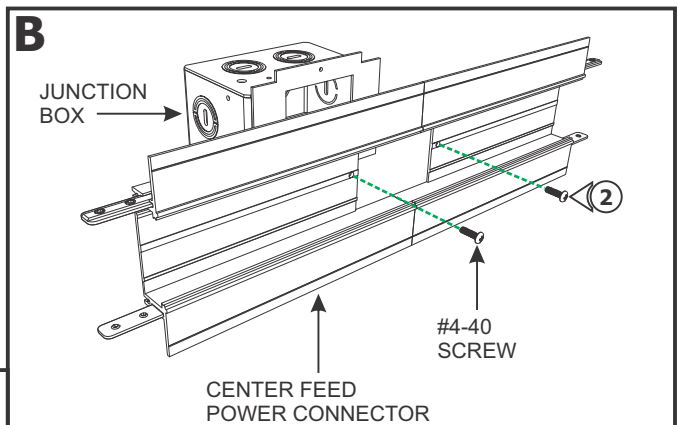
- This instruction must be used concurrently with other TruLine 1.6A BIY installation instructions.
- This product is wall or ceiling mount.
- This instruction shows a typical installation.

**SAVE THESE INSTRUCTIONS!**

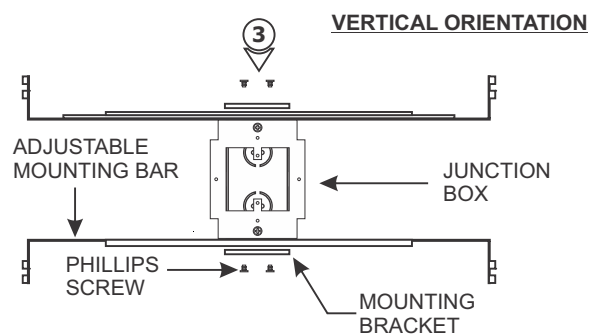
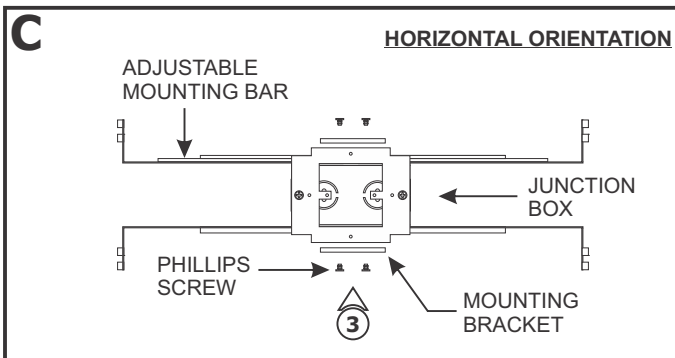
### Section One: Install the Junction Box



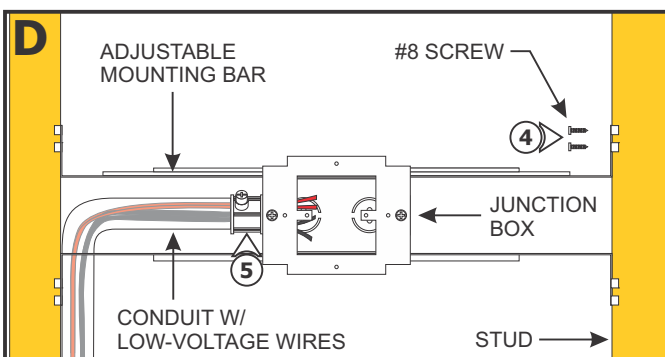
- 1: Remove the two #4-40 screw from the junction box to remove the trap door from the assembly.



- 2: Remove the two #4-40 screws from the junction box to remove the Center Feed Power Connector assembly.



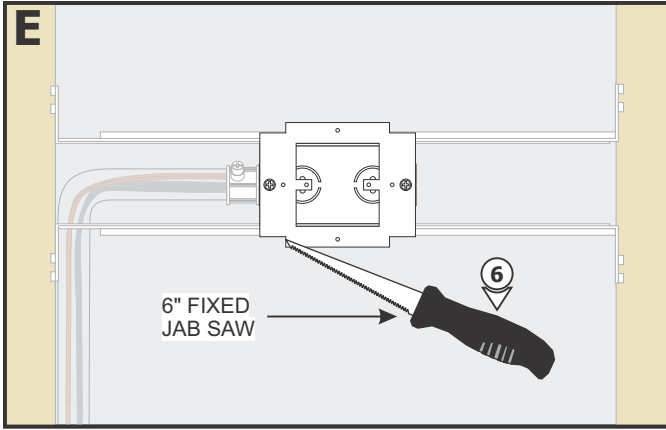
- 3: Mount each adjustable mounting bar to one side of the junction box and secure them with the mounting brackets and two Phillips screws provided.



**NOTE:** The adjustable mounting bars mount to studs that are spaced 13" to 24" apart.

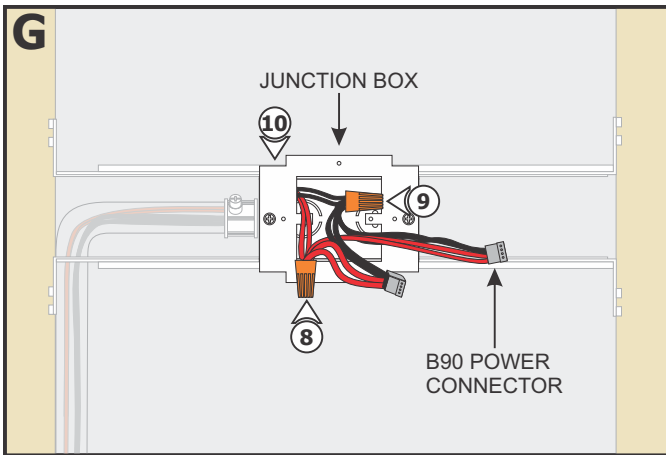
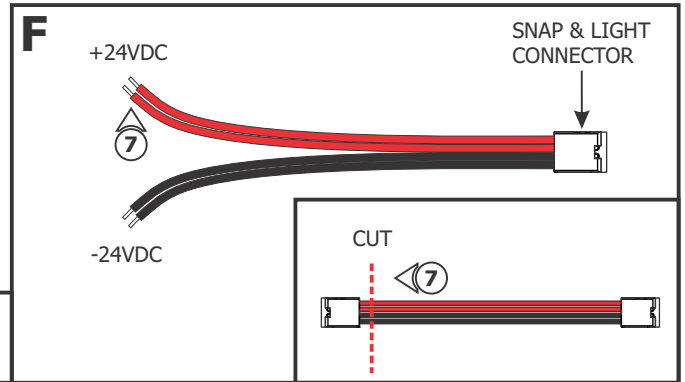
- 4: Place the lips on the adjustable mounting bars against the studs. Secure the adjustable bars to the studs with the #8 screws.

- 5: Install conduit(s) (if required by local electrical code) and run low voltage wires to the junction box.



**6:** Cut a section of drywall using a 6" fixed jab saw or other appropriate tool to expose the mounting plate area.

**7:** If using the Snap & Light connector (LC-SLC) with standard Soft Strip, cut the end of each power cord and discard the unused connector. Strip the ends of the wires.



**NOTE:** Remote power supply wires must be present in junction box. Refer to instructions provided with power supply.

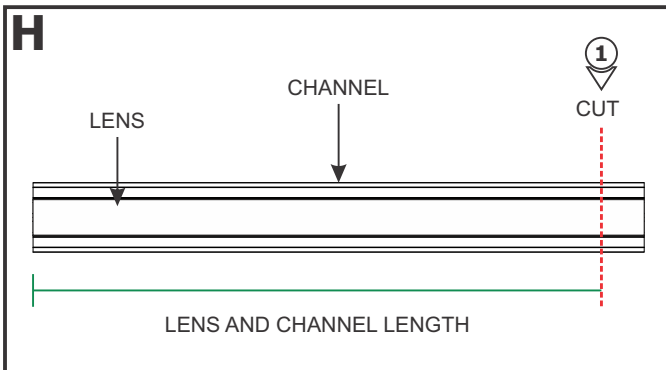
**8:** Connect the red low voltage wire of the power supply to the red wires of either the B90 connector or Snap & Light connector with a wire nut.

**9:** Connect the black low voltage wires of the power supply to the black wires of the same connector with a wire nut.

**10:** Place all wire nut connections inside the junction box.

**CAUTION:** Unroll the entire LED strip from the reel and use the power connector to power the strip making sure there is no outage before continuing with the installation. Afterwards, carefully roll the LED strip loosely back into the reel.

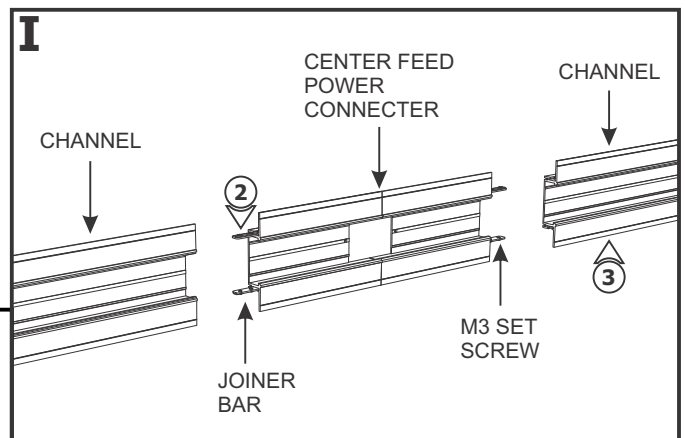
## Section Two: Prepare and Install the Center Feed Power Connector

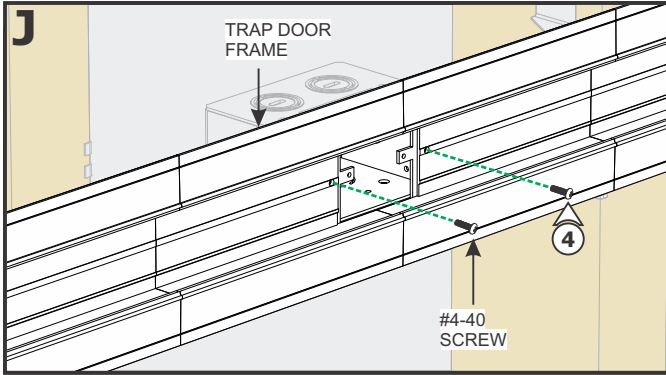


**1:** Refer to Section One in the TruLine 1.6A Channel and Lens instructions to measure and cut the channel and lens before continuing.

**2:** Slide a channel onto the joiner bars and tighten the remaining M3 set screws with a 1.5mm Allen wrench.

**3:** Repeat step 2 for the other end of the Center Feed Power Channel Connector.

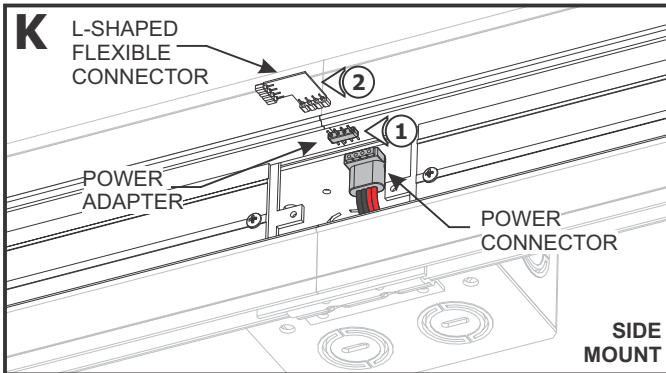




**4:** Attach the assembled trap door frame to the junction box using the #4-40 screws.

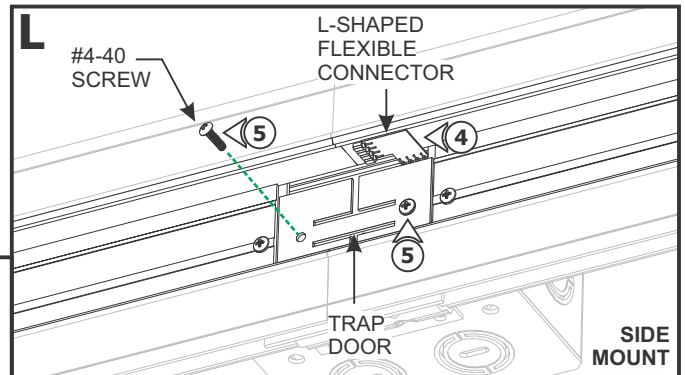
**NOTE:** Refer to Section Three in the TruLine 1.6A Channel and Lens instructions to plaster before continuing.

### Section Three: Install the LED Soft Strip with B90 Connectors



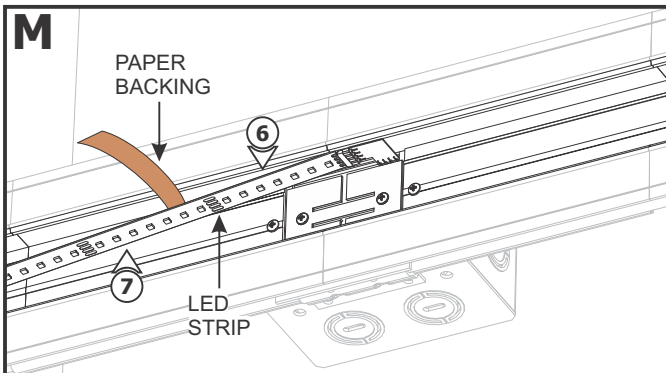
**NOTE:** Omit this section if using the Snap & Light connector (LC-SLC) with Standard Soft Strip. Refer to Section Four.

- 1: Insert the male-to-male power adapter to each power connector.
- 2: Connect the L-Shaped Flexible Power Connectors to each male-to-male power adapter.
- 3: Repeat steps 1 and 2 for additional power connectors.



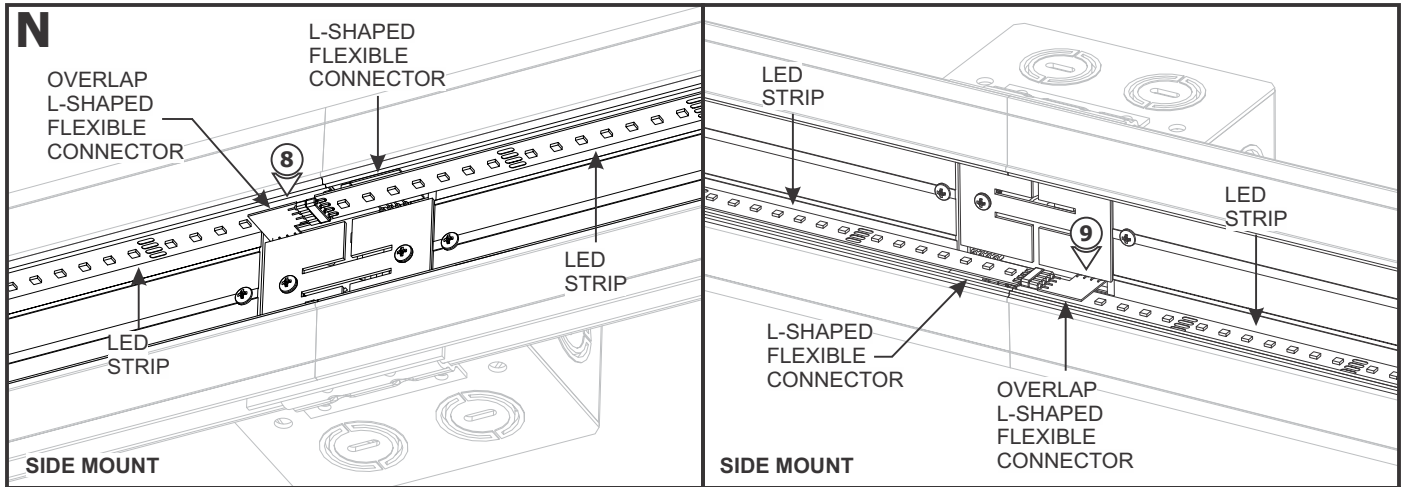
**4:** Place each assembled power connection into the channel where the LED Soft Strip will be installed.

**5:** Replace the trap doors and secure using the #4-40 screws.



**6:** Carefully remove the backing from the LED strip, making sure not to remove the tape from the LED strip. Line up the red wire side of the power connector with the "+24VDC" marking on the LED strip. Push the male connector of the LED strip into the L-Shaped Flexible Power Connector.

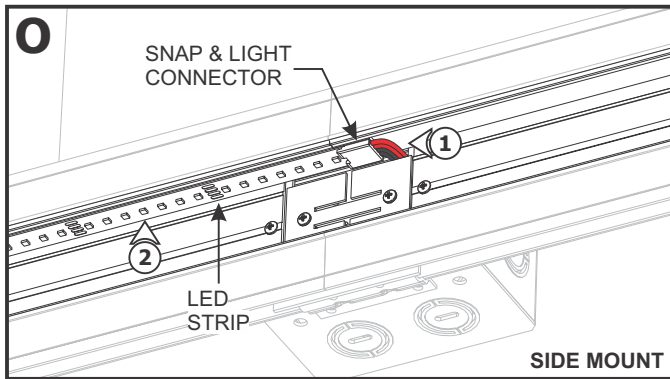
**7:** Firmly press down the adhesive portion of the LED strip onto the side mount channel surface while removing the rest of the backing, making sure there are no air bubbles that can cause surface irregularities.



**8:** On the same side of the channel, the second Flexible Connector should overlap the first LED strip and Flexible Connector.

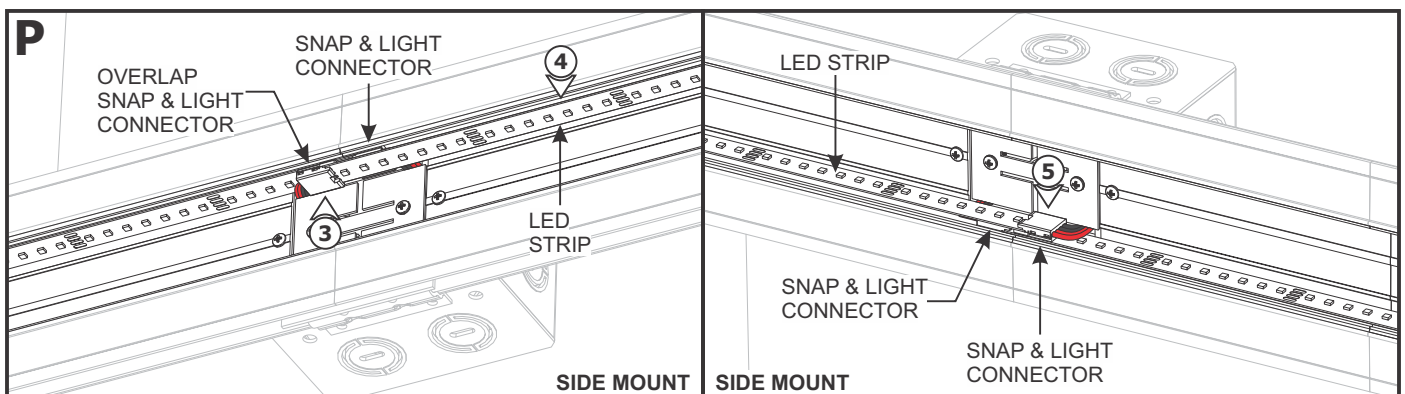
**9:** Repeat steps 6 through 8 for the other LED strips on the other side of the channel. Ensure that the overlapped Flexible Connectors on both sides of the channel are on opposite corners from each other to avoid dark spots.

### Section Four: Install the Standard LED Soft Strip with Solderless Snap & Light Connector (LC-SLC)



**1:** Place the Snap & Light connector into the channel where the LED soft strip will be installed.

**2:** Insert the LED strip into the Snap & Light connector so that the "+24VDC" mark on the strip is aligned with the red wires. Ensure the LED strip contacts align fully with the contact pins. Push the LED strip completely into the contact pins.

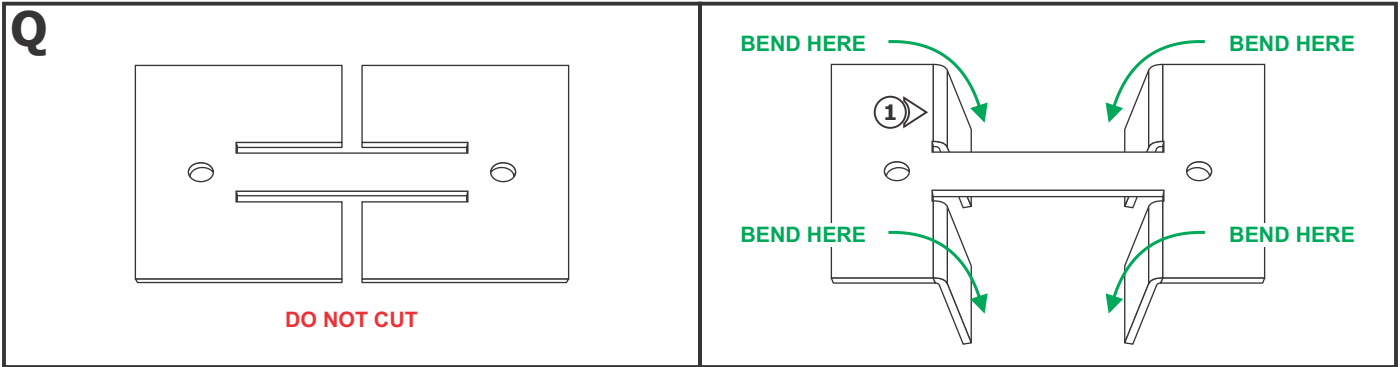


**3:** On the same side of the channel, the second Snap & Light connector should overlap the first LED strip and Snap & Light connector.

**4:** Firmly press down the adhesive portion of the LED strip onto the side mount channel surface while removing the rest of the backing, making sure there are no air bubbles that can cause surface irregularities.

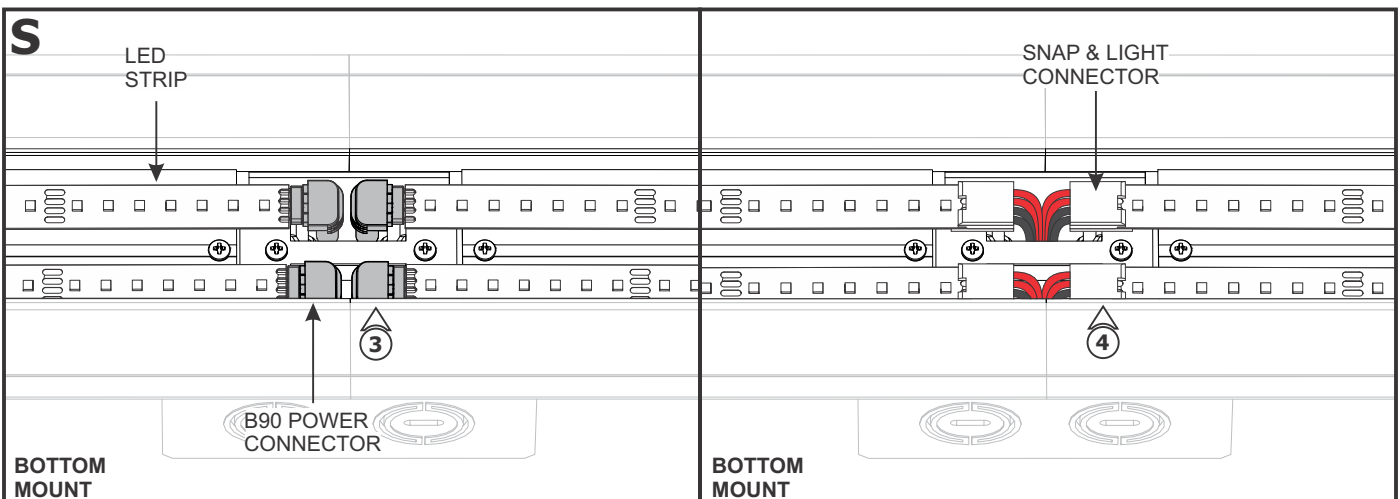
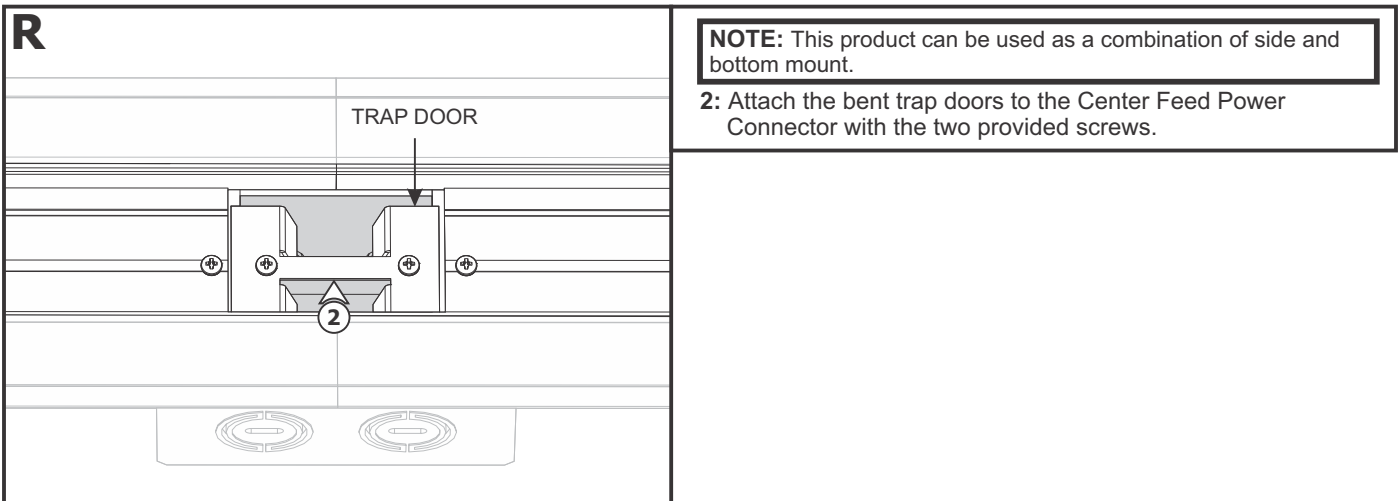
**5:** Repeat steps 1 through 4 for the other LED strips on the other side of the channel. Ensure that the overlapped Snap & Light Connectors on both sides of the channel are on opposite corners from each other to avoid dark spots.

## Section Five: Install LED Soft Strip on the Bottom of Channel



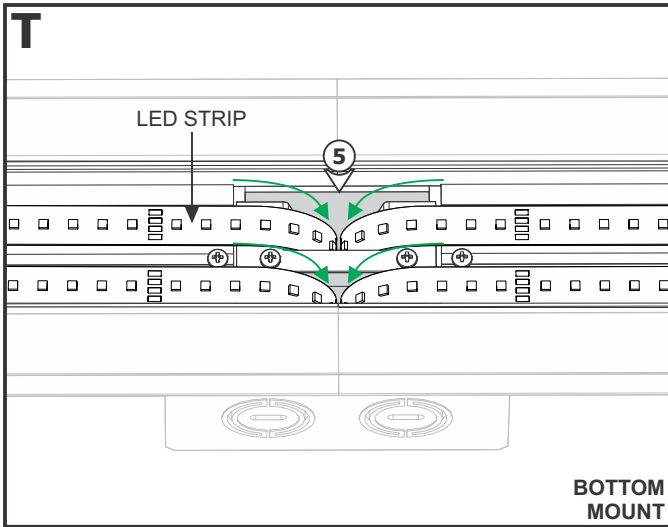
**NOTE:** Do not cut the trap door.

1: Use pliers to bend the large section of the trap door cover to allow for access to power connections.



3: If using the B90 connectors, line up the red wire side of the power connector with the "+24VDC" marking on the LED strip. Push the male connector of the LED strip into the female connector of the power connector. Repeat for the other LED strips.

4: If using Snap & Light connectors, insert the LED strip into the Snap & Light connector so that the "+24VDC" mark on the strip is aligned with the red wires. Ensure the LED strip contacts align fully with the contact pins. Push the LED strip completely into the contact pins. Repeat for the other LED strips.

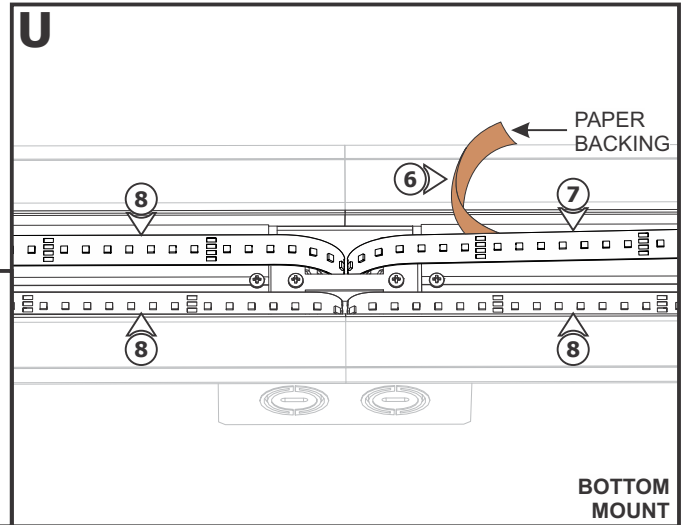


5: Place all connections inside the junction box to avoid dark spots.

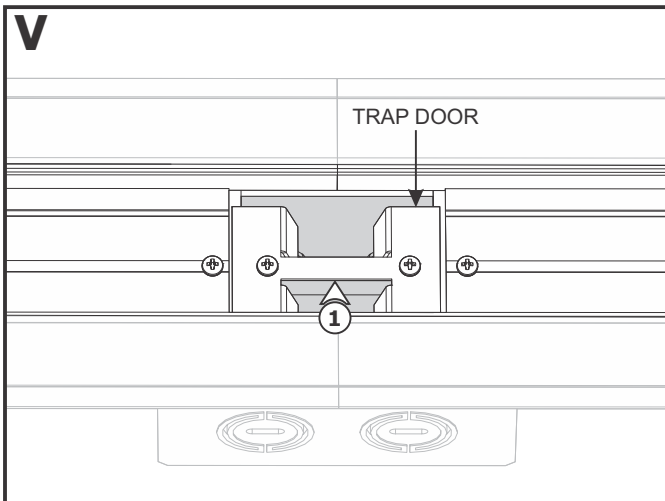
6: Carefully remove the backing from the LED strip, making sure not to remove the tape from the strip.

7: Firmly press down the adhesive portion of the LED strip onto the channel surface while removing the rest of the backing, making sure there are no air bubbles that can cause surface irregularities.

8: Repeat steps 6 and 7 for each LED strip.



## Section Six: Alternate LED Soft Strip Installation on Bottom of Channel



1: Attach the bent trap doors to the Center Feed Power Connector with the two provided screws.

2: Route excess LED strips from other power feeds into the junction box.

