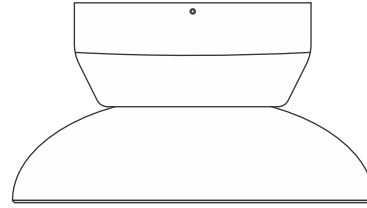


Installation Instructions for Bol LED

IMPORTANT INFORMATION

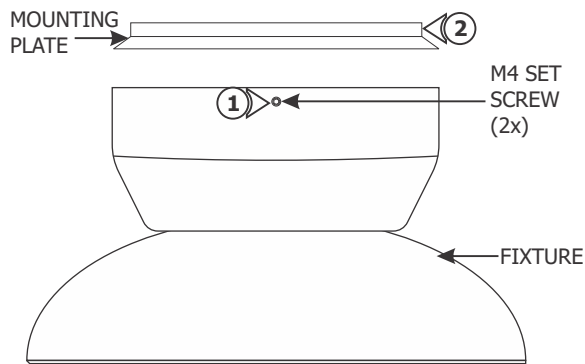
- This product is ETL listed for indoor dry locations.
- This product is ceiling-mount only.
- This product can be dimmed with an electronic low voltage dimmer.

SAVE THESE INSTRUCTIONS!



Install the Mounting Plate and Housing

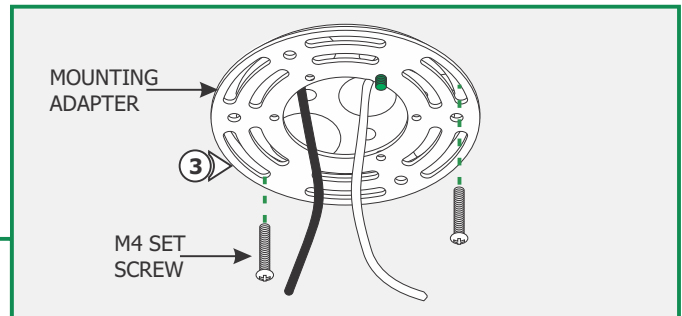
A



NOTE: Before beginning any electrical work, ensure that power to the junction box is turned **OFF**.

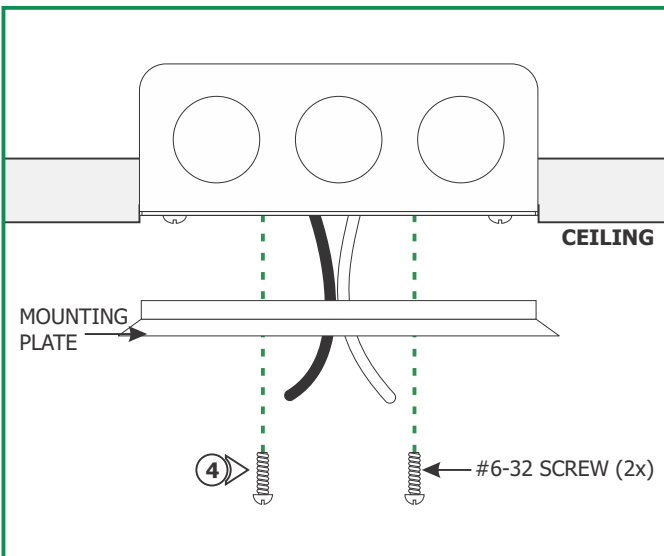
1: Loosen the M4 set screws using a 2mm Allen wrench.

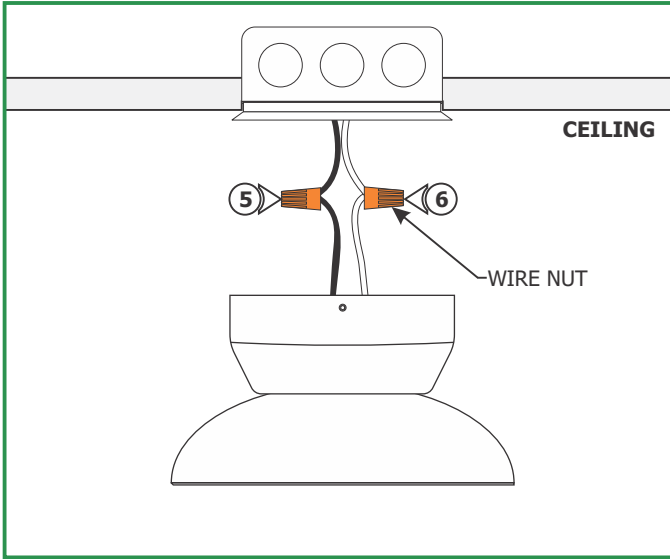
2: Remove the mounting plate from the fixture.



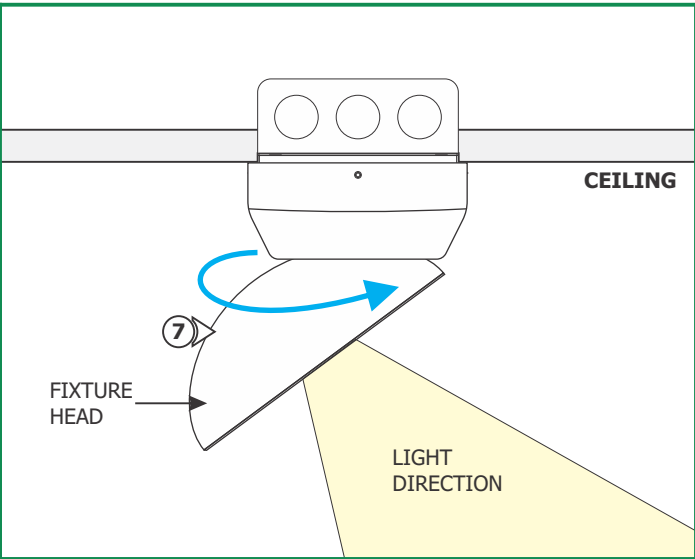
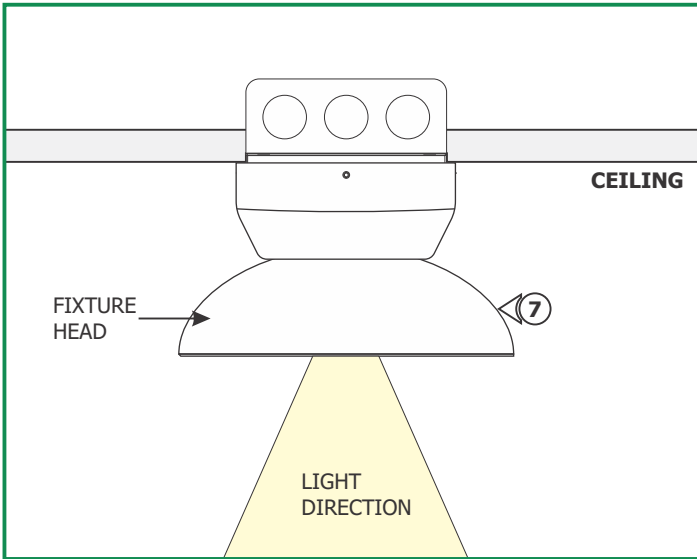
3: If required, secure the mounting adapter to the electrical box holes with the two #8-32 screws provided.

4: Feed the power wires through the center hole of the mounting plate and secure the plate to the mounting adapter using supplied 6-32 screws.

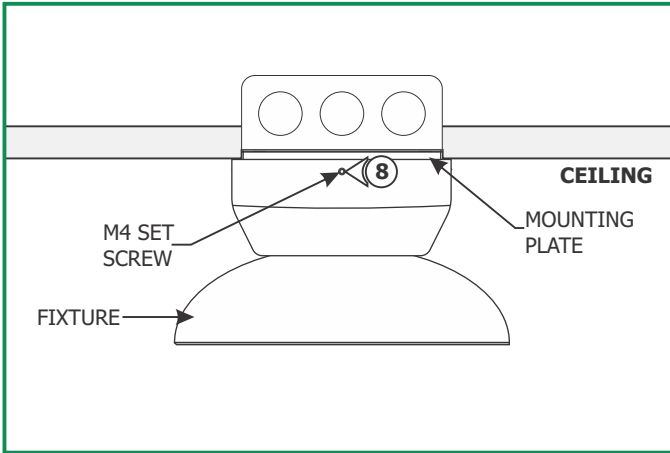




- 5:** Connect the black 120VAC HOT wire to the black wire from the fixture power supply using a wire nut.
- 6:** Connect the white 120VAC NEU wire to the white wire from the fixture power supply using a wire nut.



- 7:** Rotate the fixture head (maximum 35°) until the desired light direction is achieved.



- NOTE:** Contains integrated LED consuming a total of 15 Watts
- 8:** Place the fixture to the mounting plate and secure by tightening the M4 set screws using a 2mm Allen wrench.