

Installation Instructions for **Bubble Ball 3 Light Suspension LED**

IMPORTANT INFORMATION

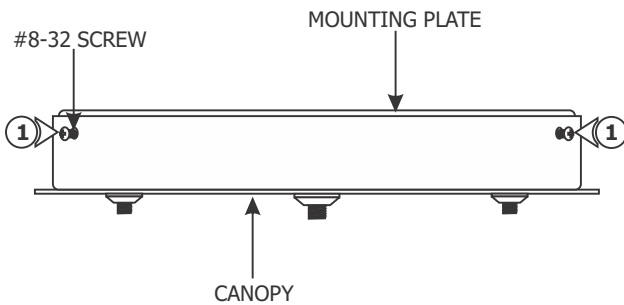
- This instruction shows a typical installation.
- This product is ETL listed for indoor dry locations.

SAVE THESE INSTRUCTIONS!



Install the Canopy

A

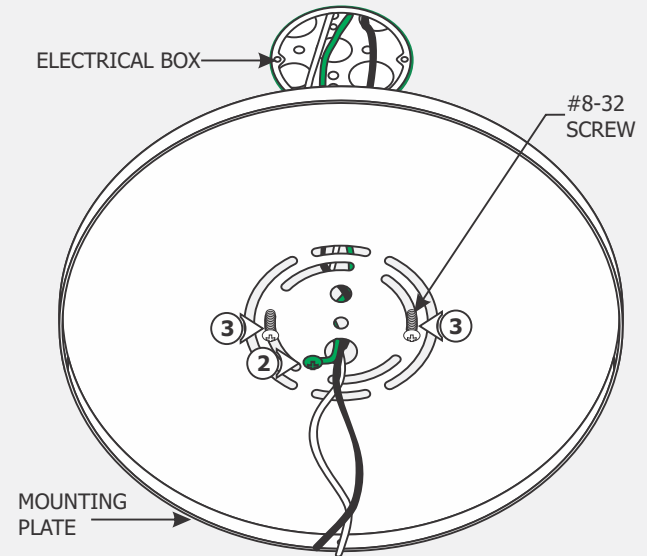


- 1:** Loosen and remove the three #8-32 screws from the canopy to remove the mounting plate.

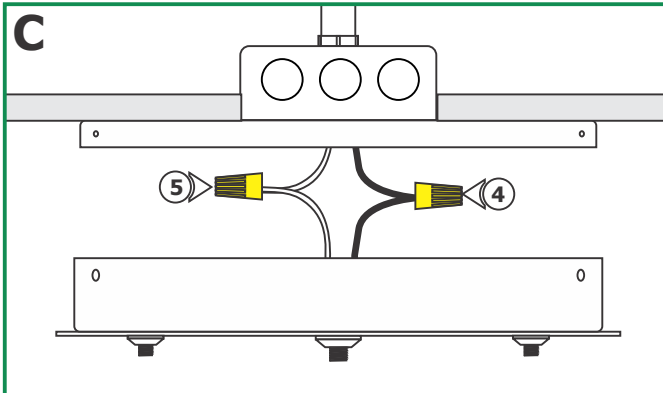
- 2:** Make sure the mounting plate is grounded in accordance with local electrical codes.

- 3:** Mount the mounting plate to the electrical box with the two #8-32 screws provided.

B



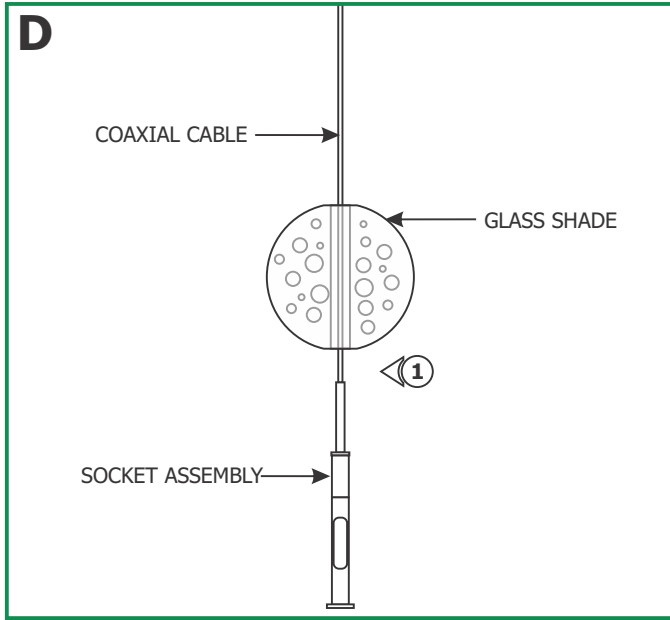
C



- 4:** Connect the white fixture wire to the neutral power wire with a wire nut.

- 5:** Connect the black fixture wire to the hot power wire with a wire nut.

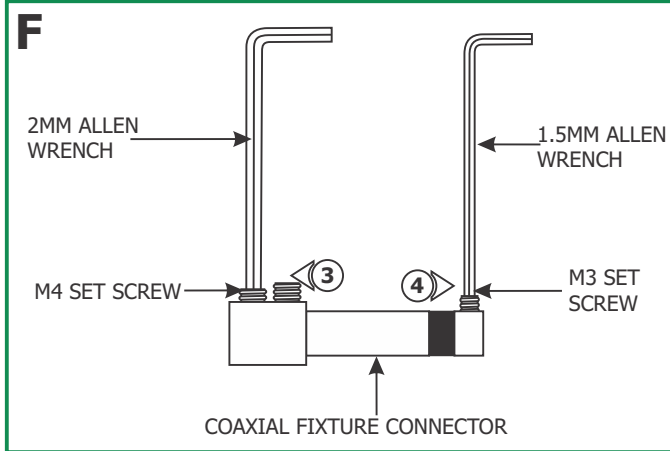
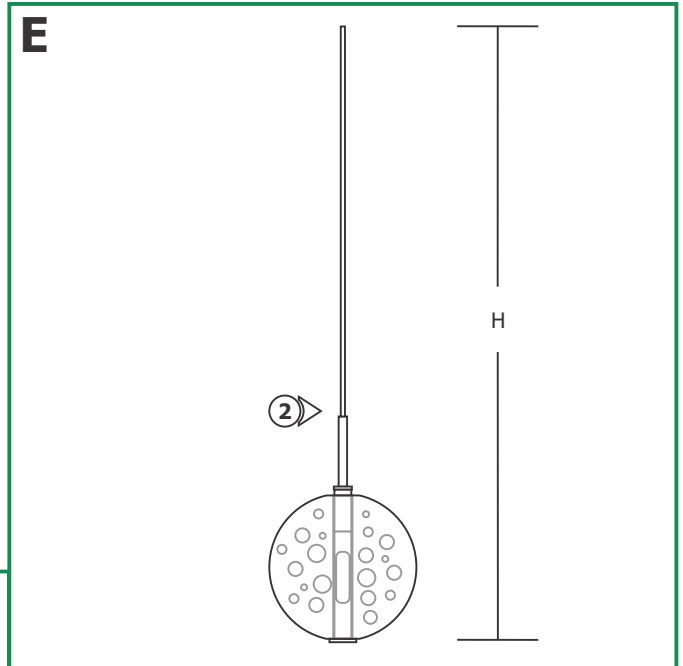
Installing Fixture on Canopy



1: Feed the coaxial cable through the glass shade, and rest the glass shade over the socket assembly.

NOTE: Do not loosen or otherwise modify the power cable set screw. This will cause damage to the fixture.

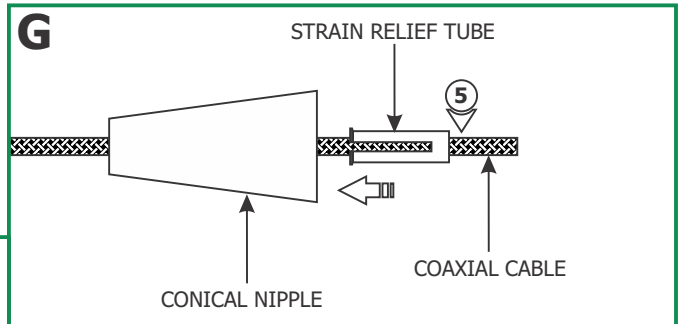
2: Cut the coaxial cable to the desired height (H) with a sharp cutter. The overall fixture height is measured from the bottom of the glass shade to the end of the coaxial cable.

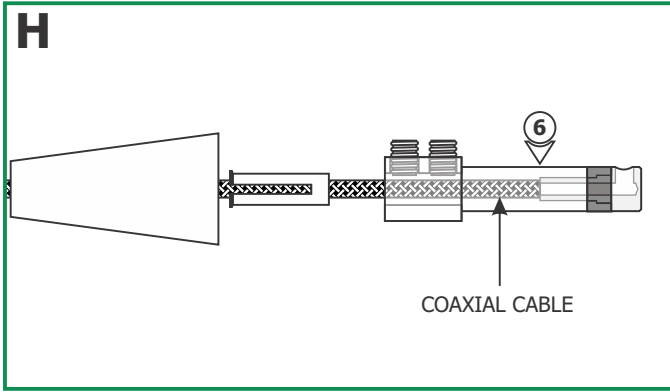


3: Loosen the two M4 set screw on base of the coaxial fixture connector with the 2mm Allen wrench provided. **Do not remove these set screws.**

4: Remove the M3 set screw on tip of the connector with the 1.5mm Allen wrench provided.

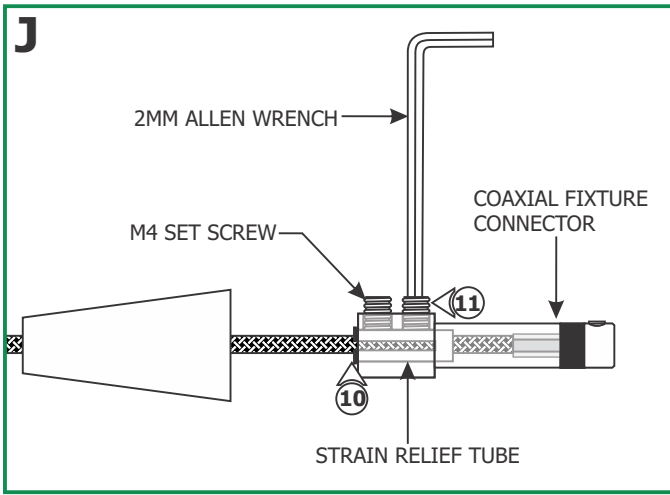
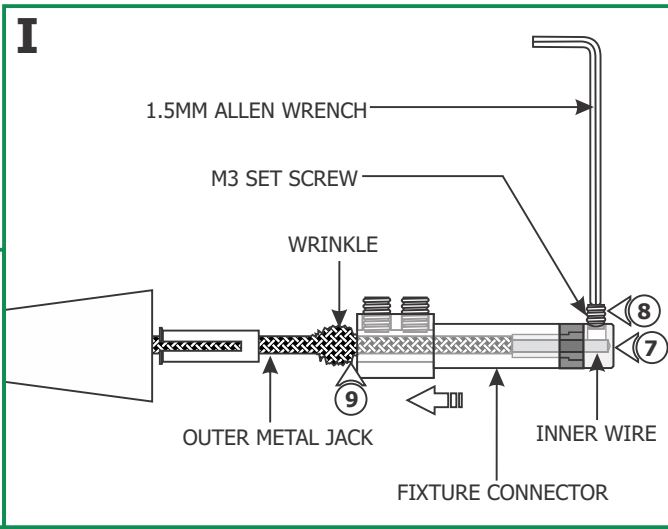
5: Feed the coaxial cable through the conical nipple and flared side of the strain relief tube. Slide the conical nipple and strain relief tube down the coaxial cable.





6: Feed the coaxial cable into the coaxial fixture connector. The coaxial cable will come to a stop point.

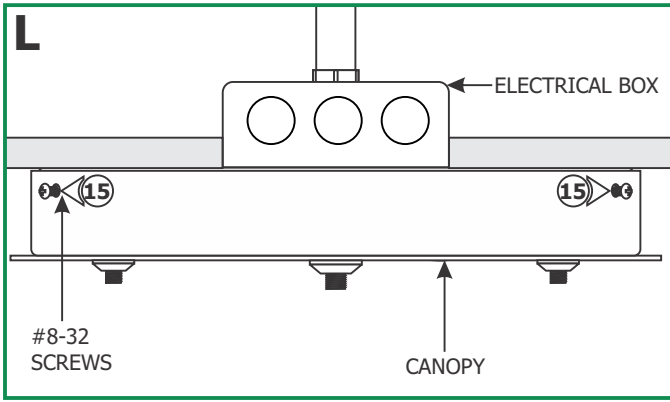
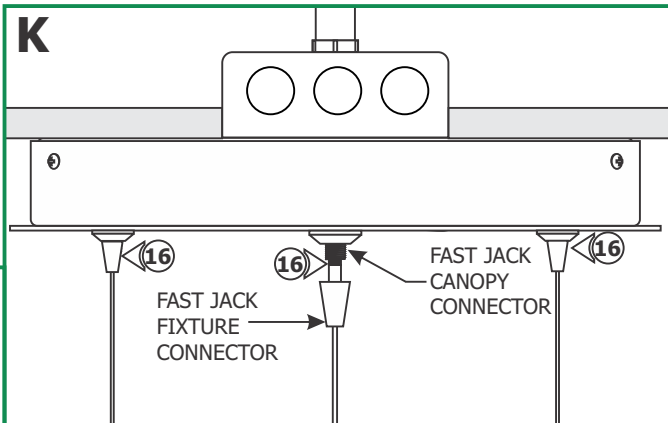
- 7:** Keep feeding the coaxial cable in until the inner wire is visible in the screw hole of the fixture connector tip. The outer metal jacket will start to wrinkle.
- 8:** Hold the fixture connector in place. Replace and tighten the M3 set screw on fixture connector tip with the 1.5mm Allen wrench.
- 9:** Pull down the outer metal jacket to smooth the wrinkles.



- 10:** Push the strain relief tube completely into the coaxial fixture connector. Make sure the slot on the strain relief tube is not inline with the M4 set screw.
- 11:** Tighten the two M4 set screws with the 2mm Allen wrench.

CAUTION: Risk of Fire: MAX load of each Fast Jack canopy connector is **75 watt**.

- 16:** Use fingers to tighten the Fast Jack fixture connector into the Fast Jack canopy connector.



- 14:** Place all the wires and wire nut connections inside the canopy.
- 15:** Align and secure the canopy to the mounting plate by tightening the three #8-32 screws.