

Description: The sleek, curved Bardot Vanity features a milky white diffuser lens that provides uniform, tunable white light without hotspots. At 10 total watts per foot, the 24VDC Vanity contains commercial-grade, 90+ CRI White LEDs ranging from 2000K to 4000K. 4000K LEDs provide bright, white light to boost alertness and energy during the day, while 2000K LEDs cast the soft amber glow of sunset to complement skin tones. The Soft Strip can be controlled to operate at either 2000K or 4000K, or any color temperature in between. These color temperature options allow greater flexibility to set the mood within an interior space all at the touch of a button. Bardot is available in 12 inch increments up to 120 inches. May be ordered in 3, 5, 8, or 10 inch increments. 4-inch round canopy or slim-profile junction box options are available. The system is powered with compatible 24 volt DC remote located power supplies and can be controlled with a variety of dimmers or controllers (sold separately). Fixture includes a 5 year warranty.

Finish: Satin Aluminum, Satin Nickel, Chrome, Antique Bronze, Satin Black and White

Applications: Indoor Only - Bathroom vanity, architectural lighting, task lighting, general lighting, cove, retail and closets

Lamp:

LED	CRI	Power per Ft (Watts)	Total Output, Lumens per Watt	Total Output, Lumens per Foot	Lamp Life (Hours)	Dimming
Tunable White* 2000K+4000K (3000K)	90+	10W	57	518	50,000	ELV/010/DMX
2000K	90+	5W	47	213	50,000	ELV/010/DMX
4000K	90+	5W	70	327	50,000	ELV/010/DMX

*When both the 2000K & 4000K Soft Strips are on at full power, light output equals 3000K

24VDC Power Supply (sold separately):

PSB-2X60W-ELV-24VDC 120VAC input, 2x60 watt output

PSB-2X100W-ELV-24VDC 120VAC input, 2x96 watt output

PSB-2X96W-010-24VDC 120-277VAC input, 2x96 watt output

PSB-100W-24VDC-RGB 120-277VAC input, 100 watt output

Dimming & Controls: ELV power supplies dim with 2 ELV dimmers: Legrand, Adorne ADTP703TU; Lutron: Diva DVELV-300P, Skylark SELV-300P, Maestro MAELV-600 and Radio Ra 2 (recommended). 010 power supplies use 0-10V dimmer: Philips Sunrise SR1200ZTUNV. RGB power supplies use CDMX1, CDP or CTP controllers.

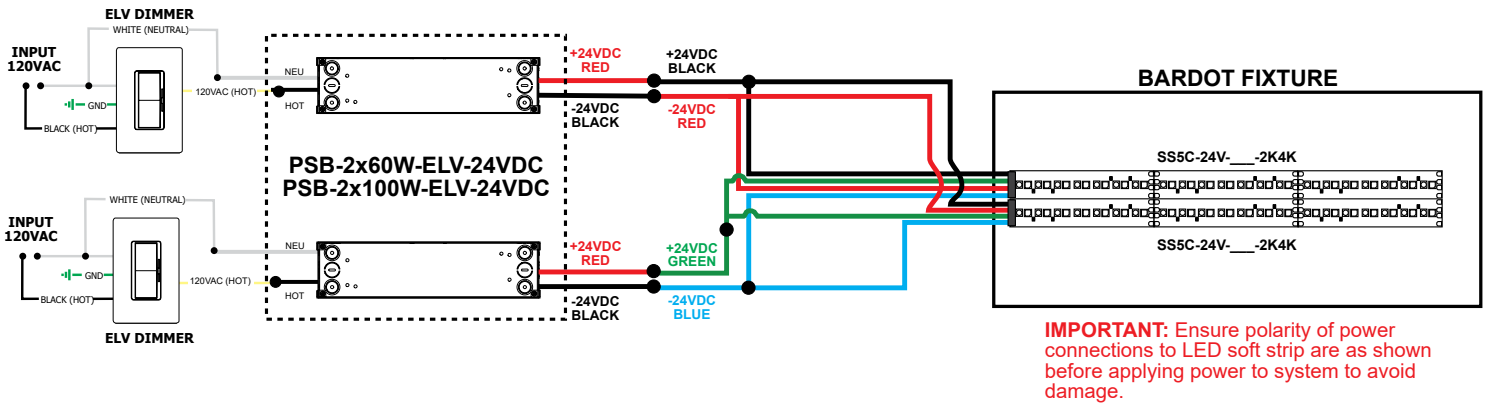
Product	Canopy	Length In Inches	Color Temperature	Finish
BV2	4RD	120IN	2K4K	SA
BV2 Bardot Vanity 24DC	4RD 4" Round 1RE 1" Rectangle with Junction Box	12-120 Order in 12 inch increments up to 120 inches. May be ordered in 3, 5, 8 or 10 inch increments.* Chrome max 84".	2K4K Tunable White 2000K-4000K	SA Satin Aluminum SN Satin Nickel CH Chrome (Max 84") BZ Antique Bronze BK Satin Black WH White

* See page 5 of spec sheet for actual lengths

Application: ELV Dimming with Dual ELV Power Supplies and Individual ELV Dimmers for Bardot Vanity

Power Supply: Remote, Class 2, 24VDC output: 120VAC input, PSB-2X60W-ELV-24VDC or PSB-2X100W-ELV-24VDC

Dimming: Dimmable with Individual ELV Dimmers using power supplies above: Legrand, Adorne ADTP703TU; Lutron: Diva DVELV-300P, Skylark SELV-300P, Maestro MAELV-600 and Radio Ra 2.



PROJECT:

FIXTURE TYPE:

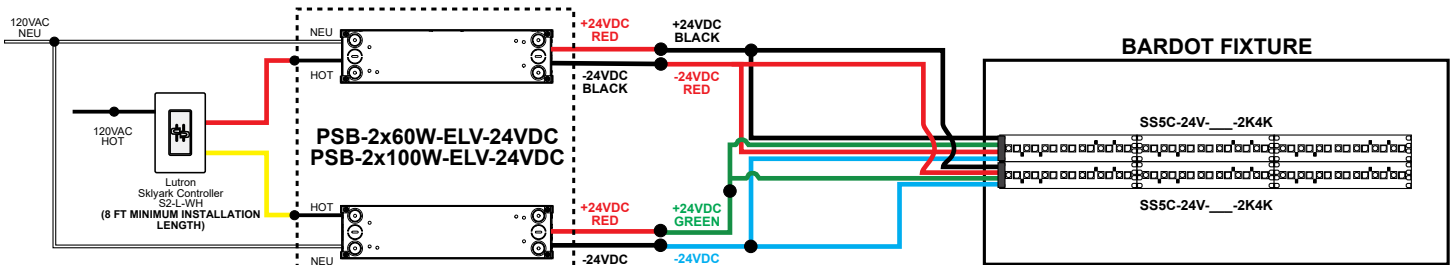
DATE:



Application: ELV Dimming with Dual ELV Power Supplies and Dual ELV Dimmer for Bardot Vanity

Power Supply: Remote, Class 2, 24VDC output: 120VAC input, PSB-2X60W-ELV-24VDC or PSB-2X100W-ELV-24VDC

Dimming: Dimmable with Individual ELV Dimmers using power supplies above: Legrand, Adorne ADTP703TU; Lutron: Diva DVELV-300P, Skylark SELV-300P, Maestro MAELV-600 and Radio Ra 2.



IMPORTANT: Ensure polarity of power connections to LED soft strip are as shown before applying power to system to avoid damage.

PROJECT:

FIXTURE TYPE:

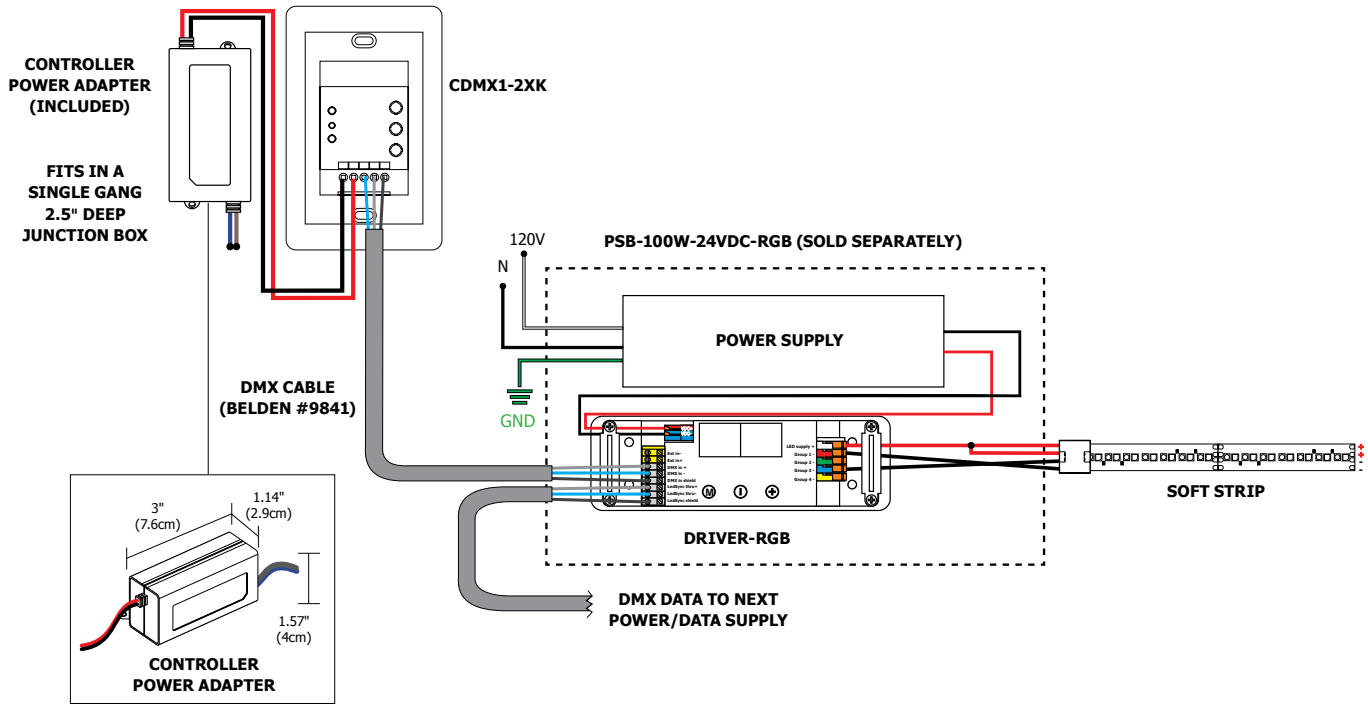
DATE:



Application: DMX Control options for Bardot Vanity

Power Supply: Remote, Class 2, 24VDC output: 120VAC input, PSB-100W-24VDC-RGB

Controls: Integrated RGB Driver receives signals from compatible controller.



PROJECT:

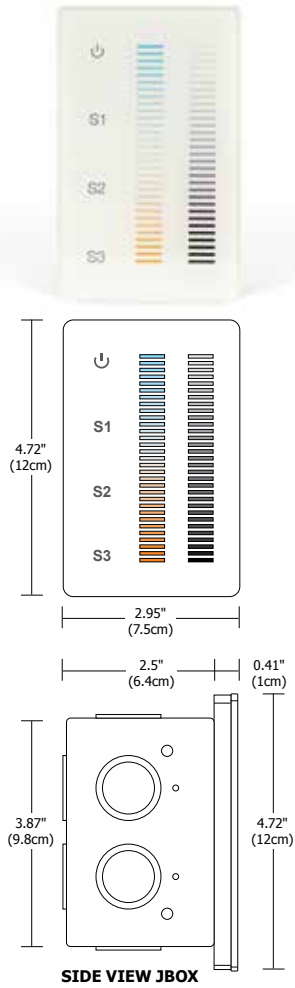
FIXTURE TYPE:

DATE:



TUNABLE WHITE TOUCH CONTROLLER

REV.12.05.16



Description:

The Tunable White Touch Controller is a full-touch controller that offers fast and accurate color temperature adjustment and independent brightness dimming of a single zone. Designed for 2K4K, tunable white and dual-color LED installations, the single zone controller adjusts color temperature and brightness for warm white and cool white LEDs. It also saves 3 preset scenes. Independent smooth dimming of each white, with 256 level brightness adjustment, enables the DMX controller to achieve many colors within the range of the LED spectrum. Controller includes power adapter that fits in junction box behind controller. It contains an illuminated back light when power is off. Must have junction box (not included) with a minimum depth of 2.5 inches and 3.87 inches high.

Applications:

Indoor

Installation:

Fits in a single gang 2.5 inch deep junction box, not to be used with a multi gang box

Power Input:

120-240VAC

Compatible Power Supplies (Sold Separately):

PSB-100W-24VDC-RGB 100W output, 120-277V Input

PSB-2X100W-24VDC-RGB 2x100W output, 120-277V Input

PSB-3X100W-24VDC-RGB 3x100W output, 120-277V Input

PSB-4X100W-24VDC-RGB 4x100W output, 120-277V Input

Output Signal:

USITT DMX 512 (1990)

Product	Type	Finish
CDMX1	2XK	WH
CDMX1 DMX Single Zone Touch Controller	2XK 2-Color	WH White

PROJECT:

FIXTURE
TYPE:

DATE:

EDGE
LIGHTING

REV.12.05.16



Description:

LED power supplies transform and regulate power from a line voltage power source into low voltage power for use with LED lighting. The power supplies accepts input voltage ranging from 120-277 volts AC and outputs 24 volt DC power. The integrated RGB Driver receives signals from the Tunable White Touch Controller (CDMX1) to control RGB color mixing and light intensity.

Applications:

Indoor

Power Input:

120-277VAC, 50/60Hz

Power Output:

- PSB-100W-24VDC-RGB:** Class 2; 24 volts DC 2x4.16A at 100 watts maximum
- PSB-2X100W-24VDC-RGB:** Class 2; 24 volts DC 2x4.16A at 2x100 watts maximum
- PSB-3X100W-24VDC-RGB:** Class 2; 24 volts DC 3x4.16A at 3x100 watts maximum
- PSB-4X100W-24VDC-RGB:** Class 2; 24 volts DC 4x4.16A at 4x100 watts maximum

Dimensions:

- PSB-100W-24VDC-RGB:** 12.14" x 6.5" x 2"
- PSB-2X100W-24VDC-RGB:** 14" x 10" x 3"
- PSB-3X100W-24VDC-RGB:** 17" x 13" x 3"
- PSB-4X100W-24VDC-RGB:** 17" x 13" x 3"

Compatible Controllers:

Tunable White Touch Controller (CDMX1)

Product	Wattage	Voltage	Mode
PSB	100W	24VDC	RGB
<small>PSB Power Supply with Enclosure Box</small>	<small>100W 100 Watt 2x100W 2x100 Watt 3x100W 3x100 Watt 4x100W 4x100 Watt</small>	<small>24VDC 24 Volt DC</small>	<small>RGB Red, Green & Blue</small>

PROJECT:

FIXTURE TYPE:

DATE:



Please refer to chart below for overall length (with end caps) of Bardot Vanity

ORDERING CODE	OVERALL LENGTH (INCHES)
12IN	13.1
15IN	15.5
17IN	17.9
20IN	20.3
22IN	22.7
24IN	25.1
27IN	27.5
29IN	29.9
32IN	32.3
34IN	34.7
36IN	37.1
39IN	39.5
41IN	41.9
44IN	44.3
46IN	46.7
48IN	49.1
51IN	51.5
53IN	53.9
56IN	56.3
58IN	58.7
60IN	61.1
63IN	63.5
65IN	65.9

ORDERING CODE	OVERALL LENGTH (INCHES)
68IN	68.3
70IN	70.7
72IN	73.1
75IN	75.5
77IN	77.9
80IN	80.3
82IN	82.7
84IN	85.1
87IN	87.5
89IN	89.9
92IN	92.3
94IN	94.7
96IN	97.1
99IN	99.5
101IN	101.9
104IN	104.3
106IN	106.7
108IN	109.1
111IN	111.5
113IN	113.9
116IN	116.3
118IN	118.7
120IN	121.1

PROJECT:

FIXTURE TYPE:

DATE:

