



© 2017 Edge Lighting. All Rights Reserved.

1718 W. Fullerton Ave  
Chicago, IL 60614  
Tel: 773-770-1195  
Fax: 773-935-5613  
www.edgelighting.com  
info@edgelighting.com

FJ-BBCL27-\_\_



## Installation Instructions for Fast Jack LED Bubble Pendant

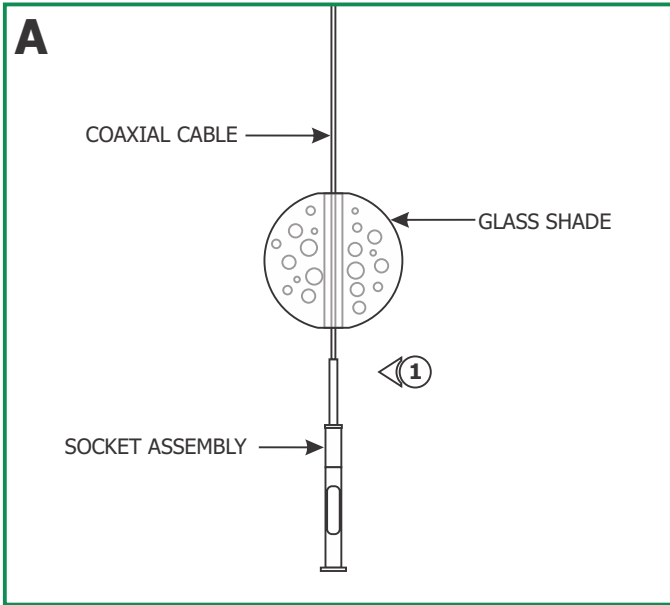
### IMPORTANT INFORMATION

- This instruction shows a typical installation.
- The product is intended to be used with Edge Lighting Monorail systems only.
- This product is ETL listed for indoor dry locations.

**SAVE THESE INSTRUCTIONS!**

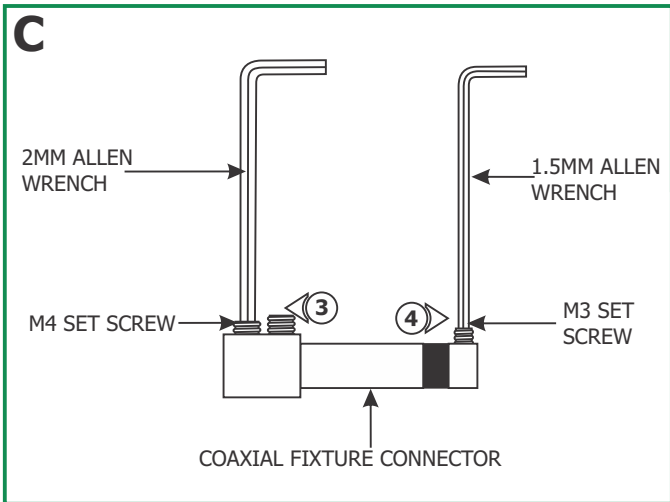
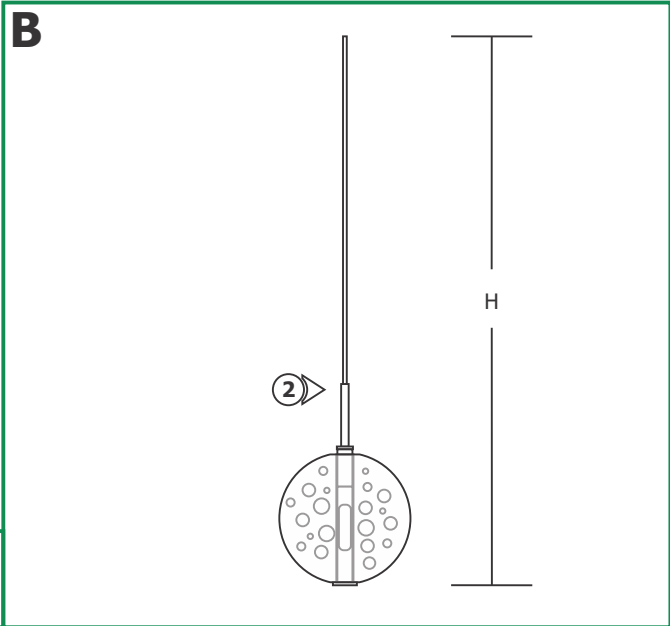


### Adjust the Fixture Height



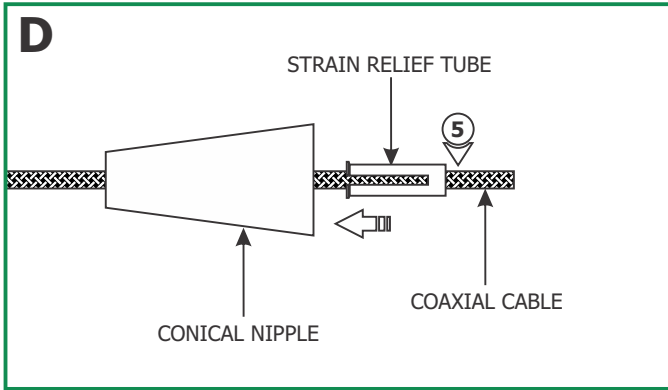
**1:** Feed the coaxial cable through the glass shade, and rest the glass shade over the socket assembly.

**2:** Cut the coaxial cable to the desired height (H) with a sharp cutter. The overall fixture height is measured from the bottom of the glass shade to the end of the coaxial cable.

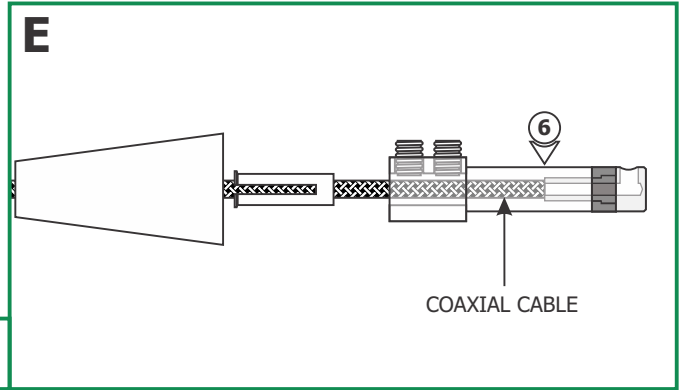


**3:** Loosen the two M4 set screw on base of the coaxial fixture connector with the 2mm Allen wrench provided. **Do not remove these set screws.**

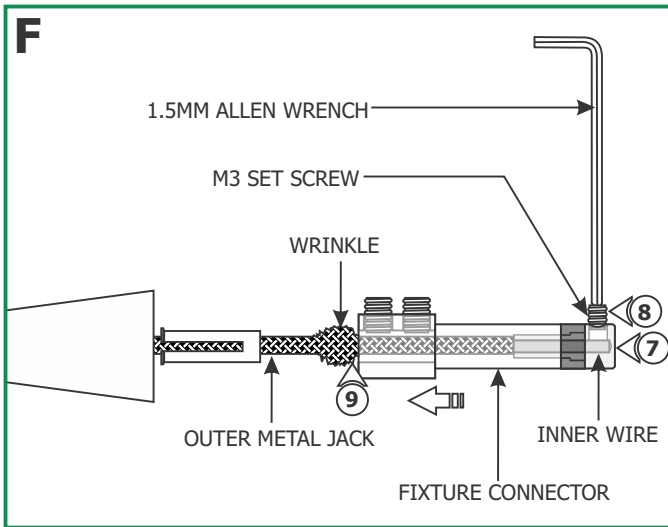
**4:** Remove the M3 set screw on tip of the connector with the 1.5mm Allen wrench provided.



**5:** Feed the coaxial cable through the conical nipple and flared side of the strain relief tube. Slide the conical nipple and strain relief tube down the coaxial cable.



**6:** Feed the coaxial cable into the coaxial fixture connector. The coaxial cable will come to a stop point.



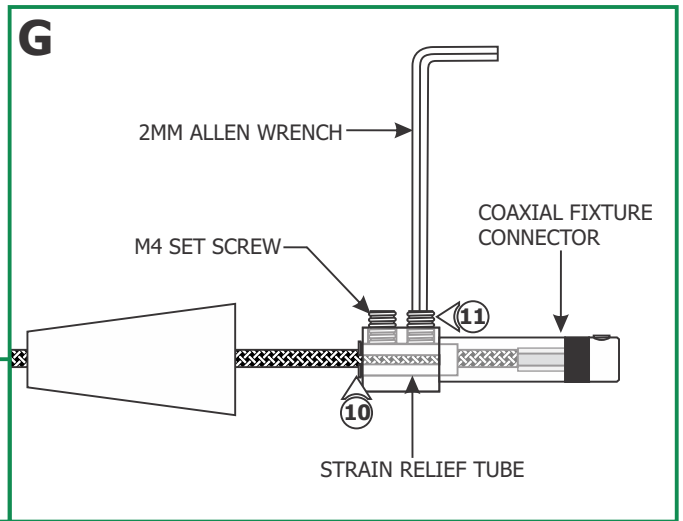
**7:** Keep feeding the coaxial cable in until the inner wire is visible in the screw hole of the fixture connector tip. The outer metal jacket will start to wrinkle.

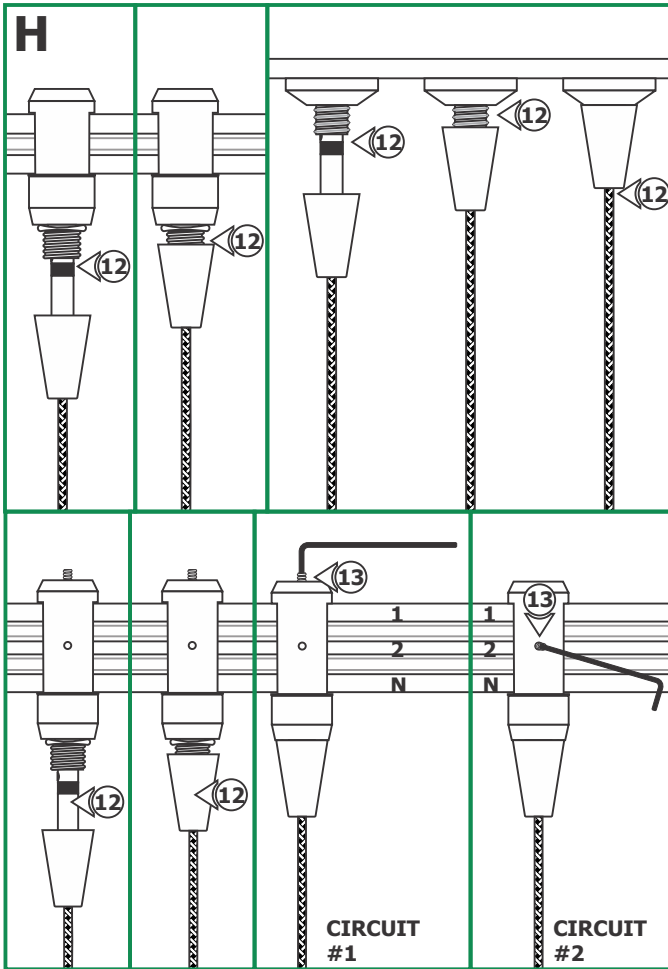
**8:** Hold the fixture connector in place. Replace and tighten the M3 set screw on fixture connector tip with the 1.5mm Allen wrench.

**9:** Pull down the outer metal jacket to smooth the wrinkles.

**10:** Push the strain relief tube completely into the coaxial fixture connector. Make sure the slot on the strain relief tube is not inline with the M4 set screw.

**11:** Tighten the two M4 set screws with the 2mm Allen wrench.

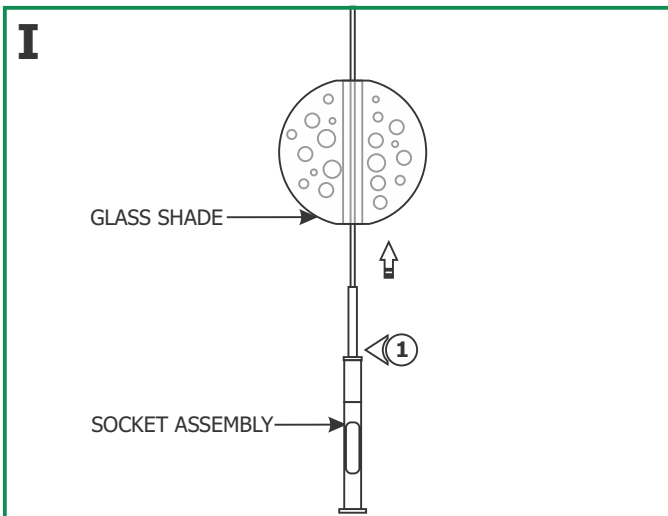




**12:** Use fingers to tighten the Fast Jack fixture connector into the Fast Jack system connector (Monorail, Monorail Wall, Monorail 2 Circuit, or multi-port and mono-point canopies). Refer to the instructions provided with the system connector or canopy).

**13:** Refer to the instructions provided with the Monorail 2 Circuit fixture connector to choose the Circuit #1 or Circuit #2.

## Install the Lamp



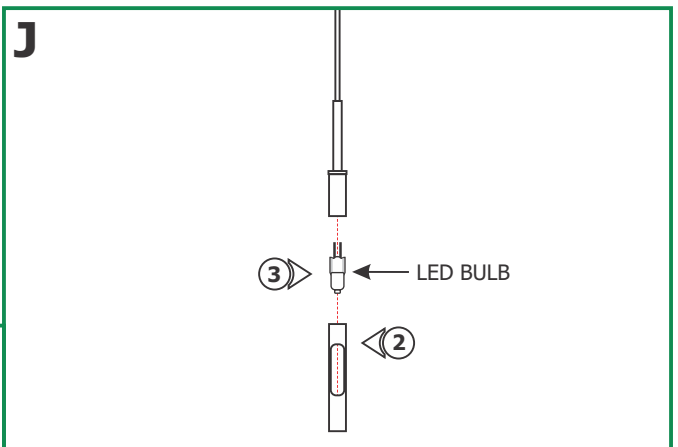
**CAUTION:** To reduce risk of a burn or electrical shock during lamping, disconnect the power to the fixture.

**1:** Lift the glass shade up to expose the socket assembly.

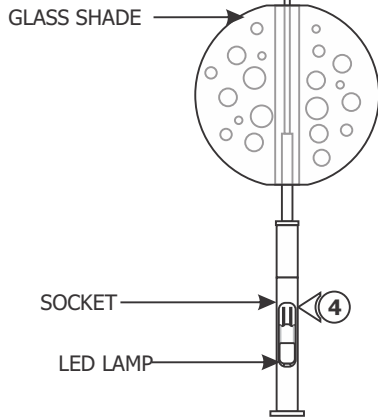
**NOTE:** Do not loosen or otherwise modify the power cable set screw. This will cause damage to the fixture.

**2:** Unscrew the bottom portion of the fixture to attach lamp

**3:** Insert LED bulb into 2-pronged socket, and re-attach the bottom portion of the fixture



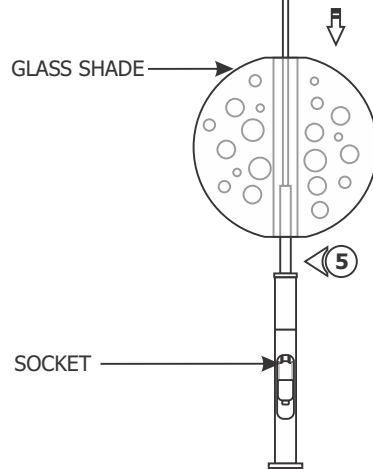
**K**



**CAUTION:** To reduce risk of a burn or electrical shock during lamping, disconnect the power to the fixture.

**4:** Push the lamp pins completely into the socket holes.

**L**



**5:** Carefully lower the glass shade onto the socket assembly.

**NOTE:** Use only a clean damp towel to clean the bubble balls. Do not use any cleaning solutions which may cause the colored bubble balls to get damaged.