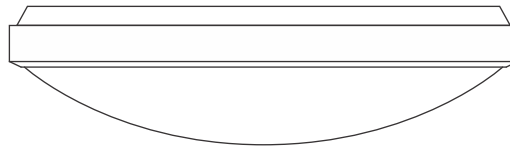


Installation Instructions for Satin Ceiling LED

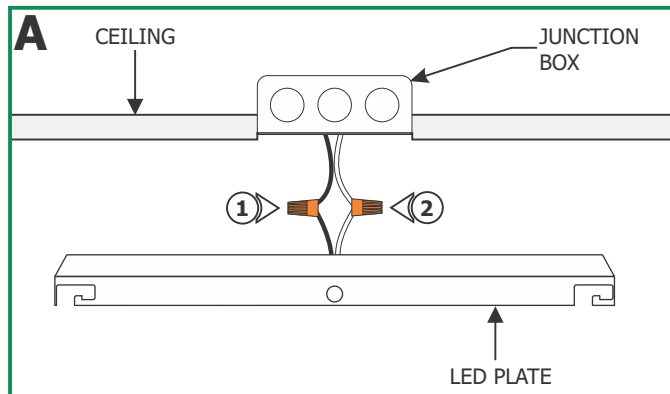
IMPORTANT INFORMATION

- This product is ceiling-mount only.

SAVE THESE INSTRUCTIONS!

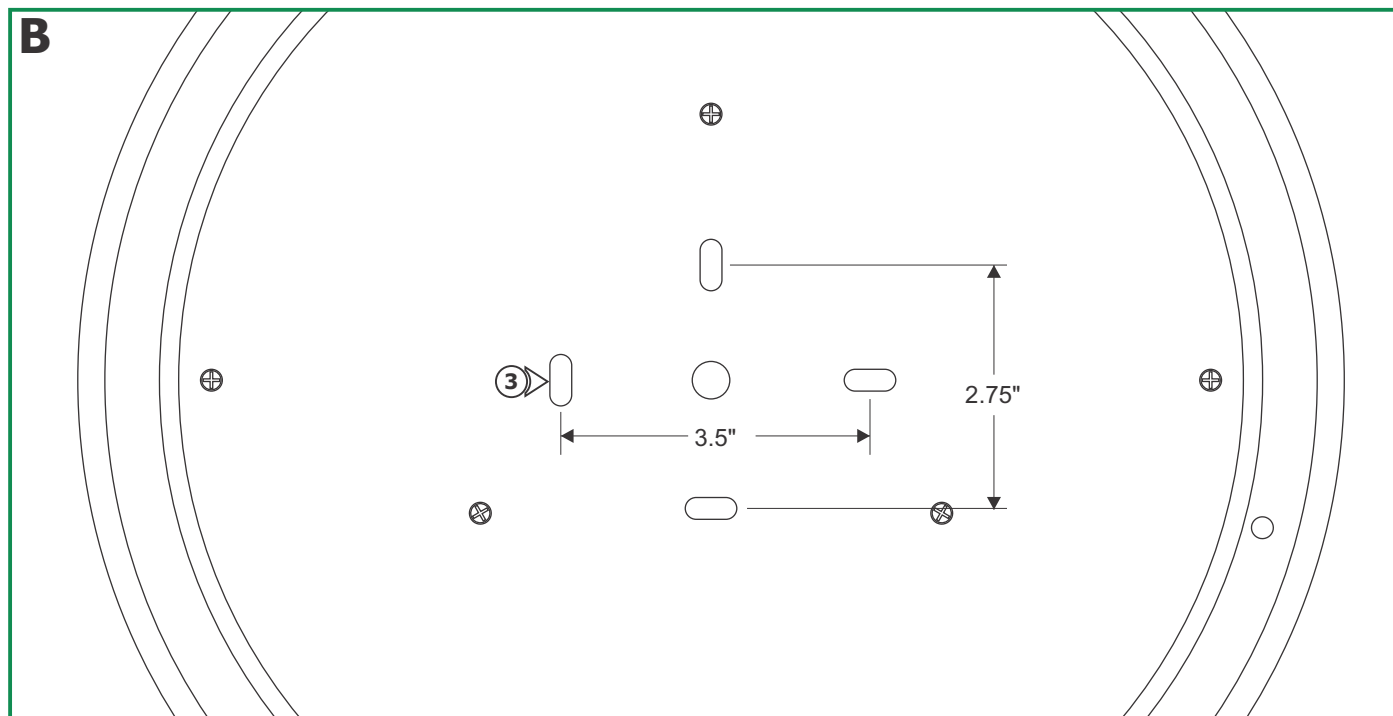


Install the Fixture

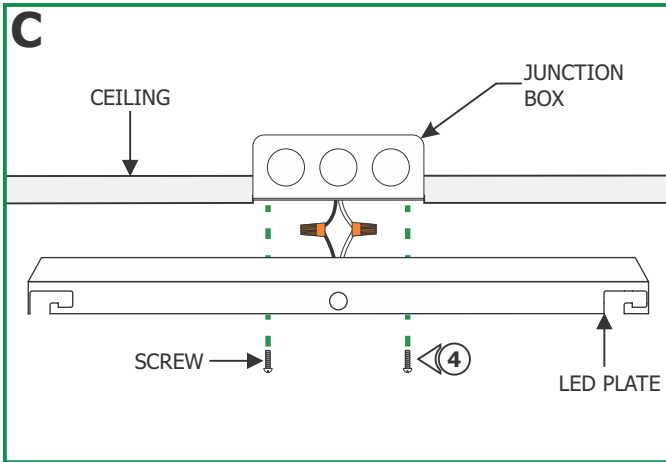


NOTE: Before beginning any electrical work, ensure that power to the junction box is turned **OFF**.

- 1:** Connect the black hot wire to the black wire from the fixture using a wire nut.
- 2:** Connect the white neutral wire to the white wire from the fixture using a wire nut.

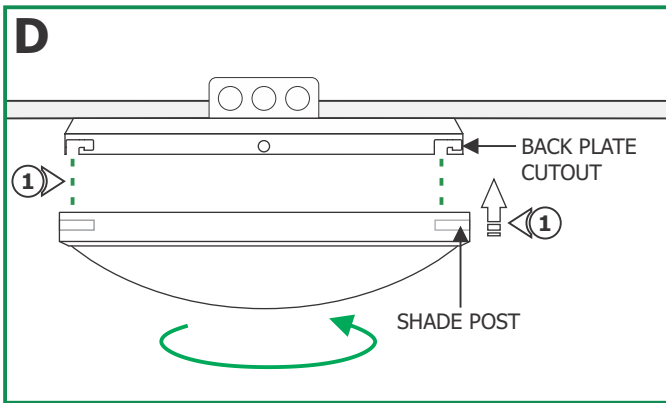


- 3:** This product mounts to either 4" electrical box with plaster ring (2.75" hole spacing) or octagon electrical box (3.5" hole spacing).



4: Align the mounting screws to the junction box. Secure the plate to the junction box using supplied screws.

Install the Shade



NOTE: Contains integrated LEDs consuming 20W (12"), 30W (15") and 40W (18").

1: Align and insert the three mounting posts of the shade to the back plate cutouts. Rotate the shade counterclockwise to secure it in place.