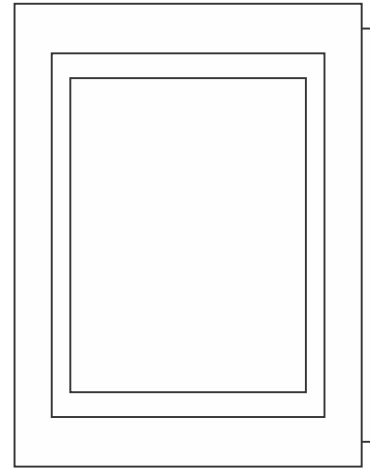


Installation Instructions for Plaza Small Dimmable

IMPORTANT INFORMATION

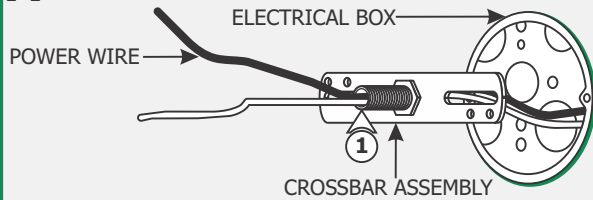
- This product is ETL listed for indoor dry locations.
- This product is wall mounted only.
- Supply power to mirror in accordance with local electrical codes.
- This instruction shows a typical installation
- This product is dimmable with 0-10V dimmers.

SAVE THESE INSTRUCTIONS!



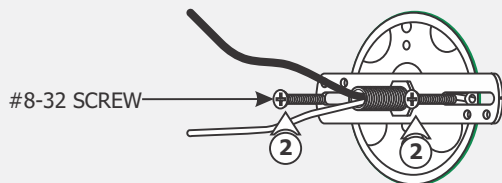
Install the Fixture

A

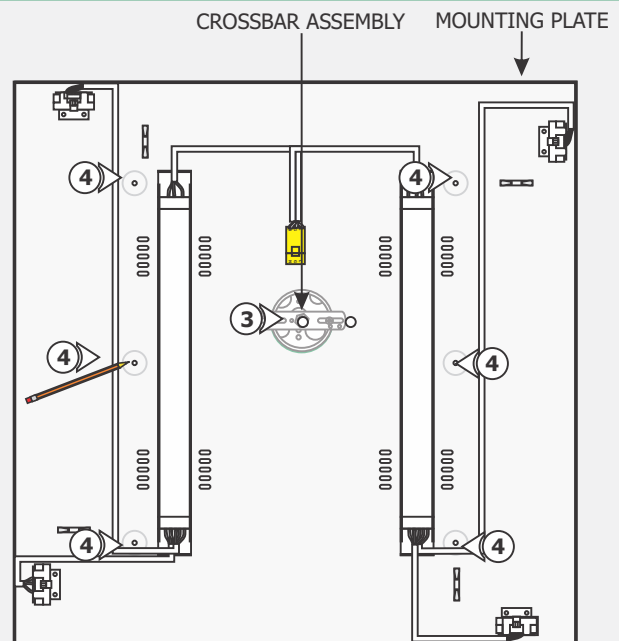


1: Feed the power wires through the crossbar assembly center hole.

2: Mount the crossbar assembly to the electrical box holes with the provided #8-32 screws.



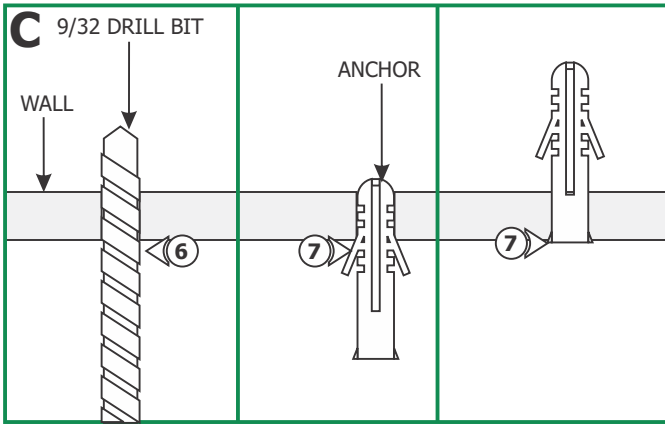
B



3: Align the mounting plate center hole with the crossbar assembly nipple and slide onto the nipple.

4: Level the mounting plate horizontally and mark the six mounting plate holes onto the wall. These points are for the anchors.

5: Remove the mounting plate.

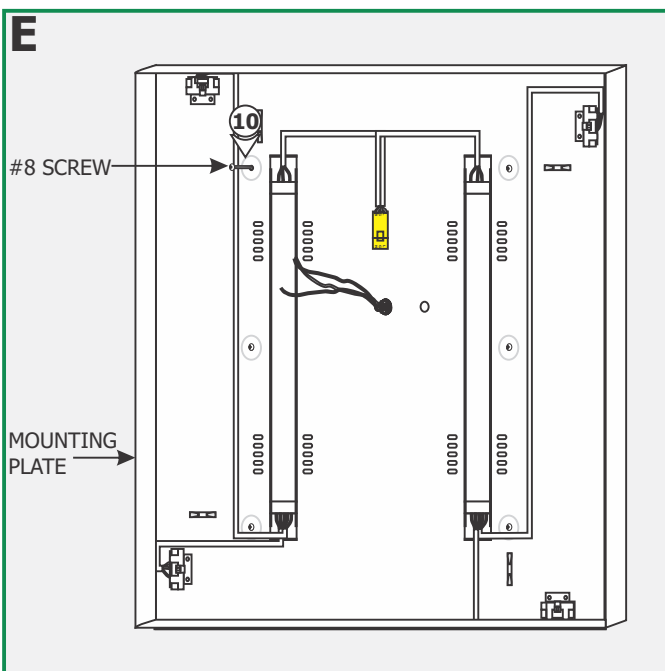
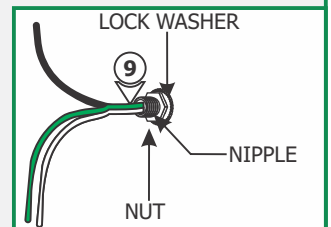
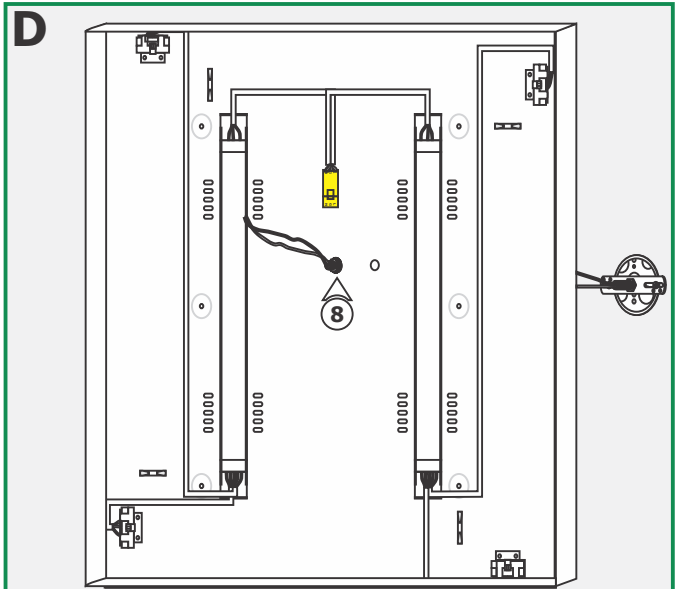


6: Use a 9/32 drill bit to make holes on all six marked points.

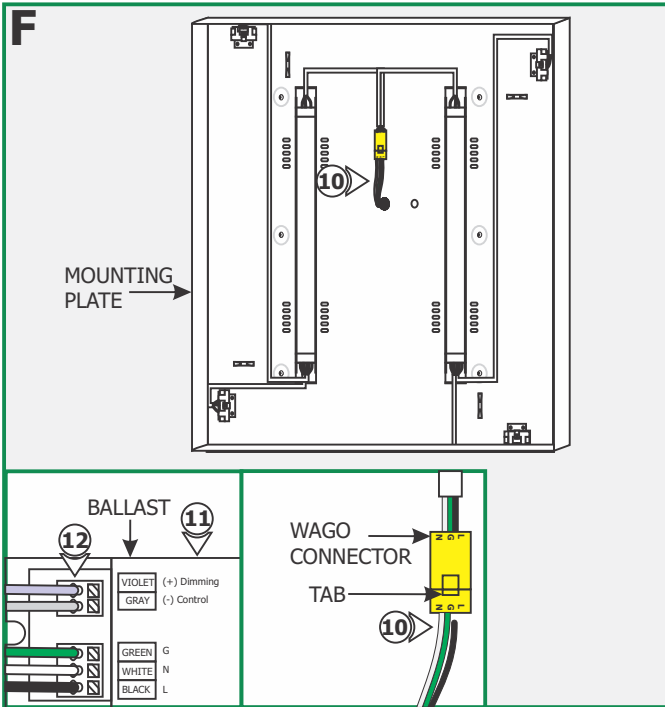
7: Tap the anchors into the drilled holes with a hammer.

8: Feed the power wires through the mounting plate center hole and slide the mounting plate onto the nipple.

9: Secure the mounting plate to the crossbar assembly by tightening the nut and lock washer. Make sure that the mounting plate holes line up with the anchors.



10: Level the mounting bracket horizontally and use the #8 screws to secure the mounting plate to the anchors.



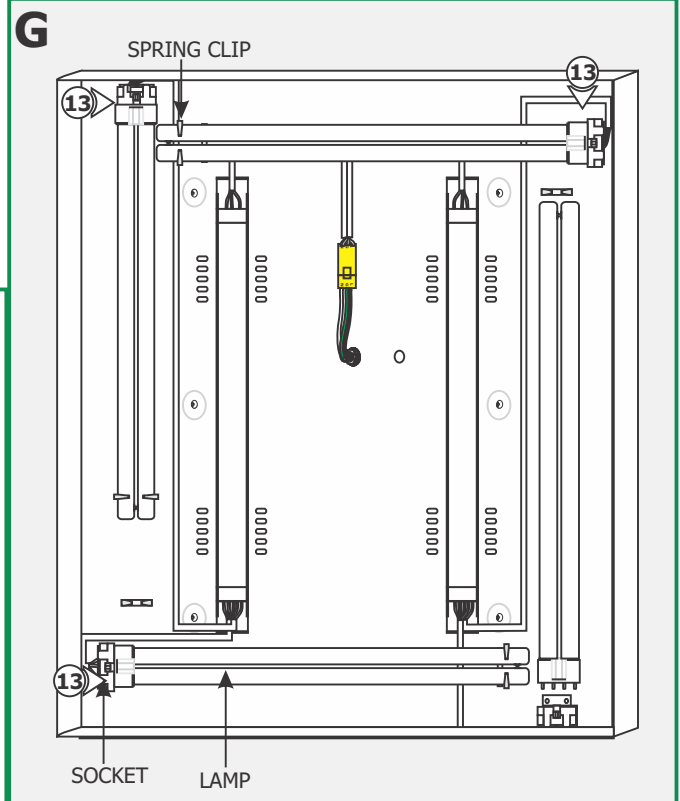
10: Connect the hot, neutral power wires into the wago connector.

NOTE: If necessary, push the tab down and then pull the Wago connector for a quick disconnect.

NOTE: Omit steps 11 & 12 for non-dimming wiring.

11: For dimming, run the violet and gray wires from the dimmer to each ballast. The wires must be solid copper (refer to the dimmer instruction for more details).

12: Branch the violet wire to the (+) & the gray wire (-) terminals of each ballast respectively.

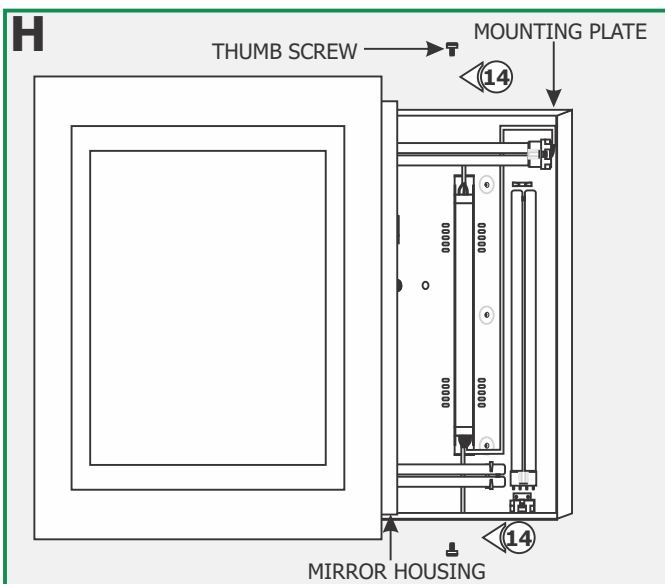


CAUTION: To reduce risk of a burn or electrical shock during lamping, disconnect the power to the fixture.

Use **MAX 55 Watt** Type 2G11 Base Compact Fluorescent Lamp For Each Socket.

13: Push the lamp pins completely into the socket holes and secure by snapping into the spring clips. Repeat this step for the remaining sockets.

NOTE: NEMA fluorescent lamp manufacturers recommend to reduce possible flicker or instability when new dimming systems are commissioned, lamps should be operated at the ballast's maximum light output setting overnight (approximately 12 hours).



14: Place the mirror housing into the mounting plate and secure it in place by tightening the two thumb screws from the top and bottom of the mounting plate into the mirror housing.