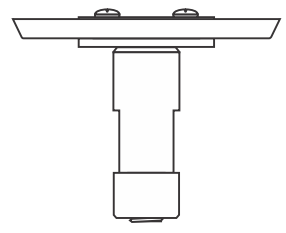


Installation Instructions for Monorail 2" Square Single Power Feed Canopy

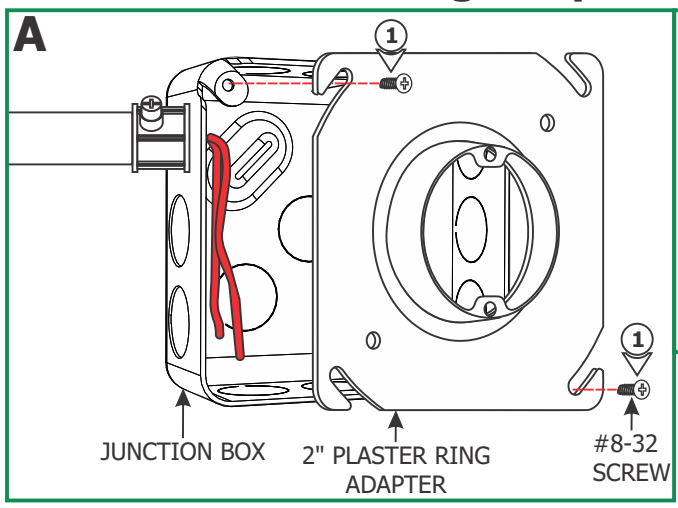
IMPORTANT INFORMATION

- This product is ETL listed for indoor dry locations.
- This product should be installed by a qualified electrician.

SAVE THESE INSTRUCTIONS!



Install 2" Plaster Ring Adapter (New Construction)

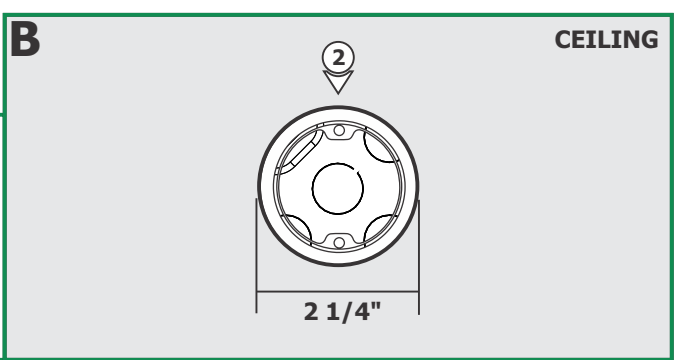


NOTE: Junction box must be mounted to allow clearance of 1/2" between the face of the junction box and the drywall surface.

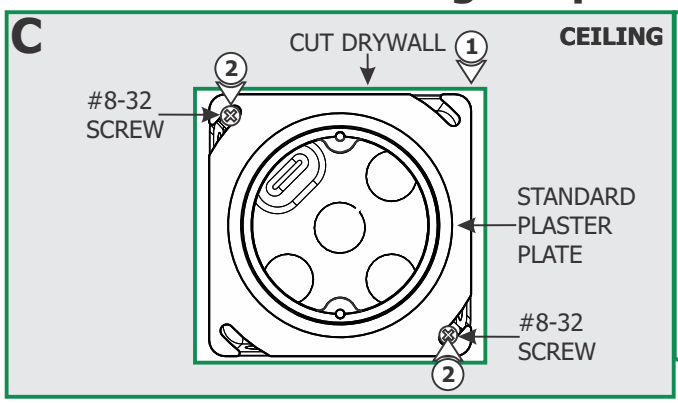
NOTE: The low voltage wires should be present in the junction box. Refer to the instructions provided with the remote transformer to install the transformer and the low voltage wires before proceeding with the steps below.

1: Install the 2" Plaster Ring Adapter to the junction box using two #8-32 screws.

- 2:** Use a circular saw to cut out the drywall section where the junction box opening is.
- 3:** Install the drywall. If necessary, plaster and finish the drywall.
- 4:** Complete installation per "Install Power Feed Canopy" section on Page 2.

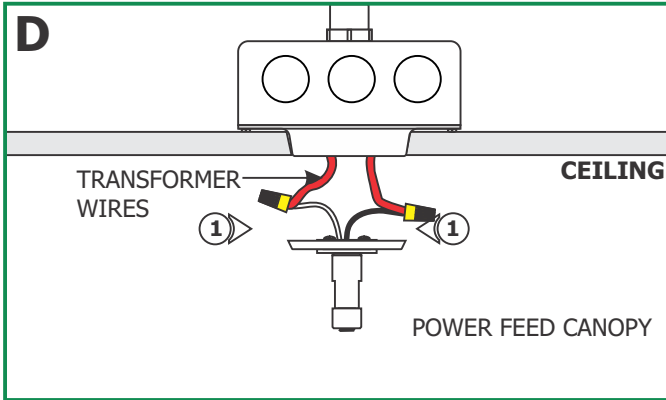


Install 2" Plaster Ring Adapter (Remodel)



- 1:** Cut away the drywall where the junction box is located.
- 2:** Remove the plaster ring by removing the #8-32 screws.
- 3:** Install the 2" Plaster Ring to the junction box using two #8-32 screws.
- 4:** Plaster and finish around the junction box opening.
- 5:** Complete installation by following steps in "Install Power Feed Canopy" section on Page 2.

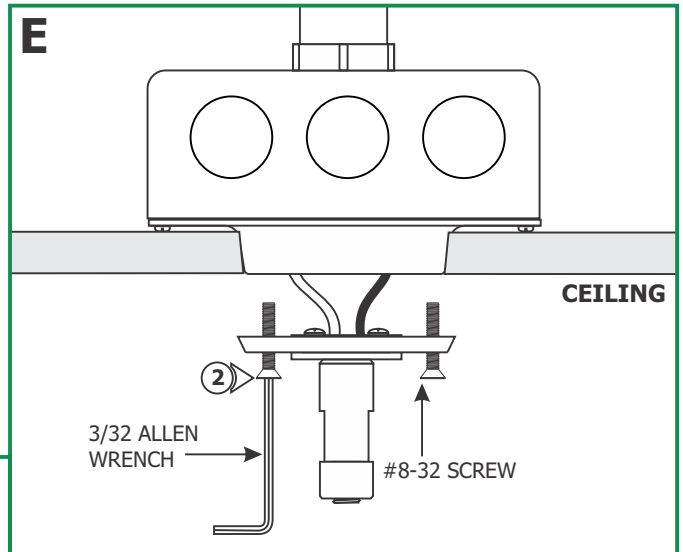
Install Power Feed Canopy



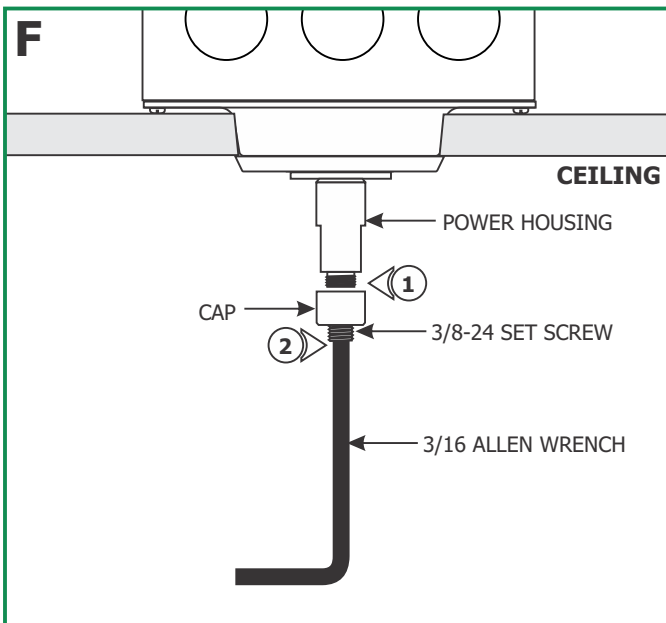
NOTE: Ensure that power to the electrical box is off before connecting the fixture.

1: Connect each remote transformer wire to one fixture wire with a wire nut.

2: Place all wire and wire nut connections properly inside the junction box. Mount the power feed canopy to the 2" Plaster Ring using two #8-32 screws and 3/32 Allen wrench provided.



Install the Monorail to Power Feed Canopy



1: Unscrew the cap from power housing.

2: Slightly loosen the 3/8-24 set screw on the cap with the 3/16 Allen wrench provided, **DO NOT REMOVE IT.**

3: Place the Monorail into the power housing. Make sure that the Monorail is supported by the standoffs. Refer to the instructions provided with the standoffs.

4: Tighten the cap to the power housing. **Make sure the cap is not cross threaded.**

5: Tighten the 3/8-24 set screw with the 3/16 Allen wrench

