



# 4" POWER FEED CANOPIES

REV.08.01.17

DESIGNED BY GREGORY KAY

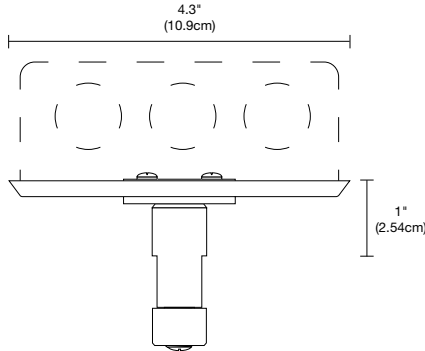


## Monorail 4" Round Single Feed Power Canopy

Monorail 4 inch Round Single Feed Power Canopy powers the rail 1 inch (2.5cm) from the ceiling and mounts to a standard 4 inch electrical box with plaster ring or an octagon box. Use with 1 inch Rigid Standoffs and remote transformers: 12 volt - 60, 150, 175 or 300 watt; 24 volt - 300 or 600 watt. Satin nickel, polished nickel or antique bronze finish.

### Weight:

- 0.95 lb (0.43 kg)



System	Canopy	Height	Finish
<b>MP</b>	<b>4RD</b>	<b>1</b>	<b>SN</b>
<small>MP Monorail Power Feed</small>	<small>4RD 4.3" (10.9cm) Round</small>	<b>1</b> 1" (2.5cm) <b>6</b> 6" (15.2cm) <b>12</b> 12" (30.5cm) <b>24</b> 24" (61cm) <b>36</b> 36" (91.4cm) <b>48</b> 48" (122cm) <b>96</b> 96" (243.8cm)	<b>SN</b> Satin Nickel <b>PN</b> Polished Nickel <b>BZ</b> Antique Bronze

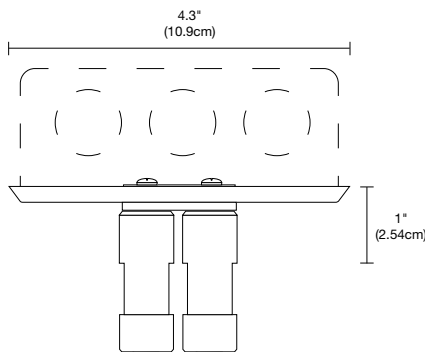


## Monorail 4" Round Dual Feed Power Canopy

Monorail 4 inch Round Dual Feed Power Canopy powers the rails 1 inch (2.5cm) from the ceiling at the point where the two feeds split. It mounts to a standard 4 inch electrical box with plaster ring or an octagon box. A pair of isolating connectors is included. Use with T-600-D12 transformer. Satin nickel, polished nickel or antique bronze finish.

### Weight:

- 0.95 lb (0.43 kg)



System	Canopy	Height	Finish
<b>MPD</b>	<b>4RD</b>	<b>1</b>	<b>SN</b>
<small>MPD Monorail Power Dual Feed</small>	<small>4RD 4.3" (10.9cm) Round</small>	<b>1</b> 1" (2.5cm) <b>6</b> 6" (15.2cm) <b>12</b> 12" (30.5cm) <b>24</b> 24" (61cm) <b>36</b> 36" (91.4cm) <b>48</b> 48" (122cm) <b>96</b> 96" (243.8cm)	<b>SN</b> Satin Nickel <b>PN</b> Polished Nickel <b>BZ</b> Antique Bronze