



Description:

The Single-Feed Surface Mount 300 Watt Magnetic Transformer provide a decorative element and power the Monorail 1" (2.5cm) from ceiling from an electrical box within range of the system. The transformer converts line voltage into 12 volt power and is protected by a fast-acting circuit breaker. The safe-to-touch low voltage output powers Monorail systems up to 300 watts using 12 volt lamps. All 12 volt remote magnetic transformers are LED compatible with 12 volt AC LEDs.

Rail attaches to one or both side-feed contacts using push-in conductive connectors (included). An insert is provided to cover unused side-feed contact. Use with 1" Rigid Standoffs. It can be extended up to 96" with the adjustable power feed MP-ME-96-SN (PN,BZ) or also available in varies height extendable versions as shown below.

Power Input:

120 volts AC 2.5 Amp

Power Output:

12 volts AC 300 watt 25 Amp

Dimmer Used:

Halogen: 600 Watt Magnetic Low Voltage Dimmer, LED: visit www.edgelighting.com

General Requirements:

1" Standoff is used with the surface mount transformer.

Finish:

Satin Nickel, Polished Nickel or Antique Bronze

Dimensions:

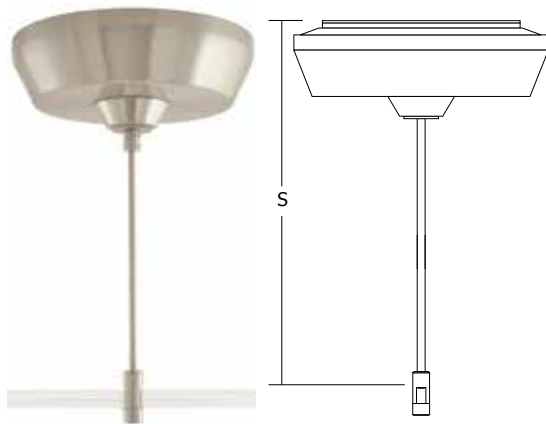
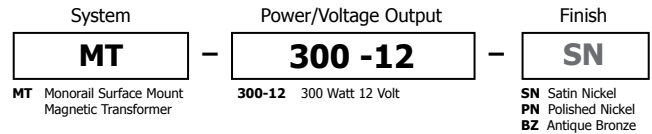
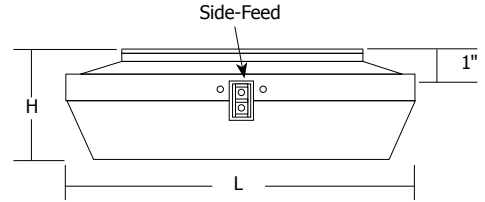
8.62"(L) x 2.8"(H)
(21.9cm x 7.1cm)

Weight:

7 lb (3.2 kg)



MT-300-12-SN



MT-300-12-P12-SN

Description:

The Extended Surface Mount Magnetic Transformers are available in rigid 6" (15.2cm), 12" (31cm), 24" (61cm), 36" (91cm), 48" (122cm), 96" (244cm) or custom heights. Use with corresponding rigid or adjustable standoffs.

Extended surface mount transformers are pre-built and may be cut on location if desired.

