



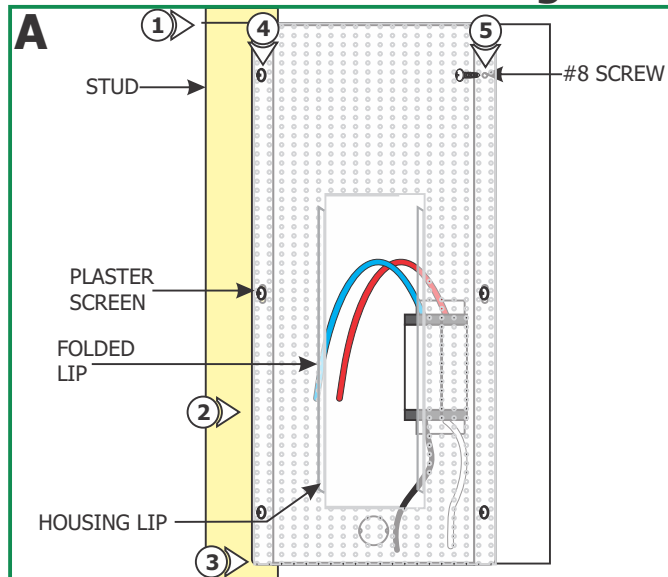
## Installation Instructions for Vision 8 LED Kit

### IMPORTANT INFORMATION

- This product is ETL listed for indoor dry locations.
- This product is wall mounted only.
- This product can be dimmed with an electronic low voltage dimmer.

**SAVE THESE INSTRUCTIONS!**

### Install the Vision Housing

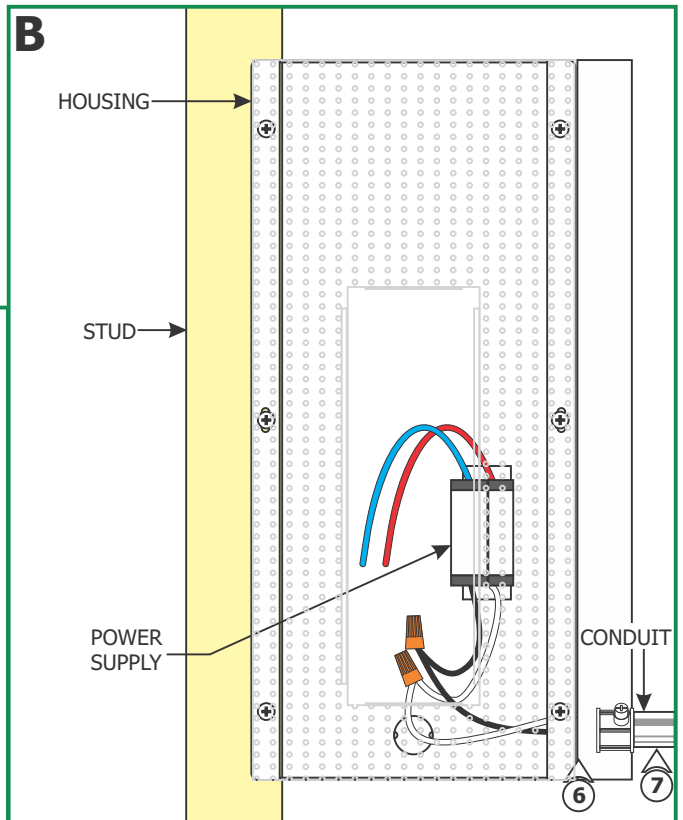


**NOTE:** One of the housing lips needs to be installed to the nearest stud of the desired location.

- 1: Mark the location on the stud where the housing will be mounted.
- 2: Place the plaster screen in front of the housing so that the folded lips face outside.
- 3: Line up the screw holes on the plaster screen with the screw holes of the housing and place one housing lip against the marked stud.
- 4: Secure the housing along with the plaster screen to the stud with the provided three #8 screws.
- 5: Use the other three #8 screws to secure the plaster screen to the housing.

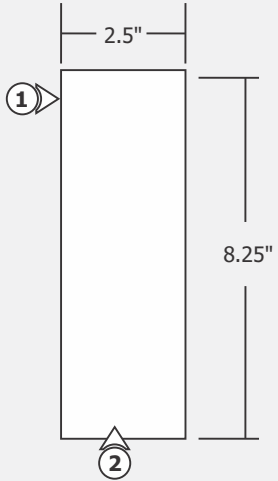
**NOTE:** Before beginning any electrical work, ensure that power to the junction box is turned **OFF**.

- 6: Remove a knock out to run the 120 VAC power wires to the housing.
- 7: If required by local electrical codes, install conduit and run the power line wires to the housing.
- 8: Make sure that the housing is grounded in accordance with local electrical codes.
- 9: Connect the white power supply wire to the neutral power line wire with a wire nut.
- 10: Connect the black power supply wire to the hot power



# Install Drywall, Trim & Lamp

**D**



**1:** Mark a 2.5" wide by 8.25" high rectangle on the drywall where the housing opening is located.

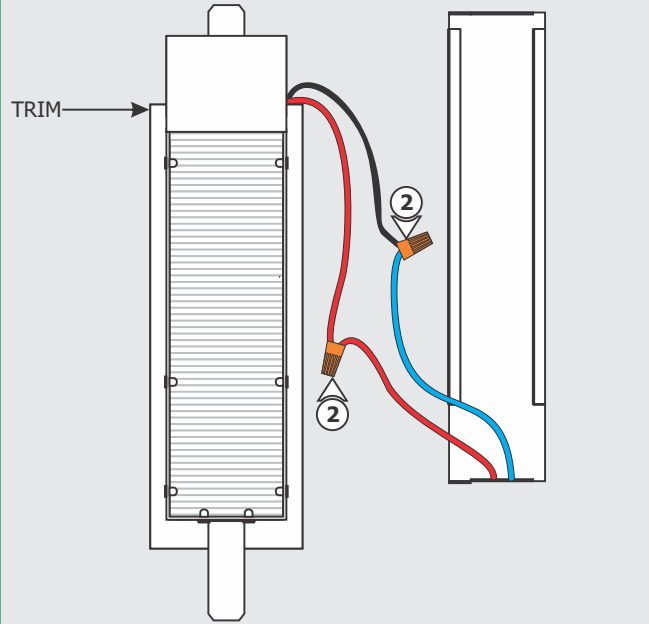
**2:** Cut out the marked rectangle and install the drywall.

**NOTE:** Power connections to the fixture may have already been made by manufacturer.

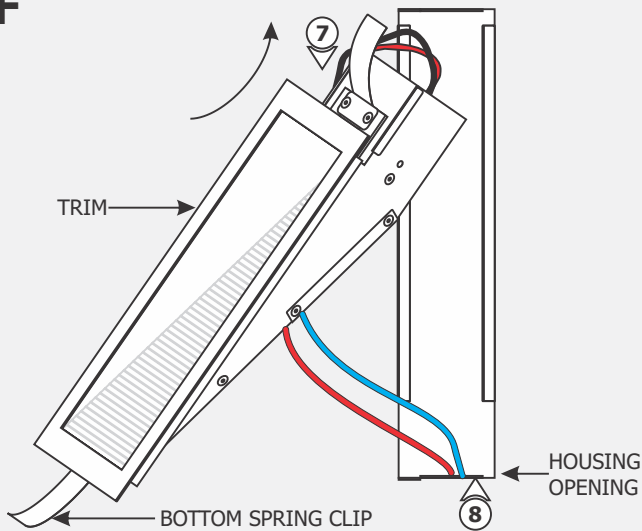
**3:** Install and finish drywall.

**4:** Connect the red power supply wire to the red fixture wire

**E**



**F**



**7:** Place all wires inside the housing and insert the top spring clip into the housing.

**8:** Bend the bottom spring clip of the trim towards the housing