

# TIE STIX WALL 1-LIGHT 120V/24VDC FIXTURE, 85+ OR 92+CRI

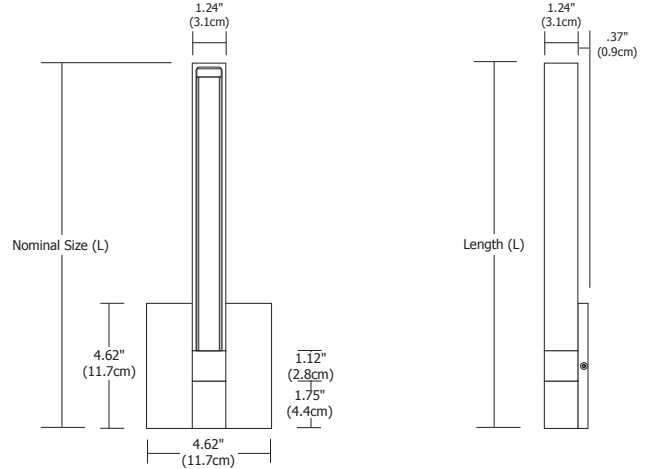
REV01.13.17

DESIGNED BY GREGORY KAY

ASSEMBLED IN THE USA



**TXW1-5W-4SQ--27K-SWC**  
See Page 2 For 2RE & 1RE Canopy Options



## Description:

Tie Stix Wall 1-Light features a direct flat, milky white lens with 100 degree beam spread. Channel is available in 5 wood finish options. Canopy and hardware are offered in 3 metal finishes. The fixture contains 85+ or 92+ CRI LEDs. Warm Dim options are 2700K (27D) or 3000K (30D) at 100% and dim to 2200K. Tie Stix is available in various increments from 12 to 46 inches and uses a 24VDC Class 2 electronic low voltage LED power supply (included). 4SQ canopy mounts to standard 4" square electrical box with round plaster ring. 2RE mounts to standard 4" electrical box with single gang plaster ring or single gang electrical box. 1RE mounts to Slim Profile Junction Box (included) in new construction applications. Power supply fits inside electrical box or Slim Profile Junction Box. Dimmable with an electronic low voltage dimmer. Fixture includes a 5 year warranty. ADA compliant.

## Applications:

Indoor Only - architectural lighting, task lighting, general lighting, retail

## Lamp:

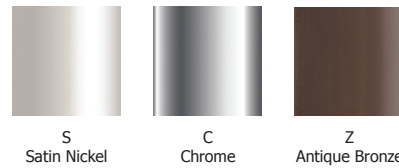
50,000 hours

Version	Watts per Foot	Lumens		85+CRI 24K, 35K, 40K, 57K	92+CRI 27K, 30K	92+CRI 27D, 30D
		per Watt	per Foot			
<b>5W</b>	5W	54	270	●	●	●

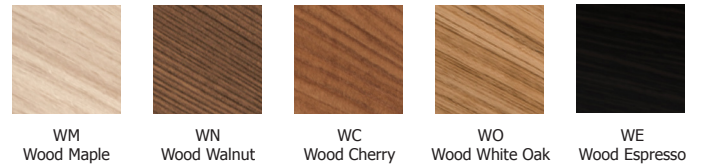
Lumen values are based on the 3000K LED test

System	Wattage	Canopy	Nominal Size (L) In Inches	Color Temperature	Canopy and Hardware Finish	Channel Finish
<b>TXW1</b>	<b>5W</b>	<b>4SQ</b>	<b>12</b>	<b>27K</b>	<b>S</b>	<b>WM</b>
<b>TXW1</b> Tie Stix Wall 1-Light	<b>5W</b> 5 Watt	<b>4SQ</b> 4.6" Square <b>1RE</b> 1" Rectangle with Junction Box <b>2RE</b> 2"x4" Rectangle	<b>24K - 57K</b> <b>12</b> 12" <b>29</b> 30" <b>15</b> 15" <b>34</b> 34" <b>22</b> 22" <b>46</b> 46"  <b>Warm Dim (27D &amp; 30D)</b> <b>12</b> 12" <b>30</b> 30" <b>15</b> 15" <b>33</b> 33" <b>21</b> 21" <b>45</b> 45"	<b>24K</b> 2400K Amber White <b>27K</b> 2700K Very Warm White <b>27D</b> 2700K Warm Dim <b>30K</b> 3000K Warm White <b>30D</b> 3000K Warm Dim <b>35K</b> 3500K Neutral White <b>40K</b> 4000K Cool White <b>57K</b> 5700K Daylight White	<b>S</b> Satin Nickel <b>C</b> Chrome <b>Z</b> Antique Bronze	<b>WM</b> Wood Maple <b>WN</b> Wood Walnut <b>WC</b> Wood Cherry <b>WO</b> Wood White Oak <b>WE</b> Wood Espresso

## Canopy and Hardware Finish:



## Channel Finish:



## Power Supply:

120V input, 24VDC Class 2 output; electronic low voltage LED power supply (included)

## Dimming:

Dimmable with electronic low voltage dimmer: Legrand, Adorne ADTP703TU; Lutron: Diva DVELV-300P, Skylark SELV-300P, Maestro MAELV-600 and Radio Ra 2 dimmers recommended

PROJECT:

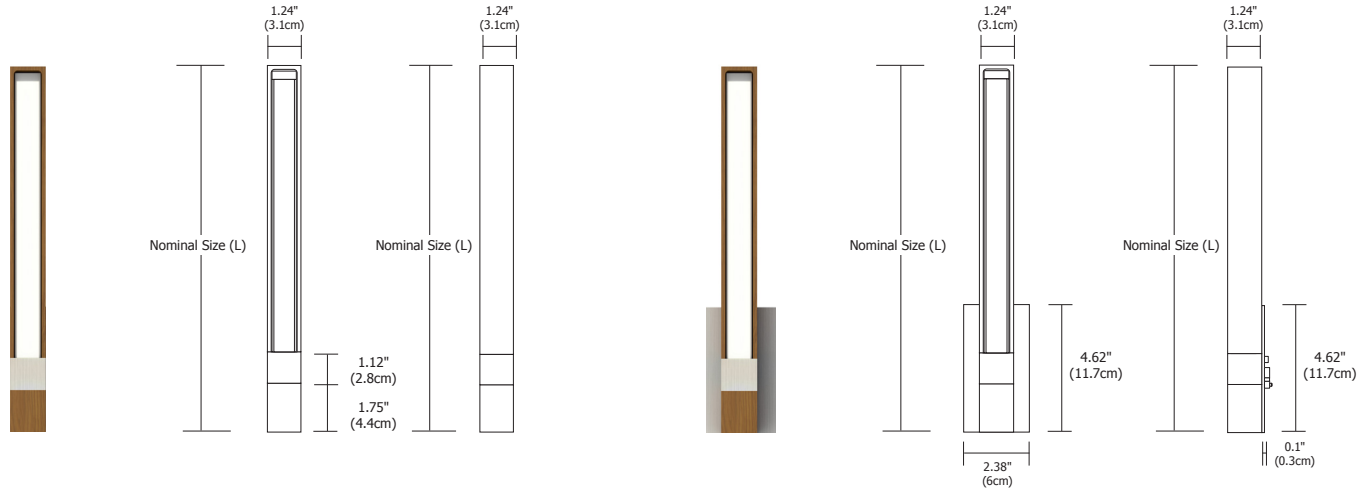
FIXTURE  
TYPE:

DATE:



# TIE STIX WALL 1-LIGHT 120V/24VDC FIXTURE, 85+ OR 92+CRI

REV01.13.17



**TXW1-5W-1RE-\_-27K-SWC**

**1RE Canopy wth Junction Box  
(For New Construction Only)**

**TXW1-5W-2RE-\_-27K-SWC**

**2RE Canopy**

## TIE STIX WALL 1-LIGHT ACTUAL SIZE

### 24K, 27K, 30K, 35K, 40K and 57K

### 27D and 30D

ORDERING CODE (NOMINAL SIZE)	OVERALL LENGTH (INCHES)
12	13.2
15	15.6
22	22.8

ORDERING CODE (NOMINAL SIZE)	OVERALL LENGTH (INCHES)
29	30.0
34	34.8
46	46.8

ORDERING CODE (NOMINAL SIZE)	OVERALL LENGTH (INCHES)
12	12.6
15	15.6
21	21.6

ORDERING CODE (NOMINAL SIZE)	OVERALL LENGTH (INCHES)
30	30.6
33	33.6
45	45.6

PROJECT:

FIXTURE TYPE:

DATE:

