

Installation Instructions for **OT-DIM Warm White: LED Dimming Module**

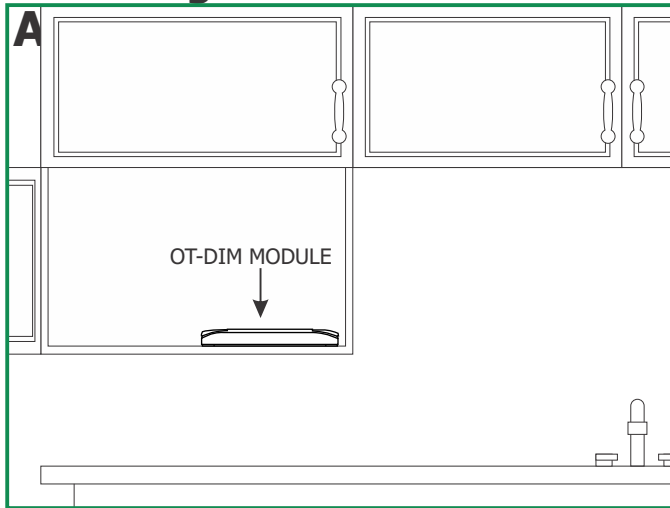


SAVE THESE INSTRUCTIONS!

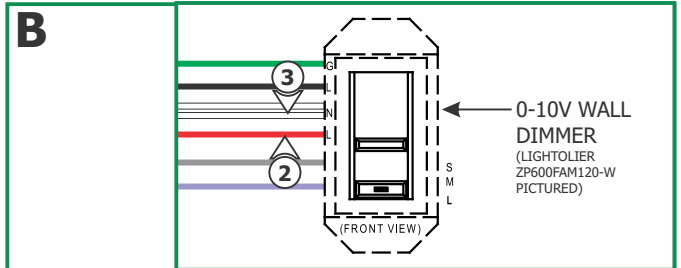
GENERAL INFORMATION	IMPORTANT SAFETY INSTRUCTIONS
<ul style="list-style-type: none"> - RISK OF FIRE: This product must be installed by a qualified electrician. Turn the power to the electrical box off during installation. Read the "Important Safety Instructions " before installation. - This product is not suitable for wet locations. It is approved for the use at any height above the finished floor. - A typical installation is shown. Specific installation must be in accordance with the local electrical codes. - TO REDUCE RISK OF FIRE, it is important to wire the power supply for the system as described in this installation instruction. - Load the power supply to MAXIMUM 60 Watts. - Use Lightolier "ZP600FAM120" 0-10 volt controller to dim the Warm White LED soft strip. 	<ul style="list-style-type: none"> - Do not install this power supply in a wet location. - To reduce the risk of the system overheating and possibly causing a fire, make sure all the connections are tight. - Do not install *LED fixture closer than three inches or as specified in the *LED fixture installation instructions to curtains or similarly combustible materials. Keep insulation at least 3" away from the enclosure. - Turn the electrical power off before modifying the lighting system in any way. <p>* See LED fixture installation instructions for proper placement.</p>

25W, 24VAC LOW VOLTAGE WIRE SIZE CHART				
3% VOLTAGE DROP	WIRE LENGTH IN FT	UP TO 128FT	129-197FT	198-326FT
	WIRE SIZE	14 AWG	12 AWG	10 AWG
	VOLTAGE AT END OF THE WIRE	23.5 VDC	23.3 VDC	23.3 VDC

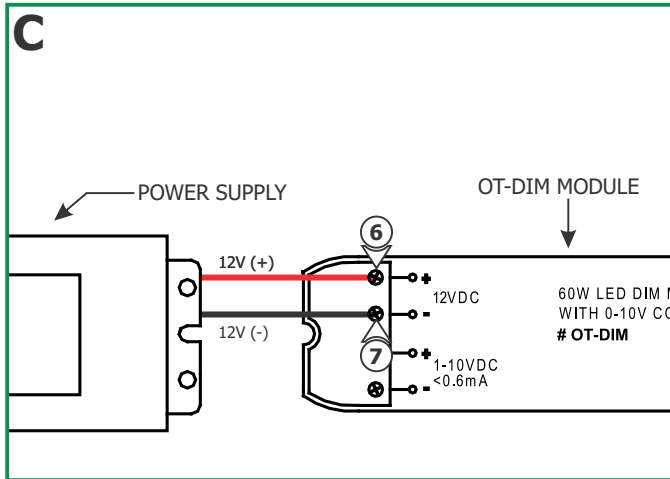
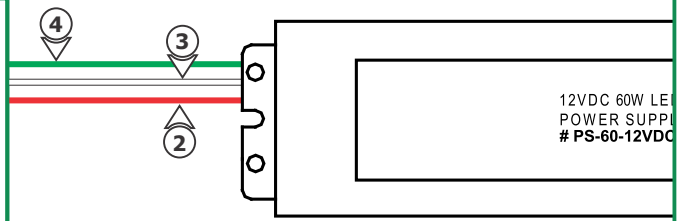
Installing OT-DIM Module



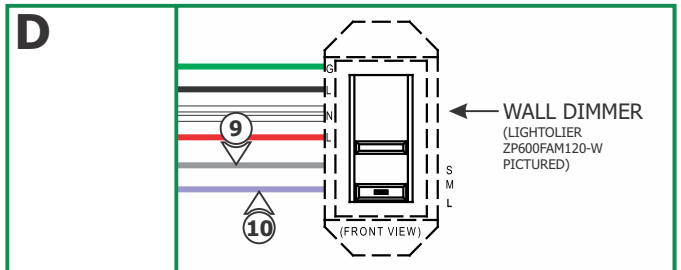
1: Mount dimming module in easily accessible area dry area.



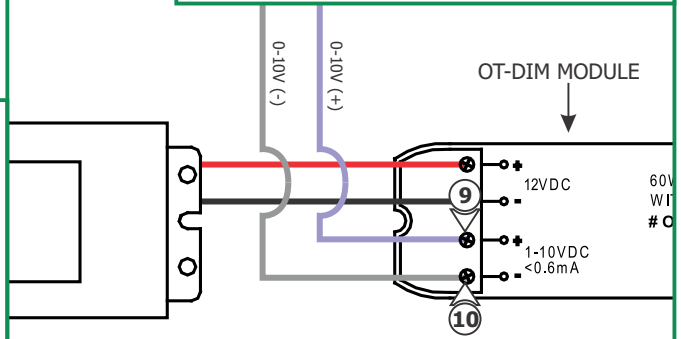
- 2:** Run red 120V line wire from "L" input on 0-10 voltage dimmer to power supply unit.
- 3:** Run white neutral voltage wire from "N" input on 0-10 voltage dimmer to power supply unit.
- 4:** Ground power supply in accordance with local electrical codes



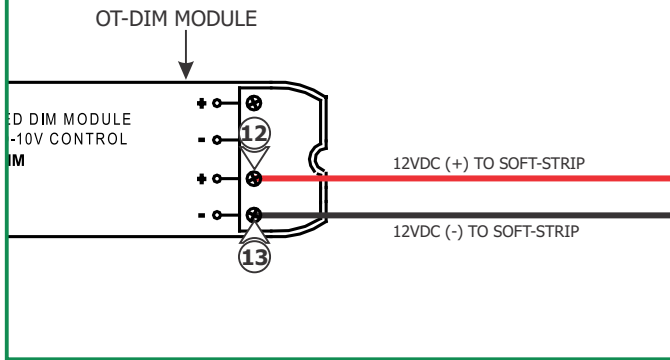
- 5:** Run wire whips from 12V 60W transformer to + and - ports on OT-DIM module.
- 6:** Attach red 12V (+) wire to (+) 12VDC port on OT-DIM module
- 7:** Attach black 12V (-) wire to (-) 12VDC port on OT-DIM module



- 8:** Run gray and violet 0-10 volt dimming wires from 0-10V dimmer to OT-DIM module.
- 9:** Connect violet wire from 0-10V dimmer to 1-10VDC (+) port on OT-DIM module.
- 10:** Connect gray wire from 0-10V dimmer to 1-10VDC (-) port on OT-DIM module.



E



11: Run red and black low voltage wire whips from LED soft-strip to (+) and (-) ports on OT-DIM module.

12: Connect red wire to (+) port on OT-DIM module

13: Connect black wire to (-) port on OT-DIM module

Wiring Diagram

