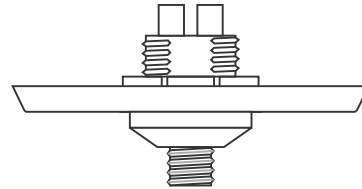


## Installation Instructions for **Fast Jack Power Square 2" Flat Canopy**

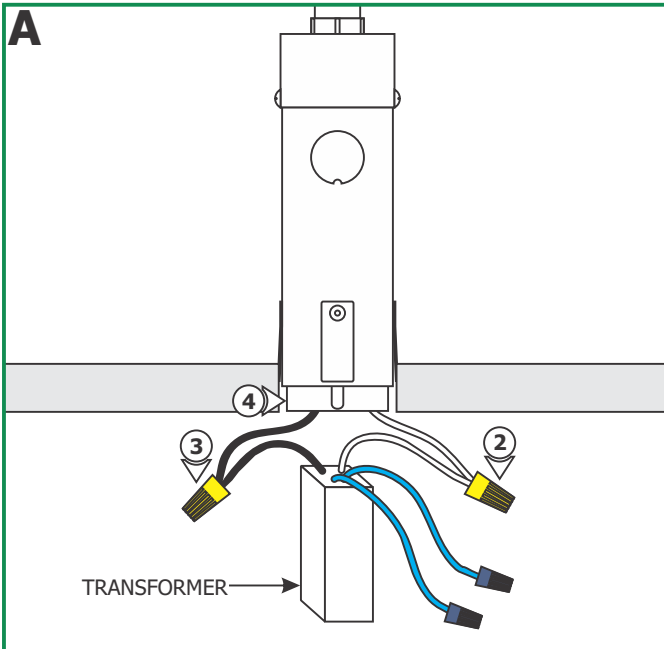
### IMPORTANT INFORMATION

- This product is ETL listed for indoor dry locations.
- This product is dimmable with a standard incandescent dimmer.
- This product installs to Edge Lighting 2" electrical box only.
- Minimum electrical box volume must be 6 cubic inches (98 cubic centimeters).

**SAVE THESE INSTRUCTIONS!**

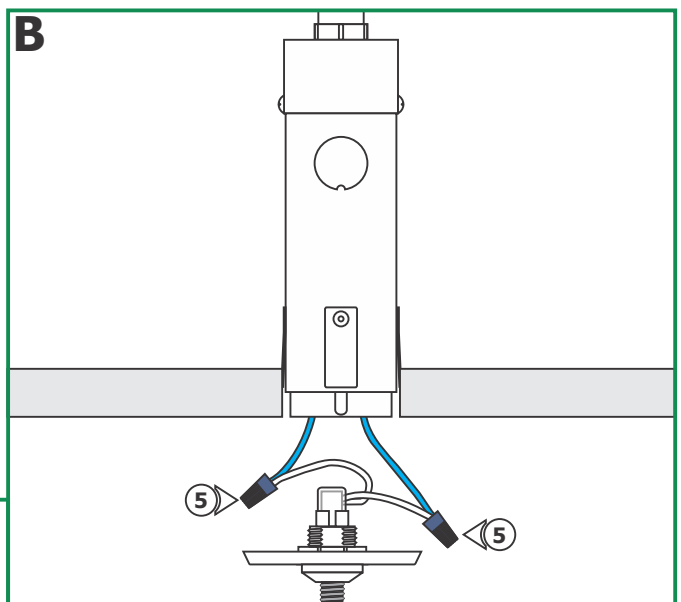


### Install the Canopy

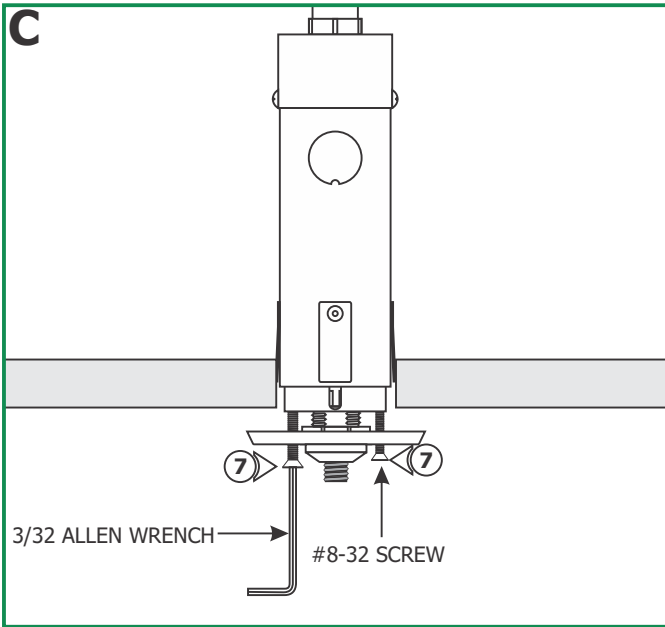


**NOTE:** Install the 2" electrical box before proceeding with the steps below. Refer to the instructions provided with the box.

- 1: Turn the power to electrical box off.
- 2: Connect the white transformer wire to the neutral power wire with a wire nut.
- 3: Connect the black transformer wire to the hot power wire with a wire nut.
- 4: Place the transformer and transformer wires inside the 2" electrical box.

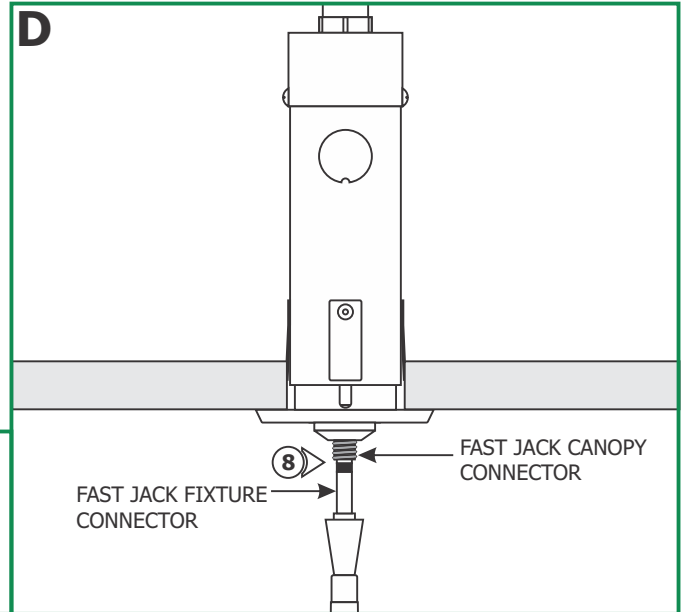


- 5: Connect each Fast Jack canopy wire to one low voltage transformer with a wire nut.



**6:** Place all wires inside the 2" electrical box.

**7:** Secure the Fast Jack canopy to the 2" electrical box by tightening the two provided #8-32 screws with the 3/32 Allen wrench.



**CAUTION: Risk of Fire: MAX** load of Fast Jack canopy is **75** watt.

**8:** Use fingers to tighten the Fast Jack fixture connector into the Fast Jack canopy connector.