

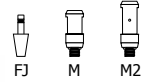
# SCOPE LED - 95CRI

# FAST JACK FIXTURE HEAD



Designed by Gregory Kay - Patent Pending

Compatible System Connectors



**FJ-SCO-1-SN**  
Satin Nickel with  
Scope Accessory, **SCO-A**



**FJ-SCO-1-PN**  
Polished Nickel



**FJ-SCO-1-BZ**  
Antique Bronze

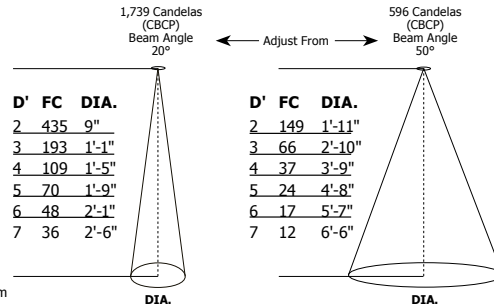


**FJ-SCO-1-WH**  
White



Adjust Beam by  
turning **LED** Lens

**D** - Distance from **SCOPE LED** fixture  
**FC** - Initial footcandles at the center of beam  
**DIA** - Diameter



SCOPE 9.3 watt 20° = MR16 30 watt halogen  
SCOPE 9.3 watt 50° = MR16 42 watt halogen  
Find details on lamp data on the next page.

### Description:

The Scope **LED**, a classic flat-back cylinder fixture, swivels 90° vertically. The cool-to-the-touch rotating lens allows adjustment of the beam angle from 20° spot to 50° flood while the fixture is lit. Fixture includes 5 year warranty.

### System Compatibility:

Mounts to any 12VAC Monorail or Monorail 2 Circuit. Use Fast Jack (FJ) version for FJ **LED** canopies

### Body Finish:

Satin Nickel, Polished Nickel, Antique Bronze or White

### Lamp Specification:

12VAC **LED**, 70% lumen maintenance based on 50,000 hours of operation

BEAM SPREAD	LUMENS	WATTS	EQUIVALENT TO HALOGEN MR16	LUMENS PER WATT	CBCP	COLOR TEMP (K)	CRI
20 degrees	217	9.3	30 Watt	23.3	1,739	2,994	95
50 degrees	315	9.3	42 Watt	33.8	596	2,994	95

### Dimming Information:

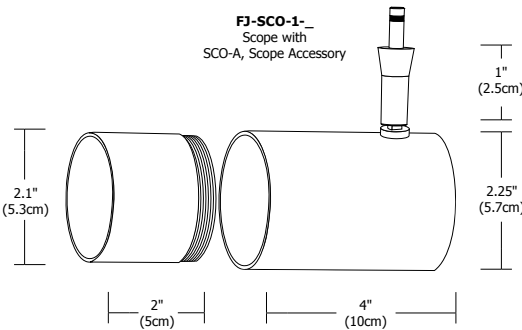
Dimmable with Lutron Skylark or Diva low voltage dimmers. For additional details, see Scope Dimming Chart at [www.edgelighting.com](http://www.edgelighting.com)

### Optical Accessories:

**SCOPE-A** louver lens holder houses MR16 (L16) lenses, Hexcell Louver and **ST-16** Snoot (see accessories spec sheet)

### Weight:

2.4 lb (1 kg)

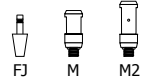


System	Fixture	Height	Finish	Accessory Code	Fixture	Description
<b>FJ</b>	<b>SCO</b>	<b>1</b>	<b>SN</b>	<b>SCOPE</b>	<b>SCOPE</b>	<b>A</b>
<b>FJ</b> Fast Jack <b>M</b> Monorail <b>M2</b> Monorail 2 Circuit	<b>SCO</b> Scope	<b>1</b> 1" (2.5cm)	<b>SN</b> Satin Nickel <b>PN</b> Polished Nickel <b>BZ</b> Antique Bronze <b>WH</b> White (only with FJ Canopy)		<b>SCOPE</b> Scope	<b>A</b> Accessory





Compatible System Connectors



**Efficacy**  
23.3 Lm/W  
**Beam Angle (50%)**  
20°

**Wattage**  
9.3 watt LED  
**Luminous Diameter**  
2.19

**Efficacy**  
33.9 Lm/W  
**Beam Angle (50%)**  
50°

**Wattage**  
9.3 watt LED  
**Luminous Diameter**  
2.19

**CBCP**  
1,739

**Rated Life**  
50,000 Hrs.

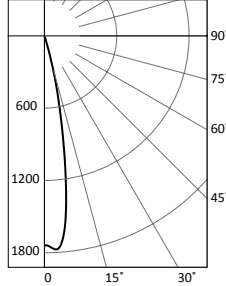
**CBCP**  
596

**Rated Life**  
50,000 Hrs.

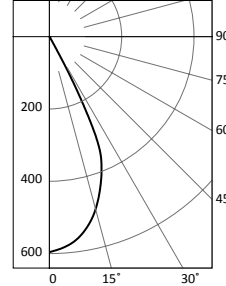
**SCOPE 9.3 watt 20° = MR16 30 watt halogen**

**SCOPE 9.3 watt 50° = MR16 41 watt halogen**

Degree	Candela
0	1739
5	1706
15	231
25	7
35	2
45	1



Degree	Candela
0	596
5	580
15	494
25	305
35	4
45	1



0° Aiming Angle Horizontal Foot Candles		30° Aiming Angle Vertical Foot Candles		45° Aiming Angle Vertical Foot Candles					
<b>D FC DIA.</b> 4' 109 1.4' 6' 48 2.1' 8' 27 2.8' 10' 17 3.5'		<b>L W</b> 1.6' 9" 3.1' 1.4' 4.7' 2.1' 6.2' 2.8'		<b>L W</b> 2.2' 1.5' 2.9' 2.0' 3.6' 2.5' 4.4' 3.0'					
						<b>D C FC</b> 1 1.7' 217 2' 3.5' 54 3' 5.2' 24 4' 6.9 14	<b>D C FC</b> 3' 3' 68 4' 4' 38 5' 5' 25 6' 6' 17		
								<b>L W</b> 10.7' 1.9' 21.5' 3.7' 32.2' 5.6' 42.9' 7.5'	<b>L W</b> 7.2' 4.0' 9.5' 5.3' 11.9' 6.6' 14.3' 7.9'

Verify our Light Output Comparison Chart by downloading the Energy Star Program Requirements for Integral LED Lamps. Go to [www.edgelighting.com/products/lighting\\_tools.php](http://www.edgelighting.com/products/lighting_tools.php).