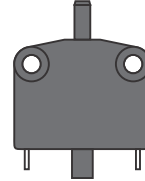


## Installation Instructions for Micro Switch

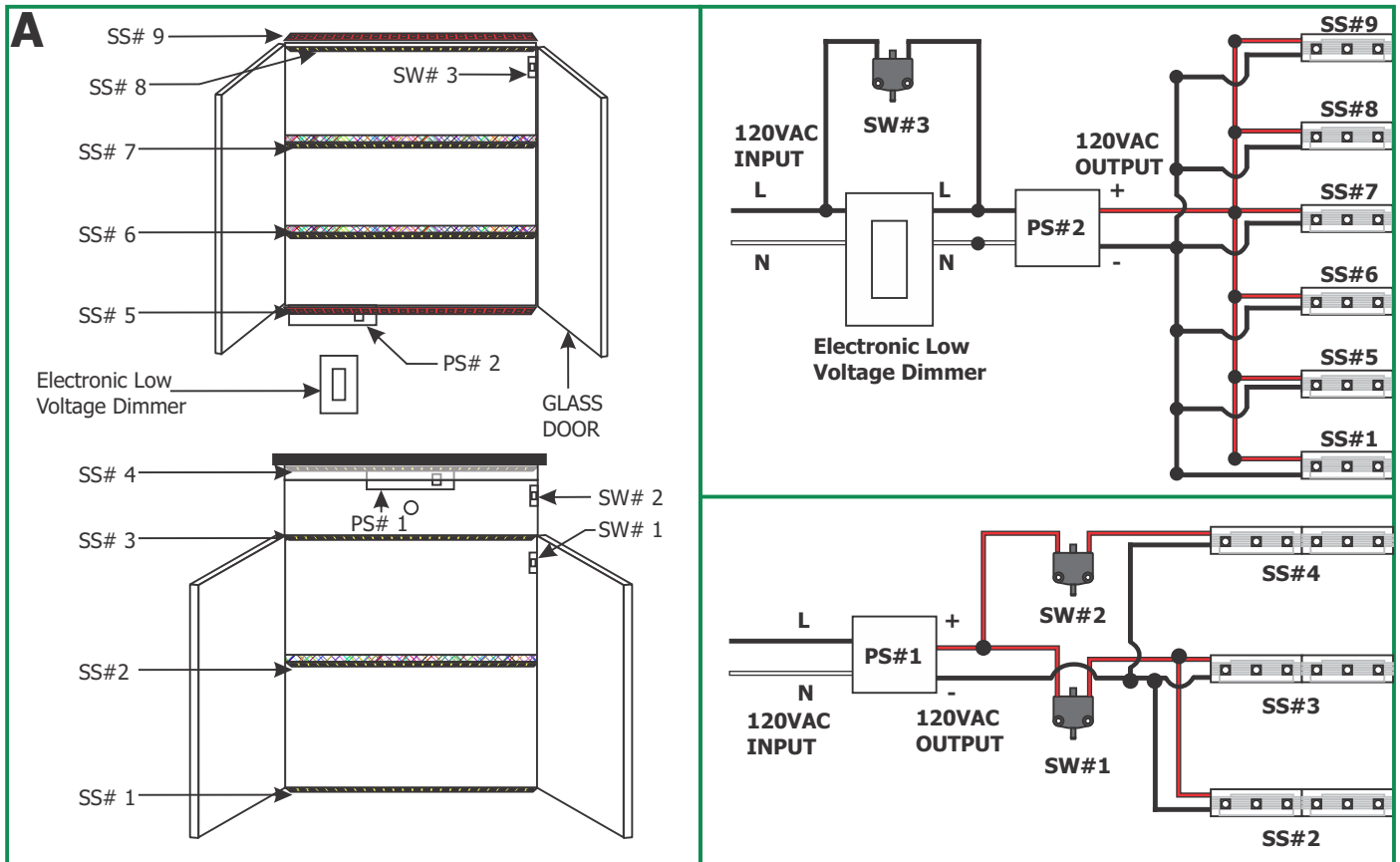
### IMPORTANT INFORMATION

- This instruction shows a typical installation.
- Micro switch is normally closed momentary switch that is rated for 12A at 125VAC.

**SAVE THESE INSTRUCTIONS!**



## A Typical Cabinet Installation Diagram



**SS#1:** Tow kick soft strip.

**SS#2 & SS#3:** Bottom cabinet soft strips.

**SS#4:** Drawer soft strip.

**SS#5:** Under Cabinet soft strip.

**SS#6, 7, & 8:** Upper Cabinet glass door soft strips.

**SS#9:** Top of the Cabinet soft strip.

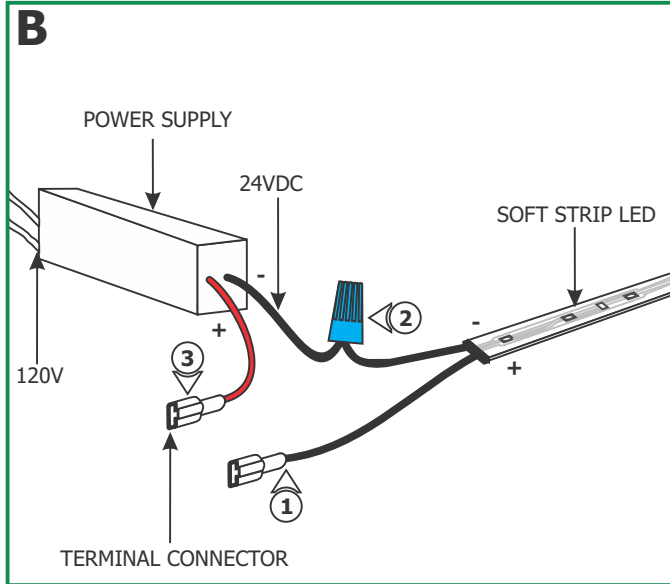
**PS#1:** Power Supply (PS-40W-ELV-24VDC, PSB-60W-ELV-24VDC, or PSB-100W-ELV-24VDC) installed behind one of the drawer.

**SW#1 & SW#2:** Micro switches used in low voltage side to turn the SS#2, SS#3 & SS#4 on when the drawer or cabinet doors are opened.

**PS#2:** Power supply (PSB-60W-ELV-24VDC) used with electronic low voltage dimmer to dim the SS#1, SS#5, SS#6, SS#7, SS#8, and SS#9.

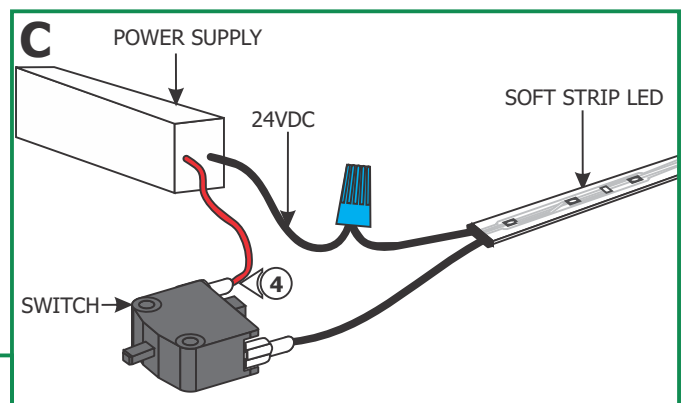
**SW#3:** Micro switch is used in line voltage side to bypass the dimmer and turn to top cabinet soft strips to full power when the cabinet doors are opened.

# Install the Micro Switch

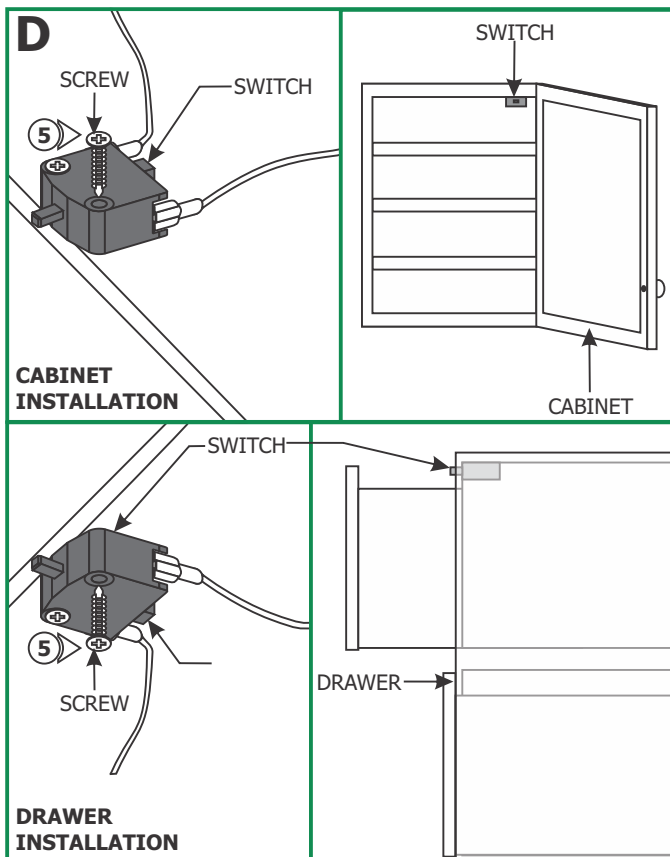


**NOTE:** The soft strip LED and power supply should be installed prior to these steps.

- 1: Insert the soft strip wire connected to the "+VDC" side of the strip into the terminal connector and use the crimper on the cylindrical portion of the terminal connector to secure the wire.
- 2: Connect the other soft strip wire connected to the "-VDC" side of the strip to the black power supply wire marked "-VDC" with a wire nut.
- 3: Connect the red power supply wire marked "+VDC" into the other terminal connector and use the crimper on the cylindrical portion of the terminal connector to secure the wire.



- 4: Insert each terminal connector onto one switch prong.



**NOTE:** For best results install the switch as close as possible to the cabinet door hinge or drawer, (shown in drawing C).

- 5: Properly align the switch position with the cabinet door hinge or drawer and secure it in place with the provided phillips screws.