

# DOT LED 1W, 12V AC/DC



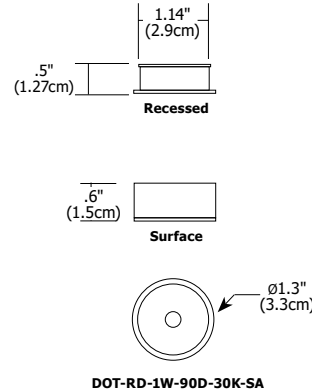
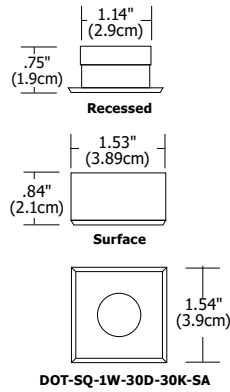
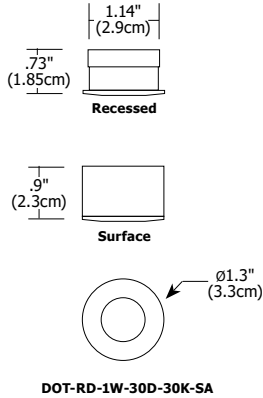
DOT-RD-1W-30D-30K-SA



DOT-SQ-1W-30D-30K-SA



DOT-RD-1W-90D-30K-SA



## Description:

Recessed or surface-mount (using surface-mount collar provided), the Dot LED features solid aluminum construction and uses only 1 watt of warm white LED light. Ideal for cabinet illumination, the tiny but powerful round or square fixture provides a 30 degree beam spread. Round version is also available with a 90 degree beam spread. Includes 8 foot cord/plug port, wire clips and screws. Fixture plugs into 4- or 8-port hub, which distributes the low voltage power from LED power source. Fixtures use 12VAC power supplies and include 5 year warranty.

## Finish:

Satin Aluminum or Bronze

## Lamp Specification:

1 Watt, 64 total lumens (90 Degree), 61 total lumens (30 Degree), 12VAC or DC LED, 3000K, 80+CRI, 70% lumen maintenance based on 50,000 hours of operation

## Dimming Information:

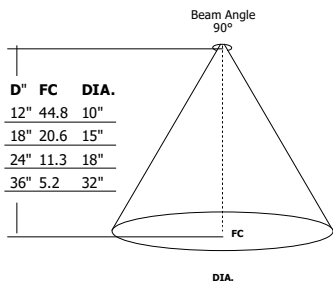
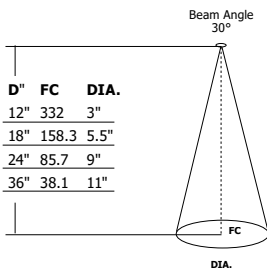
Dimmable with Lutron Diva or Skylark standard electronic low voltage dimmers. AC power supplies dim down to 20% before flickering and slight buzzing

## Power Supply:

Hardwired: **TE-60L-12**  
 Plug-In: **TE-60L-12AC-P**

## Weight:

.5 lb (0.23 kg)



D - Distance from DOT LED fixture  
 FC - Initial footcandles at the center of beam  
 DIA - Diameter

DOT	Type	Watts	Beam Spread	Color Temp (K)	Finish
RD	RD Round	1W 1 Watt	30D 30 degree	30K 3000 Kelvin	SA Satin Aluminum
SQ	SQ Square		90D 90 degree (round only)	BZ Bronze	BZ Bronze

PROJECT:

FIXTURE TYPE:

DATE:



# POWER HUB FOR PUCKS & DOTS

REV08.23.16



8 Port Hub shown

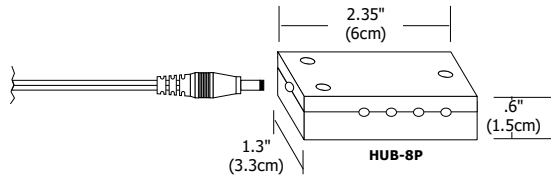
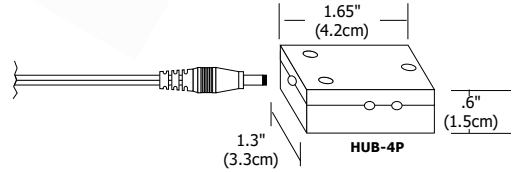


6 foot cord connects to LED power source



## Description:

The 4 or 8 Port Hub distributes the 12V AC/DC low voltage power from LED transformer to a combination of 1 to 4 or 1 to 8 LED Puck or Dot lights. Includes 6 foot Power Feed Connector Cord and 3 clips.



Product	Type
<b>HUB</b>	<b>4P</b>
HUB Power Hub	4P 4 Port 8P 8 Port



## 12 Ft. Hub Extension Cord and Hub Connector

The 12 ft extension cord extends the Hub power cord or the Puck and Dot fixture cord. Includes 6 pieces of WC-1 wire clips. Use HUB-HUB-12 to link multiple Hubs together.

Product	Type	Length
<b>HUB</b>	<b>EC</b>	<b>12</b>
HUB Power Hub	EC HUB Extension Cord Hub to Hub	12 12 Feet



## Wire Clips

Wire Clips keep wires organized. Secure with screws or double-sided tape (included). 3 wire clips provided for each fixture. Also sold separately.

Product	Type
<b>WC</b>	<b>1</b>
WC Wire Clip	1 Standard

PROJECT:

FIXTURE TYPE:

DATE:



# AC POWER FOR DOTS

REV08.23.16



## Electronic 60 Watt AC Transformer with Rectangle Canopy Cover

TE-60L-12 Electronic 60 Watt 12 Volt AC hard wire fits inside single gang electrical box covered with a white 3" rectangular canopy, powering the Dots and Pucks.

Product	Wattage	Voltage	Type	Finish
<b>TE</b>	<b>60L</b>	<b>12AC</b>	<b>3RE</b>	<b>WH</b>
TE Transformer Electronic	60L 60 Watt LED	12AC 12 Volt AC	3RE 3 Inch Rectangle Canopy Cover	WH White



## Electronic 60 Watt LED AC Transformer Plug-In

Plug-In version of the TE-60-12 Electronic 60 Watt 12 Volt AC Transformer includes 10 ft of cord and DC Connector to plug into the HUB-4P or HUB-8P powering the Dots and Pucks.

Product	Wattage	Voltage	Type
<b>TE</b>	<b>60L</b>	<b>12AC</b>	<b>P</b>
TE Transformer Electronic	60L 60 Watt LED	12AC 12 Volt AC	P Plug In



## Electronic 60 Watt LED AC Transformer

TE-60L-12 Electronic 60 Watt 12 Volt AC Transformer converts standard 120 volt line voltage to 12 volts and features built-in short-circuit protection. Fits inside an electrical junction box. Minimum dimming load is 6 watts.

Product	Wattage	Voltage
<b>TE</b>	<b>60L</b>	<b>12</b>
TE Transformer Electronic	60L 60 Watt LED and Halogen	12 12 Volt AC



## 3" Rectangle and 4" Round Canopy Cover

The white rectangle or round canopy cover conceals the TE-60L-12 LED transformer (sold separately) inside a single gang box to power Dots and Pucks.

Product	Finish
<b>3RE</b>	<b>WH</b>
3RE 3 Inch Rectangle Canopy Cover	WH White
<b>4RD</b>	
4RD 4 Inch Round Canopy Cover	

PROJECT:

FIXTURE  
TYPE:

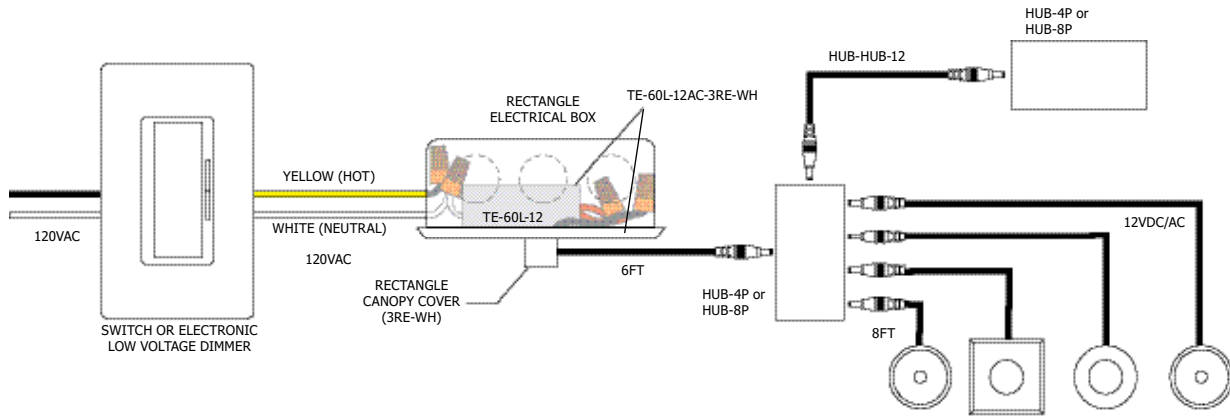
DATE:



**Application:** Wiring Diagram for 4 Dot LED fixtures

**Power Supply:** 60 watt, 120 volt input, 12 volt AC output TE-60L-12

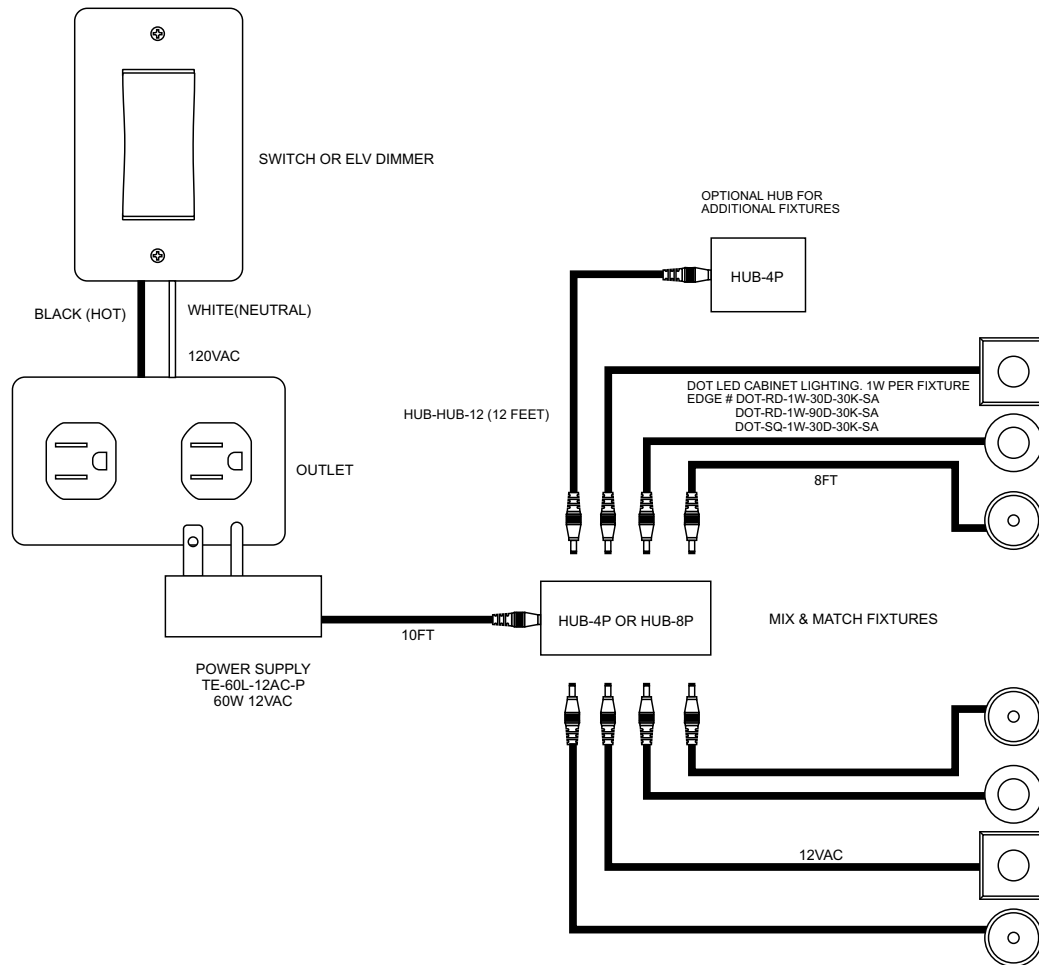
**Dimming:** Dimmable with low voltage electronic dimmer using power supply above.  
See power supply spec sheet for additional details.  
Lutron: Diva #DVELV-300P; Skylark #SELV-300P dimmers are recommended



**Application:** Wiring diagram for 7 Dot LED fixtures

**Power Supply:** 60 watt, 120 volt input, 12 volt AC output TE-60L-12AC-P

**Dimming:** Dimmable with low voltage electronic dimmer using power supply above. See power supply spec sheet for additional details. Lutron: Diva #DVELV-300P; Skylark #SELV-300P dimmers are recommended



PROJECT:

FIXTURE TYPE:

DATE:

# PUCK LED 3W, 12V AC/DC



Surface Mount - Satin Aluminum



Surface Mount (Collar Included)



Recessed

Remove Collar for Recessed Mounting



Surface Mount -White



Surface Mount - Bronze

### Description:

Recessed or surface-mount, Puck **LED** features solid aluminum construction and uses only 3 watts of warm-white **LED** light. Ideal for under cabinet illumination. The tiny but very powerful round fixture is available with a 90 degree beam spread. Includes 8 foot cord/plug port, wire clips and screws. Fixture plugs into 4- or 8-port hub, which distributes the low voltage power from **LED** power source. Fixtures use 12VAC or 12VDC power supplies and include a 5 year warranty.

### Finish:

Satin Aluminum, White or Bronze

### Lamp Specification:

4 Total Watts, 138 total lumens, 12V AC or DC **LED**, 3070K, 84CRI, 70% lumen maintenance based on 50,000 hours of operation

### Dimming Information:

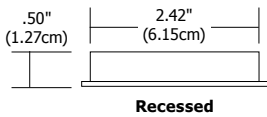
Dimmable with Lutron Diva or Skylark standard electronic low voltage dimmers. AC power supplies dim down to 20% before flickering and slight buzzing

### Power Supply:

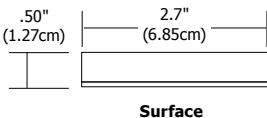
Hardwired: **TE-60L-12**  
Plug-In: **TE-60L-12AC-P**

### Weight:

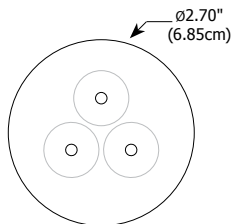
.5 lb (0.23 kg)



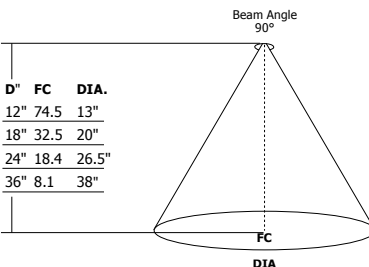
Recessed



Surface



PUCK	Type	Watts	Beam Spread	Color Temp (K)	Finish
<b>RD</b>	<b>RD</b> Round	<b>3W</b> 3 Watts	<b>90D</b> 90 degree	<b>30K</b> 3070 Kelvin	<b>SA</b> Satin Aluminum <b>WH</b> White <b>BZ</b> Bronze



PROJECT:

FIXTURE TYPE:

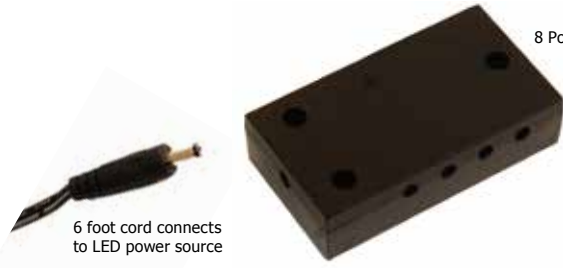
DATE:



# POWER HUB FOR PUCKS & DOTS

REV05.12.16

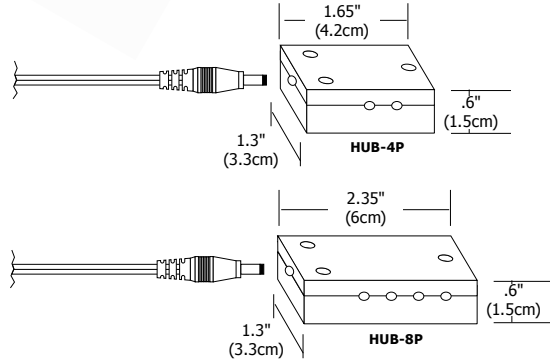
8 Port Hub shown



6 foot cord connects to LED power source

## Description:

The 4 or 8 Port Hub distributes the 12V AC/DC low voltage power from LED transformer to a combination of 1 to 4 or 1 to 8 LED Puck or Dot lights. Includes 6 foot Power Feed Connector Cord and 3 clips.



Product	Type
<b>HUB</b>	<b>4P</b>
HUB Power Hub	4P 4 Port 8P 8 Port



## 12 Ft. Hub Extension Cord and Hub Connector

The 12 ft extension cord extends the Hub power cord or the Puck and Dot fixture cord. Includes 6 pieces of WC-1 wire clips. Use HUB-HUB-12 to link multiple Hubs together.

Product	Type	Length
<b>HUB</b>	<b>EC</b>	<b>12</b>
HUB Power Hub	EC HUB Extension Cord Hub to Hub	12 12 Feet



## Wire Clips

Wire Clips keep wires organized. Secure with screws or double-sided tape (included). 3 wire clips provided for each fixture. Also sold separately.

Product	Type
<b>WC</b>	<b>1</b>
WC Wire Clip	1 Standard

PROJECT:

FIXTURE TYPE:

DATE:





### Electronic 60 Watt AC Transformer with Rectangle Canopy Cover

TE-60L-12 Electronic 60 Watt 12 Volt AC hard wire fits inside single gang electrical box covered with a white 3" rectangular canopy, powering the Dots and Pucks.

Product	Wattage	Voltage	Type	Finish
<b>TE</b>	<b>60L</b>	<b>12AC</b>	<b>3RE</b>	<b>WH</b>
TE Transformer Electronic	60L 60 Watt LED	12AC 12 Volt AC	3RE 3 Inch Rectangle Canopy Cover	WH White



### Electronic 60 Watt LED AC Transformer Plug-In

Plug-In version of the TE-60-12 Electronic 60 Watt 12 Volt AC Transformer includes 10 ft of cord and DC Connector to plug into the HUB-4P or HUB-8P powering the Dots and Pucks.

Product	Wattage	Voltage	Type
<b>TE</b>	<b>60L</b>	<b>12AC</b>	<b>P</b>
TE Transformer Electronic	60L 60 Watt LED	12AC 12 Volt AC	P Plug In



### Electronic 60 Watt LED AC Transformer

TE-60L-12 Electronic 60 Watt 12 Volt AC Transformer converts standard 120 volt line voltage to 12 volts and features built-in short-circuit protection. Fits inside an electrical junction box. Minimum dimming load is 6 watts.

Product	Wattage	Voltage
<b>TE</b>	<b>60L</b>	<b>12</b>
TE Transformer Electronic	60L 60 Watt LED and Halogen	12 12 Volt AC



### 3" Rectangle and 4" Round Canopy Cover

The white rectangle or round canopy cover conceals the TE-60L-12 LED transformer (sold separately) inside a single gang box to power Dots and Pucks.

Product	Finish
<b>3RE</b>	<b>WH</b>
3RE 3 Inch Rectangle Canopy Cover	WH White
4RD 4 Inch Round Canopy Cover	

PROJECT:

FIXTURE  
TYPE:

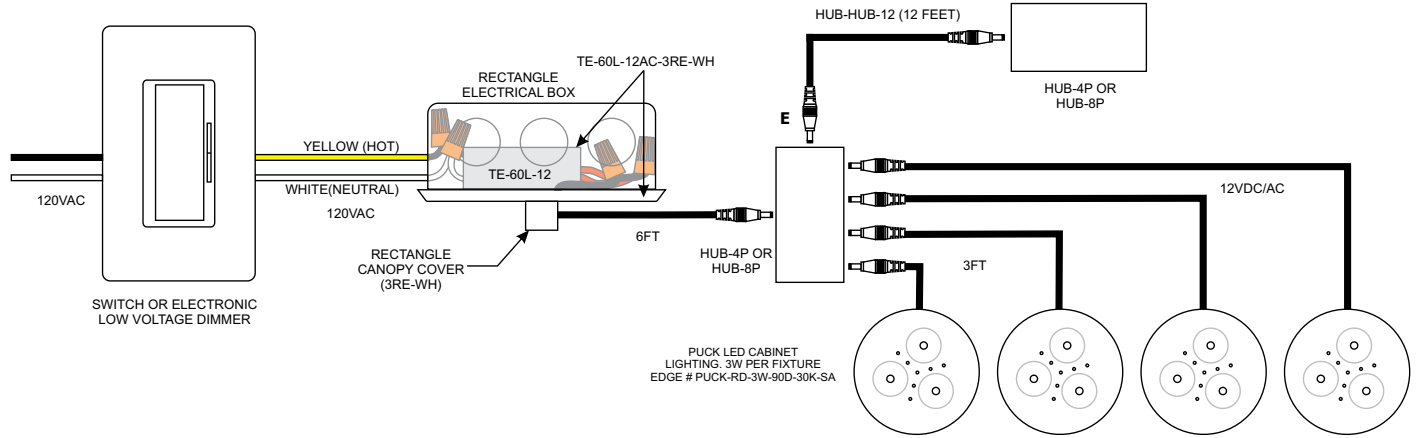
DATE:



**Application:** Electronic low-voltage dimming for 4 Puck LED fixtures

**Power Supply:** 60 watt, 120 volt input, 12 volt AC output **TE-60L-12**

**Dimming:** Dimmable with Lutron Diva #DVELV-300P or Skylark #SELV-300P standard electronic low voltage dimmers. AC power supplies dim down to 20% before flickering and slight buzzing



PROJECT:

FIXTURE TYPE:

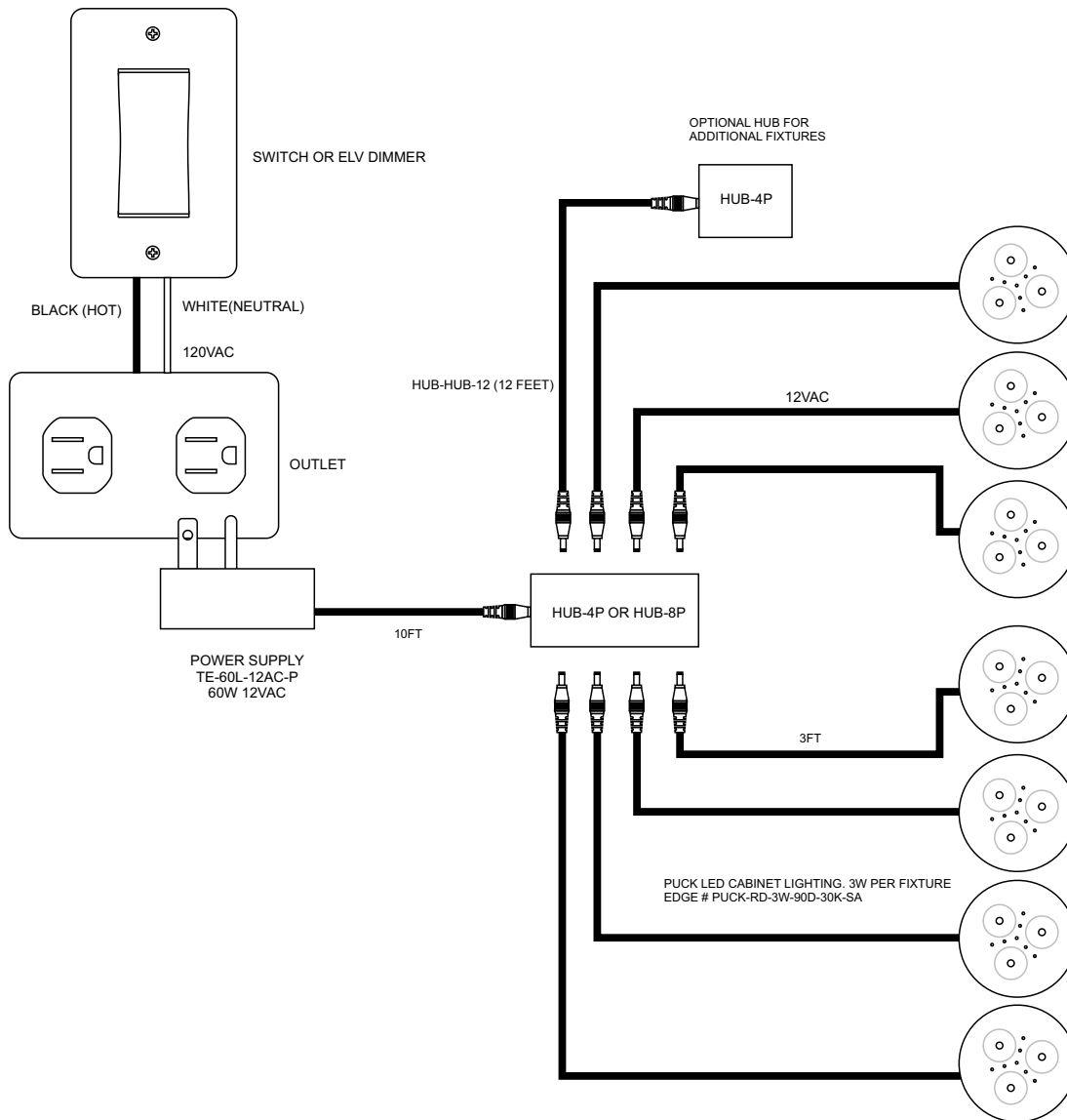
DATE:



**Application:** Electronic low-voltage dimming for 7 Puck LED fixtures

**Power Supply:** 60 watt, 120 volt input, 12 volt AC output **TE-60L-12AC-P**

**Dimming:** Dimmable with Lutron Diva #DVELV-300P or Skylark #SELV-300P standard electronic low voltage dimmers. AC power supplies dim down to 20% before flickering and slight buzzing  
See power supply spec sheet for additional details.



PROJECT:

FIXTURE TYPE:

DATE: