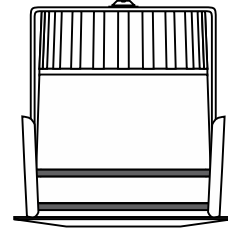


# Installation Instructions for Sun 3 Ceiling LED (Ceiling or Wall)

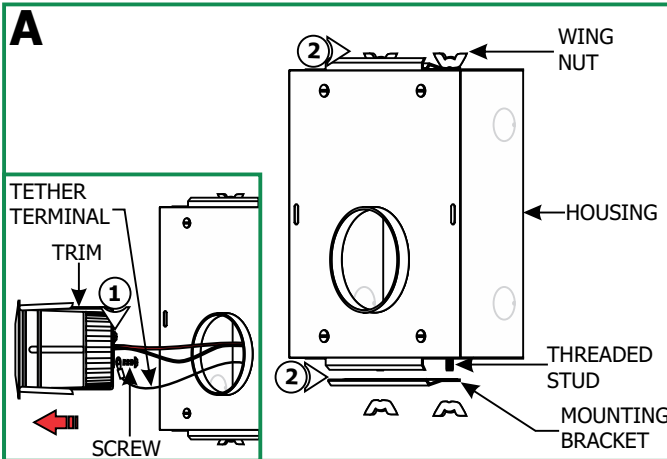
## IMPORTANT INFORMATION

- This product is ETL listed for indoor dry locations.
- This fixture is for wall and ceiling mount only.

**SAVE THESE INSTRUCTIONS!**

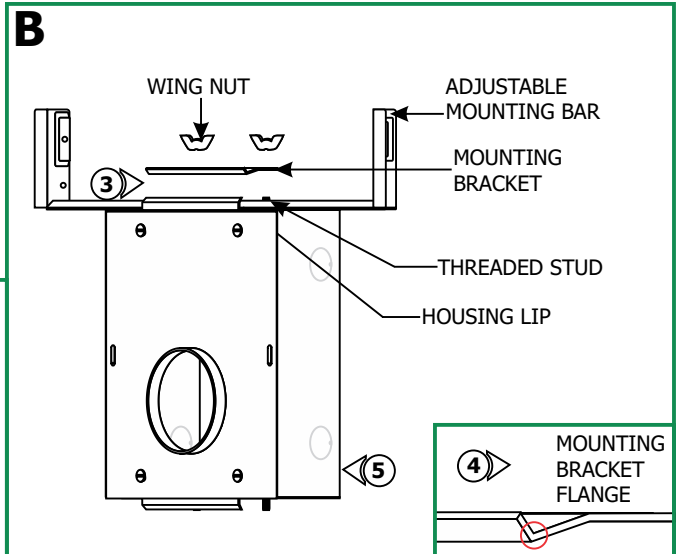


## Install the Sun3 Ceiling Housing



**1:** Carefully pull the trim out of the housing, and remove the Phillips screw on the tether terminal (safety cable) to release the trim.

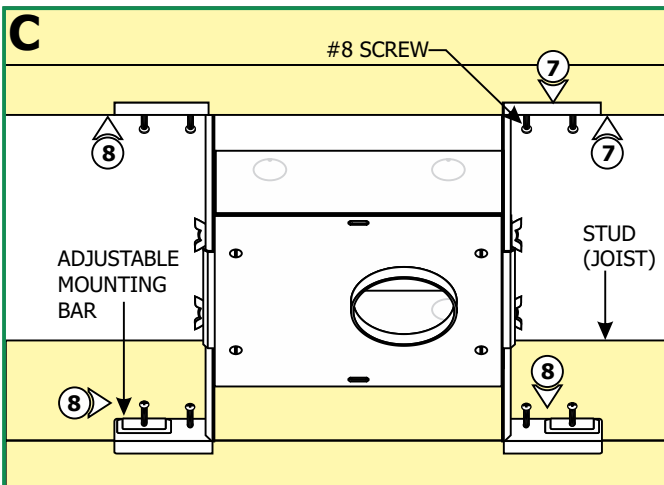
**2:** Loosen the two top and bottom wing nuts on the housing to remove the two mounting brackets.



**3:** Mount one adjustable mounting bar to the top of the housing by sliding it completely under the housing lip.

**4:** Replace the mounting bracket onto the threaded studs so that the flange faces the adjustable mounting bar. Tighten the wing nuts to secure the adjustable mounting bar in place.

**5:** Repeat steps 2 through 4 for the bottom of the housing.

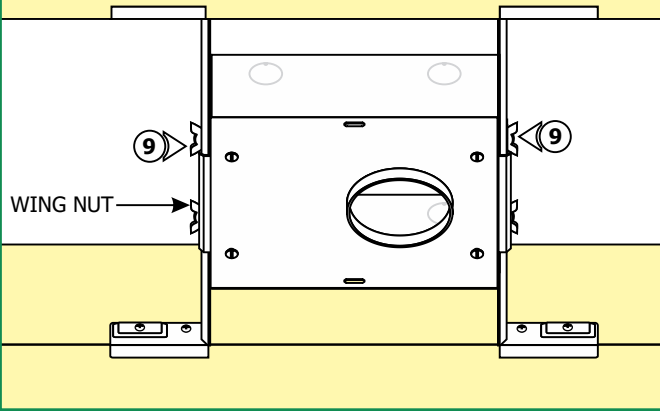


**NOTE:** The adjustable mounting bars mount to joists (studs) that are spaced 16" to 24" apart.

**6:** Select the location between the two studs (joist) for the housing to be mounted.

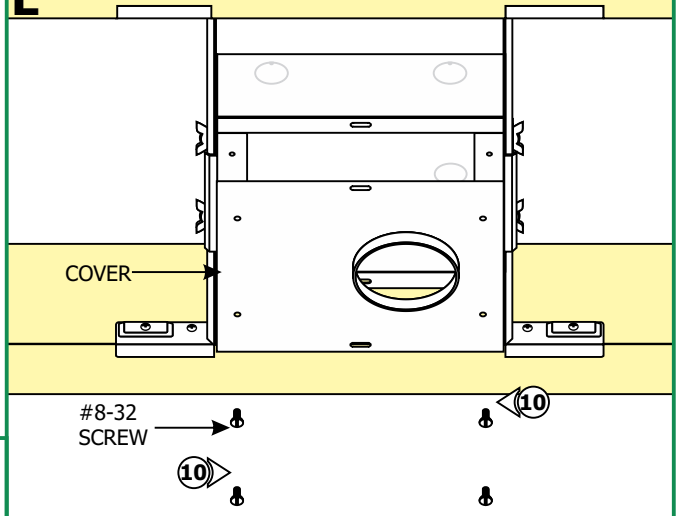
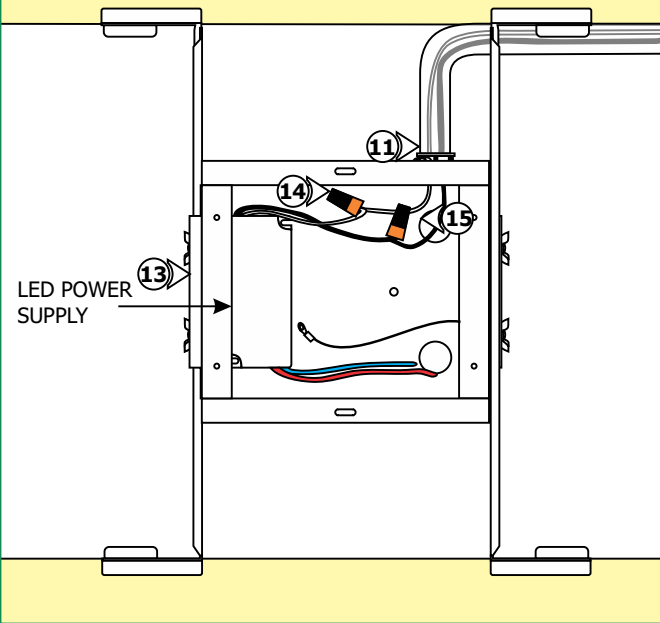
**7:** Place the adjustable mounting bars between the studs (joist).

**8:** Make sure the lips on the adjustable mounting bars are against the studs (joist). Secure the adjustable bars to the studs (joist) with the provided eight #8 screws.

**D**

**9:** Slide the housing to desired position. If necessary loosen the wing nuts to ease the sliding. After the desired position is achieved tighten all the wing nuts.

**10:** Loosen the four #8-32 screws on the front of the housing, to remove the cover.

**E****F**

**11:** Remove a knock out to install the power line conduit.

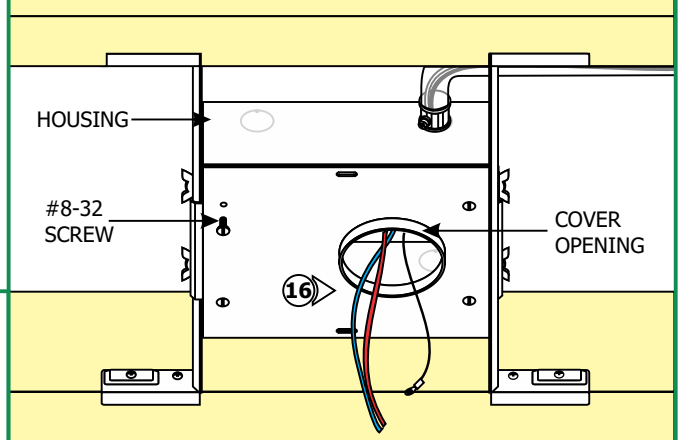
**12:** Install the conduit and run the power line wires to the housing.

**13:** Make sure that the housing is grounded in accordance with local electrical codes.

**14:** Connect the white LED power supply wire to the neutral power line wire with a wire nut.

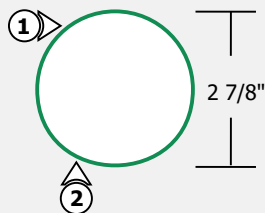
**15:** Connect the black LED power supply wire to the hot power line wire with a wire nut.

**16:** Feed the black & red output wires from the LED driver along with the tether through the cover hole. Mount the cover to the housing with the four #8-32 screws. **The hole should be over the tether and the solid side will cover the LED driver.**

**G**

# Install Drywall, Trim & Lamp

**H**

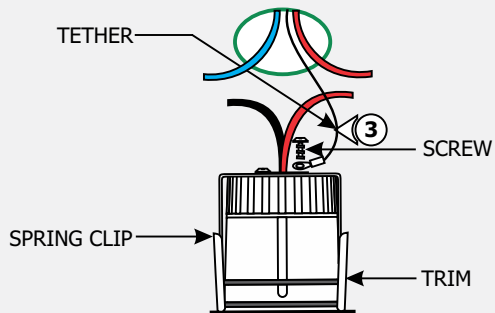


**1:** Mark a point on the drywall where the housing opening is going to be located.

**2:** Cut out the marked drywall location with a 2-7/8" metal hole saw bit (refer to [www.greenlee.com](http://www.greenlee.com) cat# 825-2-7/8).

**3:** After installing drywall and finishing it, align the tether terminal to the trim tab and secure it by replacing the Phillips screw.

**I**

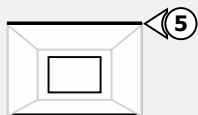
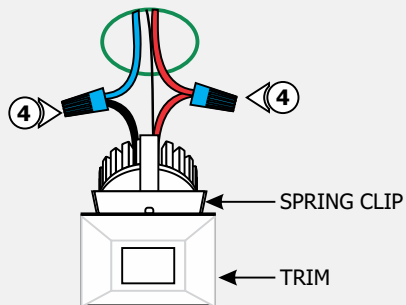


**4:** Connect each trim wire (either one) to one power wire in the electrical box with a wire nut.

**5:** Place all wires inside the housing and gently push the trim completely into the housing opening by squeezing the spring clips.

**NOTE:** Each fixture contains an integrated LED lamp. Each Sun 3 consumes 10 watts.

**J**



## Overall Wiring Diagram

